

KENDALL HOWARD ®

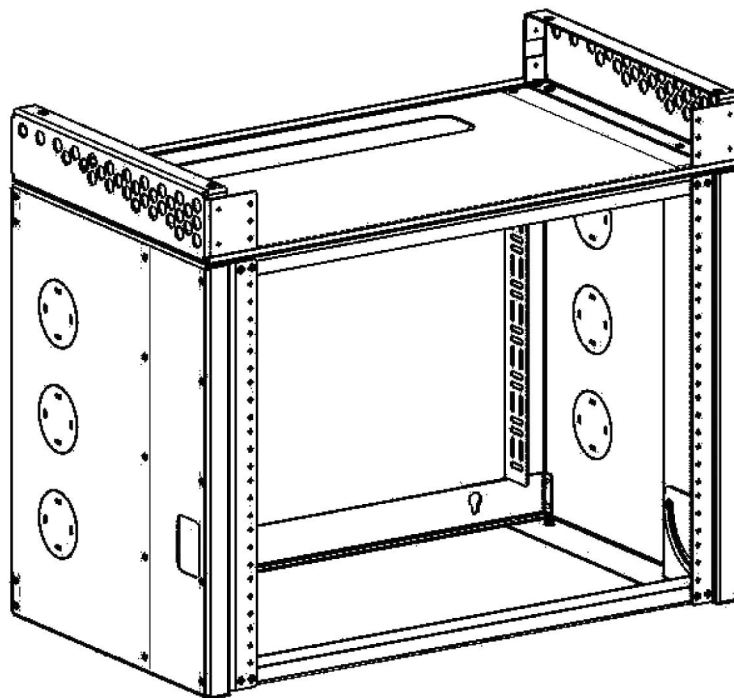
Installation / Assembly Instructions

Pivot Frame Wall Mount Rack Accessories

Part Numbers:

Pivot Frame Wall Mount Rack Cover - 1915-3-401-00

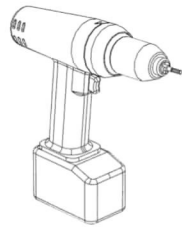
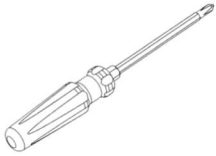
Pivot Frame Stationary Rackmount Brackets - 1915-3-402-00



Distributed by : i-Tech Company LLC

TOLL FREE: (888) 483-2418 • EMAIL: info@iTechLCD.com • WEB: www.iTechLCD.com

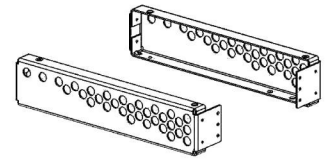
Tools needed:



Screwdriver or Drill

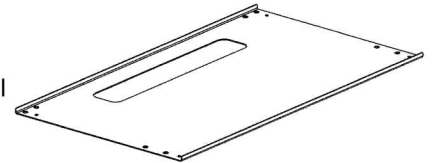
What's in the box?

Qty 1— Set of Stationary
Rackmount Brackets

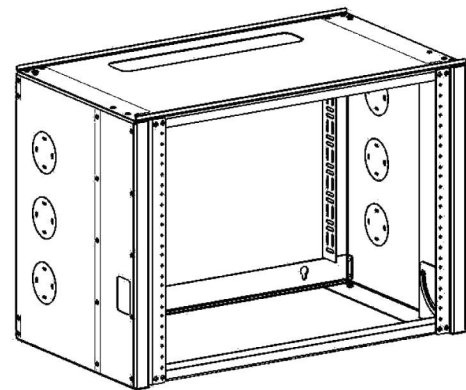
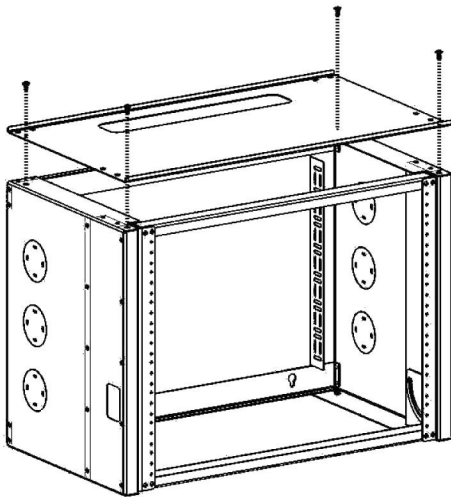


or

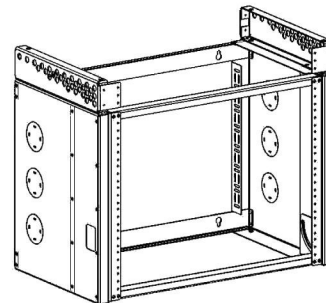
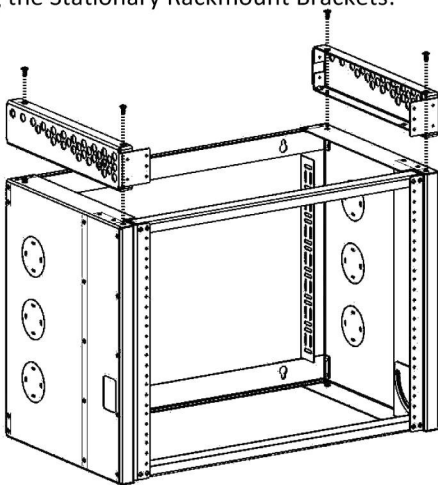
Qty 1 - Pivot Frame Wall
Mount Rack Cover



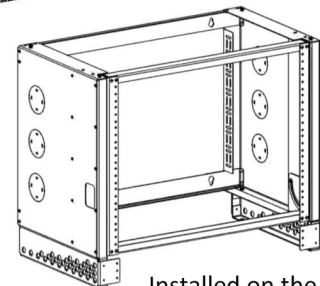
Installing the Pivot Frame Wall Mount Rack Cover:



Installing the Stationary Rackmount Brackets:



Installed on the top



Installed on the bottom



Distributed by : i-Tech Company LLC

TOLL FREE: (888) 483-2418 • EMAIL: info@iTechLCD.com • WEB: www.iTechLCD.com