

UNLESS OTHERWISE SPECIFIED:
DIMENSIONS ARE IN INCHES
TOLERANCES:
FRACTIONAL $\pm 1/8$
ANGULAR: BEND ± 1 DEGREE
TWO PLACE DECIMAL $\pm .03$
THREE PLACE DECIMAL $\pm .01$

Surface Area		NAME	DATE
MATERIAL		DRAWN	
FINISH		CHECKED	
		ENG APPR.	
		MFG APPR.	
		Q.A.	
		COMMENTS:	
DO NOT SCALE DRAWING			

KENDALL HOWARD

TITLE:
**22U LINIER AV CABINET
GLASS FRONT/VENTED REAR**

SIZE	DWG. NO.	REV
A	3100-3-024-22 WP	-

SCALE: 1:20 WEIGHT: 96.94 SHEET 1 OF 2

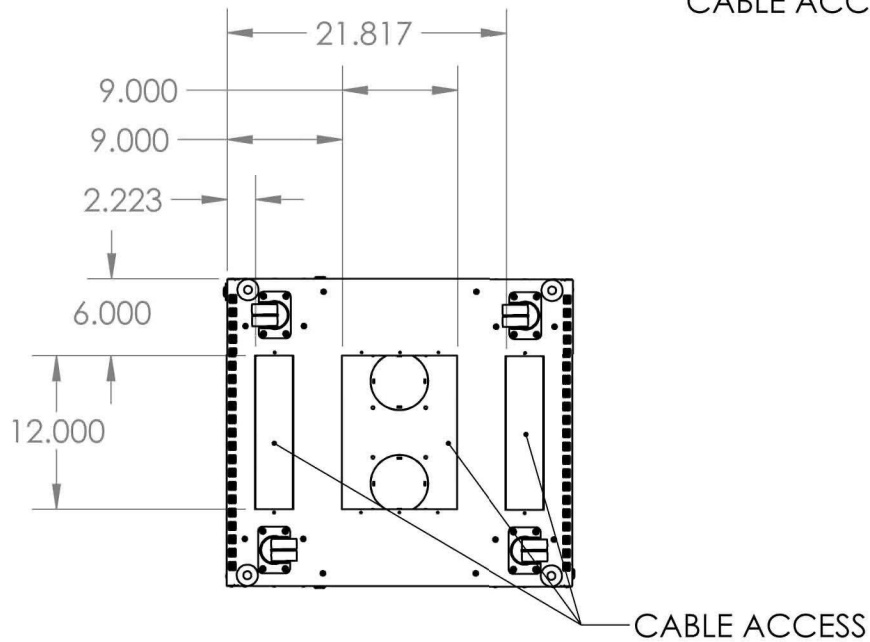


Distributed by : i-Tech Company LLC

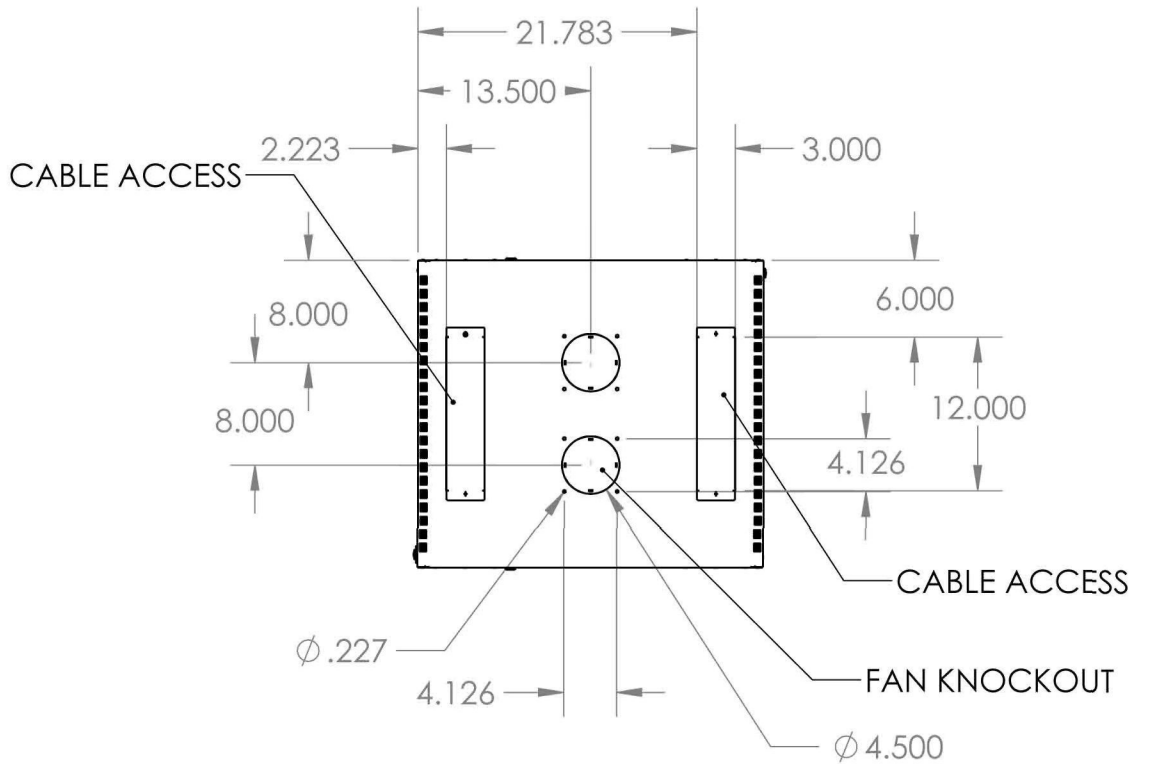
TOLL FREE: (888) 483-2418

• EMAIL: info@iTechLCD.com

• WEB: www.iTechLCD.com



VIEW A-A
SCALE 1 : 15
BOTTOM VIEW



VIEW B-B
SCALE 1 : 15
TOP VIEW

UNLESS OTHERWISE SPECIFIED:
DIMENSIONS ARE IN INCHES
TOLERANCES:
FRACTIONAL $\pm 1/8$
ANGULAR: BEND ± 1 DEGREE
TWO PLACE DECIMAL $\pm .03$
THREE PLACE DECIMAL $\pm .01$
Surface Area

MATERIAL

FINISH

DO NOT SCALE DRAWING

	NAME	DATE
DRAWN		
CHECKED		
ENG APPR.		
MFG APPR.		
Q.A.		
COMMENTS:		

KENDALL HOWARD

TITLE:
**22U LINIER AV CABINET
GLASS FRONT/VENTED REAR**

SIZE	DWG. NO.	REV
A	3100-3-024-22 WP	-
SCALE: 1:20	WEIGHT: 96.94	SHEET 2 OF 2



Distributed by : i-Tech Company LLC

TOLL FREE: (888) 483-2418

• EMAIL: info@iTechLCD.com

• WEB: www.iTechLCD.com