

VENTING FRONT, SIDES AND REAR, TOP AND BOTTOM

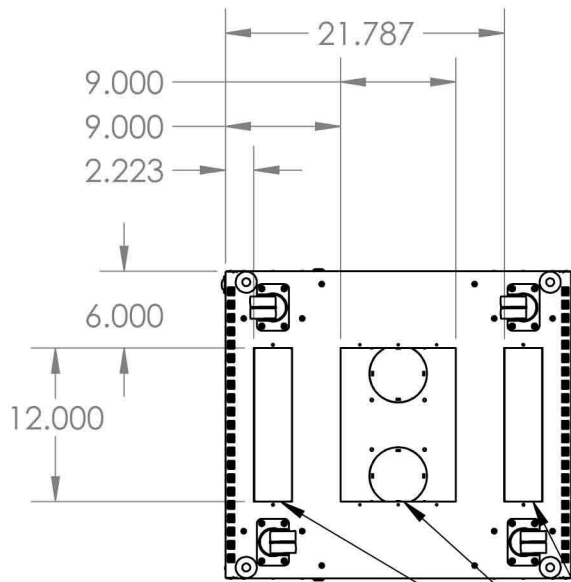
- NOTE:
1. 19" EIA RACK MOUNT COMPLIANT.
 2. RAILS ACCEPT 3/8" CAGENUT.
 3. BLACK POWDER COAT.



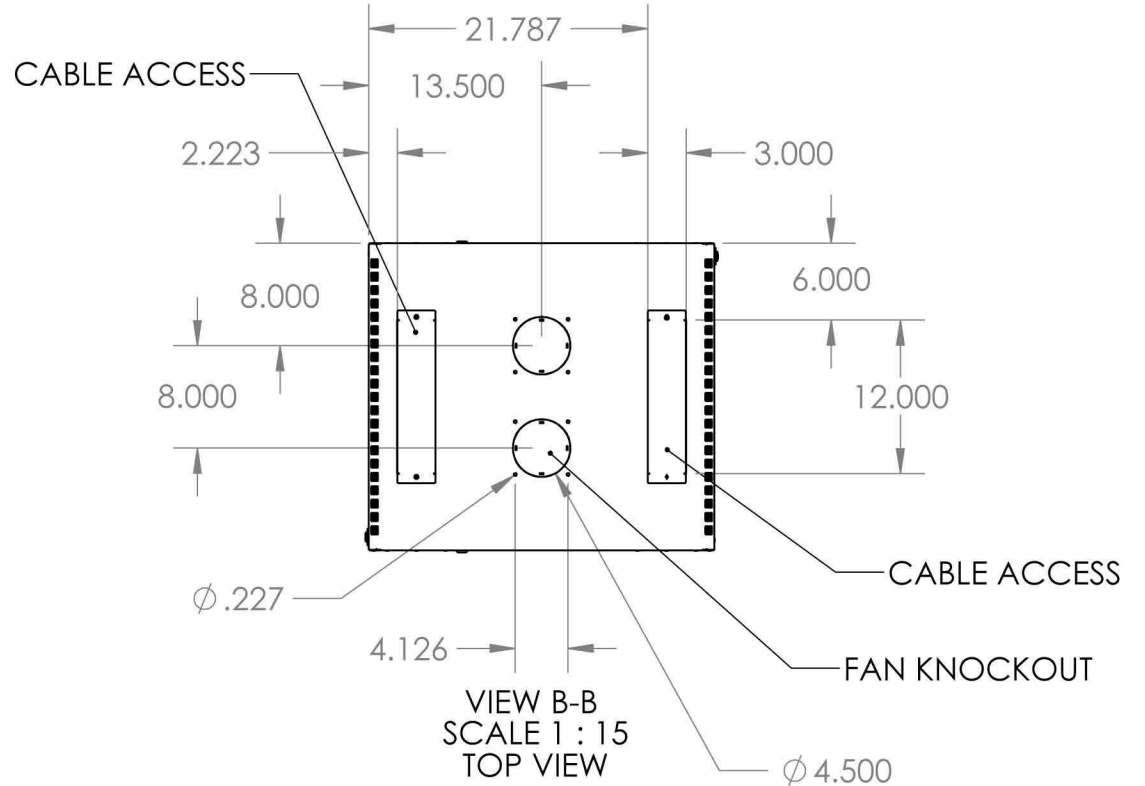
Distributed by : i-Tech Company LLC
 TOLL FREE: (888) 483-2418
 • EMAIL: info@iTechLCD.com
 • WEB: www.iTechLCD.com

| | | |
|--------------------------------------------------------------------------------------------------------------------------------------------------------------------------------|-----------|------|
| UNLESS OTHERWISE SPECIFIED: DIMENSIONS ARE IN INCHES TOLERANCES: FRACTIONAL ± 1/8 ANGULAR: BEND ± 1 DEGREE TWO PLACE DECIMAL ± .03 THREE PLACE DECIMAL ± .01 | NAME | DATE |
| | DRAWN | |
| | CHECKED | |
| | ENG APPR. | |
| | MFG APPR. | |
| MATERIAL | Q.A. | |
| FINISH | COMMENTS: | |
| DO NOT SCALE DRAWING | | |

| | | |
|---------------------------------------------------------|-------------------------|--------------|
| KENDALL HOWARD | | |
| TITLE: 27U LINIER AV GLASS FRONT/ VENTED REAR | | |
| SIZE | DWG. NO. | REV |
| A | 3100-3-024-27 WP | |
| SCALE: 1:20 WEIGHT: 109.89 | | SHEET 1 OF 2 |



VIEW A-A
SCALE 1 : 15
BOTTOM VIEW



VIEW B-B
SCALE 1 : 15
TOP VIEW



Distributed by : i-Tech Company LLC

TOLL FREE: (888) 483-2418

• EMAIL: info@iTechLCD.com

• WEB: www.iTechLCD.com

UNLESS OTHERWISE SPECIFIED:
DIMENSIONS ARE IN INCHES
TOLERANCES:
FRACTIONAL $\pm 1/8$
ANGULAR: BEND ± 1 DEGREE
TWO PLACE DECIMAL $\pm .03$
THREE PLACE DECIMAL $\pm .01$

| | |
|----------------------|--|
| Surface Area | |
| MATERIAL | |
| FINISH | |
| DO NOT SCALE DRAWING | |

| | NAME | DATE |
|-----------|------|------|
| DRAWN | | |
| CHECKED | | |
| ENG APPR. | | |
| MFG APPR. | | |
| Q.A. | | |
| COMMENTS: | | |

| | | |
|-------------------------------------------------------------|-------------------------------------|--------------|
| KENDALL HOWARD | | |
| TITLE: 27U LINIER AV GLASS FRONT/ VENTED REAR | | |
| SIZE A | DWG. NO. 3100-3-024-27 WP | REV |
| SCALE: 1:20 WEIGHT: 109.89 | | SHEET 2 OF 2 |