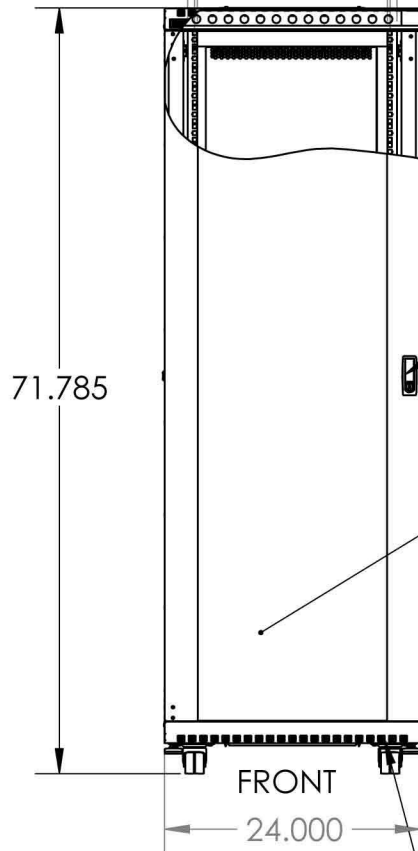
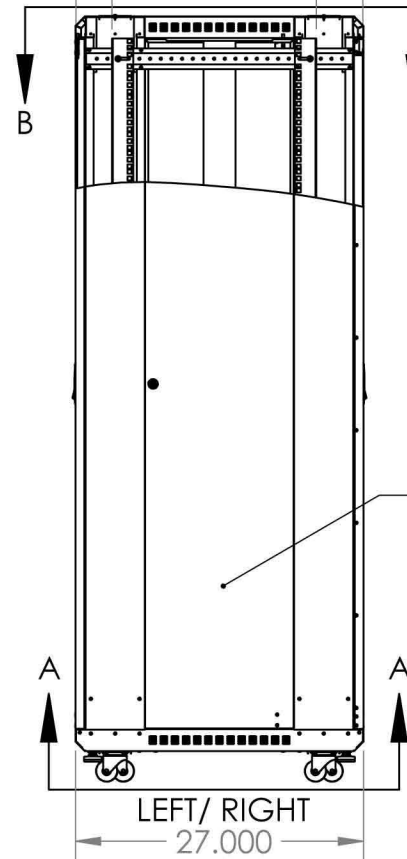


19.636 MAX  
18.312  
HOLE TO HOLE  
17.812  
INSIDE RAIL



1.210 MIN  
DOOR CLEARANCE



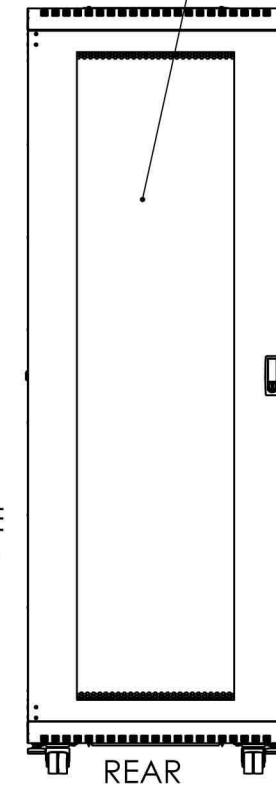
KEYED LOCK  
FRONT, SIDES  
AND REAR

HINGED/  
REMOVABLE  
GLASS DOOR

VENTING FRONT,  
SIDES AND REAR,  
TOP AND BOTTOM

HINGED/  
REMOVABLE  
SIDE PANELS

HINGED/  
REMOVABLE  
PERFORATED  
DOOR



- NOTE:
1. 19" EIA RACK MOUNT COMPLIANT.
  2. RAILS ACCEPT 3/8" CAGENUT.
  3. BLACK POWDER COAT.



Distributed by : i-Tech Company LLC

TOLL FREE: (888) 483-2418

• EMAIL: [info@iTechLCD.com](mailto:info@iTechLCD.com)

• WEB: [www.iTechLCD.com](http://www.iTechLCD.com)

UNLESS OTHERWISE SPECIFIED:  
DIMENSIONS ARE IN INCHES  
TOLERANCES:  
FRACTIONAL  $\pm 1/8$   
ANGULAR: BEND  $\pm 1$  DEGREE  
TWO PLACE DECIMAL  $\pm .03$   
THREE PLACE DECIMAL  $\pm .01$   
Surface Area

MATERIAL

FINISH

DO NOT SCALE DRAWING

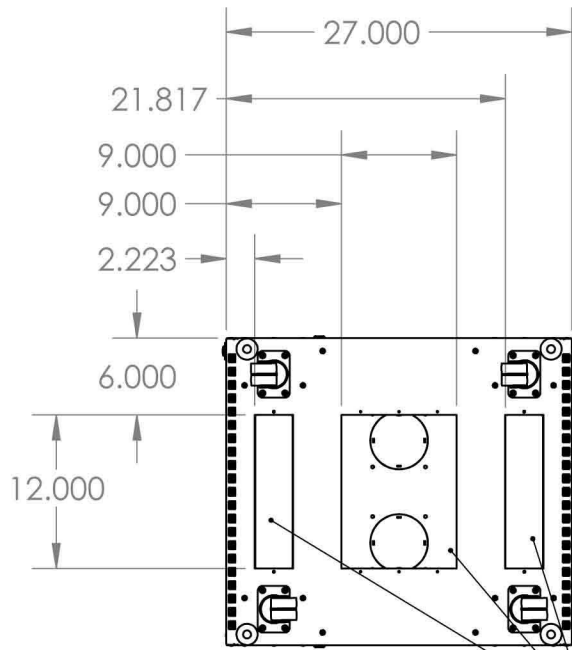
	NAME	DATE
DRAWN		
CHECKED		
ENG APPR.		
MFG APPR.		
Q.A.		
COMMENTS:		

**KENDALL HOWARD**

TITLE:  
**37U LINIER AV GLASS  
FRONT/ VENTED REAR**

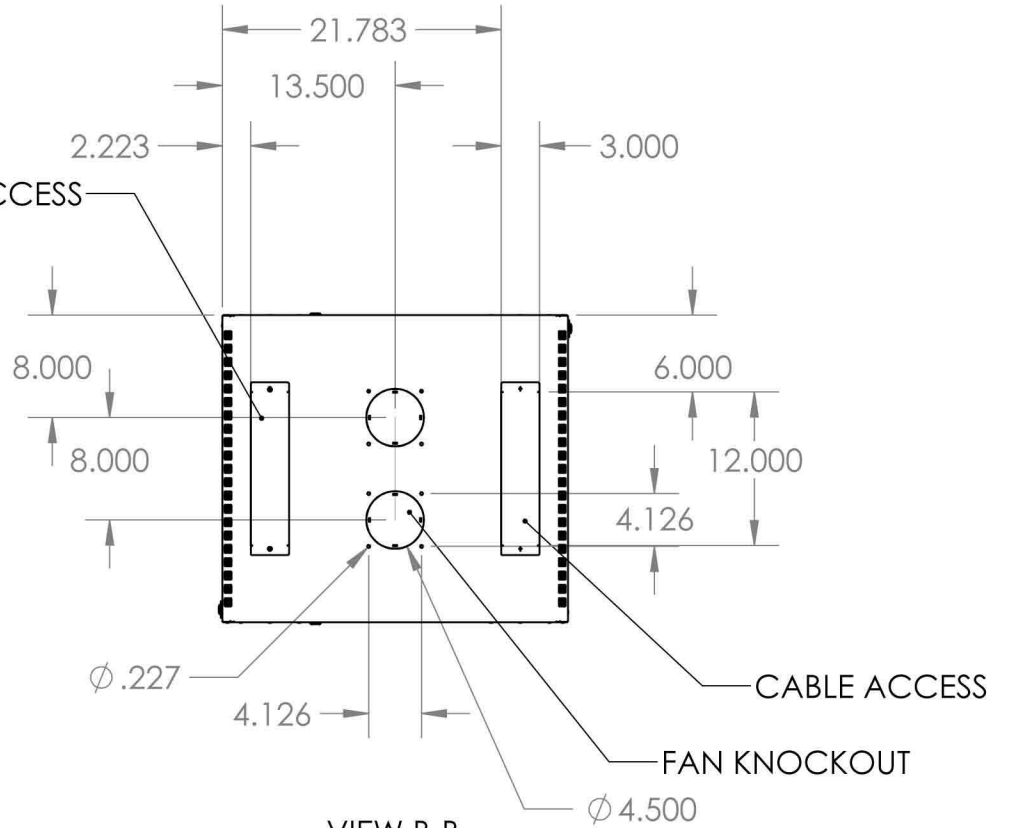
SIZE	DWG. NO.	REV
<b>A</b>	<b>3100-3-024-37 WP</b>	

SCALE: 1:20 WEIGHT: 135.96 SHEET 1 OF 2



VIEW A-A  
SCALE 1 : 15  
BOTTOM VIEW

CABLE ACCESS



VIEW B-B  
SCALE 1 : 15  
TOP VIEW



Distributed by : i-Tech Company LLC

TOLL FREE: (888) 483-2418

• EMAIL: [info@iTechLCD.com](mailto:info@iTechLCD.com)

• WEB: [www.iTechLCD.com](http://www.iTechLCD.com)

UNLESS OTHERWISE SPECIFIED:  
DIMENSIONS ARE IN INCHES  
TOLERANCES:  
FRACTIONAL  $\pm 1/8$   
ANGULAR: BEND  $\pm 1$  DEGREE  
TWO PLACE DECIMAL  $\pm .03$   
THREE PLACE DECIMAL  $\pm .01$

Surface Area			
MATERIAL			
FINISH			
DO NOT SCALE DRAWING			

	NAME	DATE
DRAWN		
CHECKED		
ENG APPR.		
MFG APPR.		
Q.A.		
COMMENTS:		

<b>KENDALL HOWARD</b>		
TITLE: <b>37U LINIER AV GLASS FRONT/ VENTED REAR</b>		
SIZE <b>A</b>	DWG. NO. <b>3100-3-024-37 WP</b>	REV
SCALE: 1:20	WEIGHT: 135.96	SHEET 2 OF 2