

UNLESS OTHERWISE SPECIFIED:
DIMENSIONS ARE IN INCHES
TOLERANCES:
FRACTIONAL ± 1/8
ANGULAR: BEND ± 1 DEGREE
TWO PLACE DECIMAL ± .03
THREE PLACE DECIMAL ± .01

Surface Area	NAME	DATE
MATERIAL	DRAWN	
FINISH	CHECKED	
	ENG APPR.	
	MFG APPR.	
	Q.A.	
	COMMENTS:	
DO NOT SCALE DRAWING		

KENDALL HOWARD

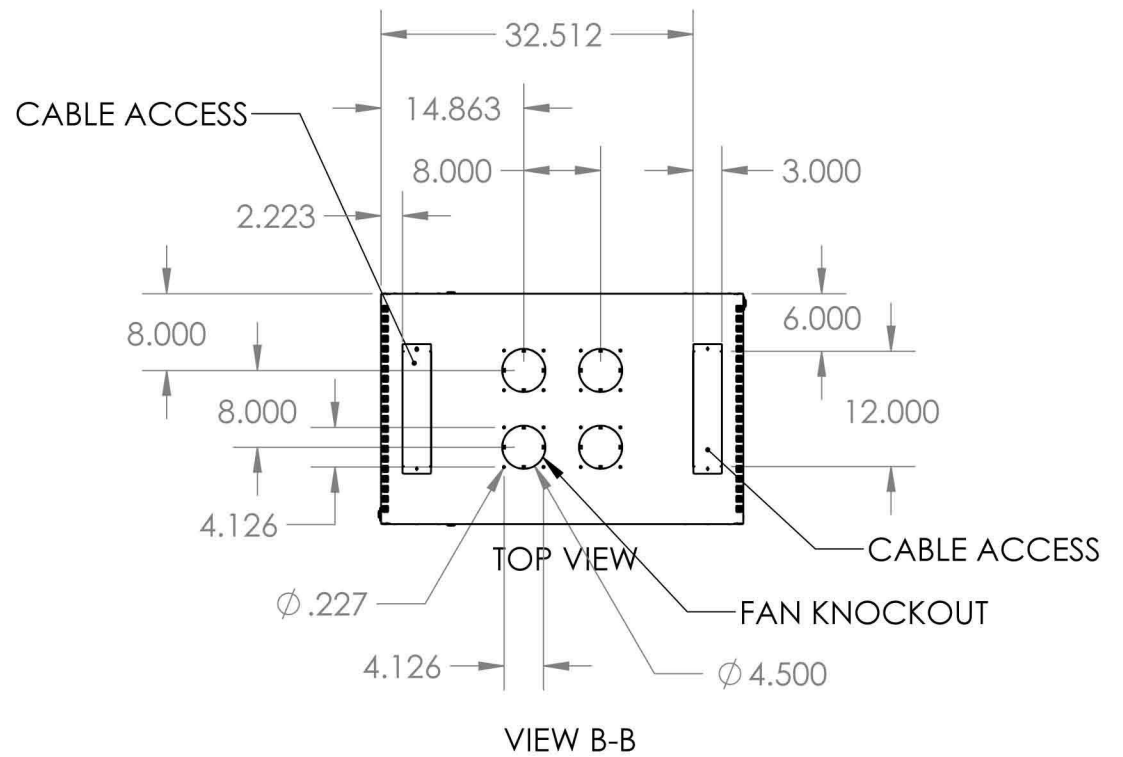
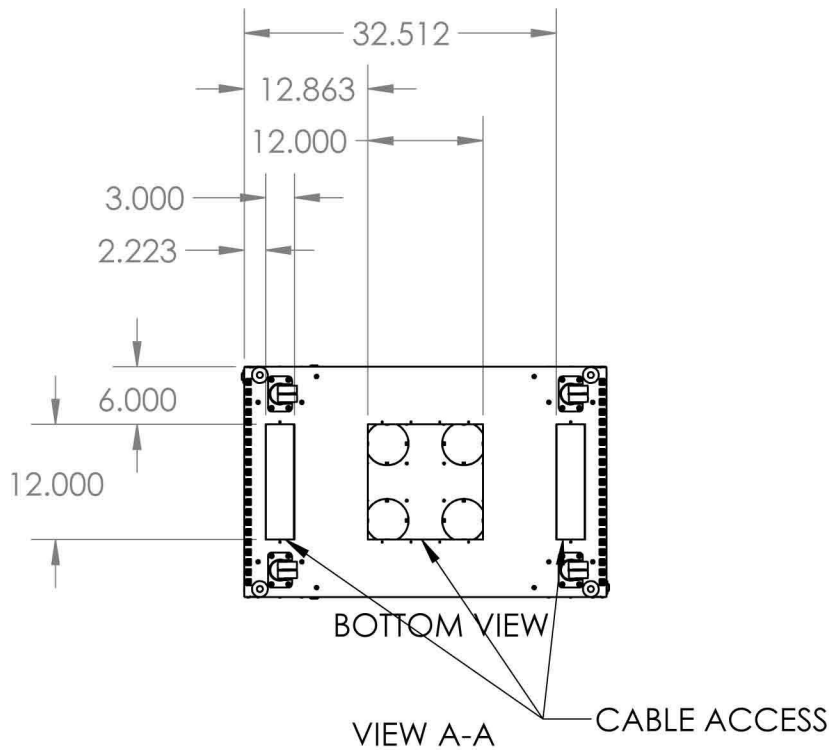
TITLE:
22U LINIER FS GLASS FRONT/ SOLID REAR

SIZE	DWG. NO.	REV
A	3101-3-001-22 WP	

SCALE: 1:20 WEIGHT: 113.62 SHEET 1 OF 2



Distributed by : i-Tech Company LLC
TOLL FREE: (888) 483-2418
• EMAIL: info@iTechLCD.com
• WEB: www.iTechLCD.com



Distributed by : i-Tech Company LLC

TOLL FREE: (888) 483-2418

• EMAIL: info@iTechLCD.com

• WEB: www.iTechLCD.com

UNLESS OTHERWISE SPECIFIED:
DIMENSIONS ARE IN INCHES
TOLERANCES:
FRACTIONAL $\pm 1/8$
ANGULAR: BEND ± 1 DEGREE
TWO PLACE DECIMAL $\pm .03$
THREE PLACE DECIMAL $\pm .01$

Surface Area

MATERIAL

FINISH

DO NOT SCALE DRAWING

	NAME	DATE
DRAWN		
CHECKED		
ENG APPR.		
MFG APPR.		
Q.A.		
COMMENTS:		

KENDALL HOWARD

TITLE:
**22U LINIER FS GLASS
FRONT/ SOLID REAR**

SIZE	DWG. NO.	REV
A	3101-3-001-22 WP	

SCALE: 1:20 WEIGHT: 113.62 SHEET 2 OF 2