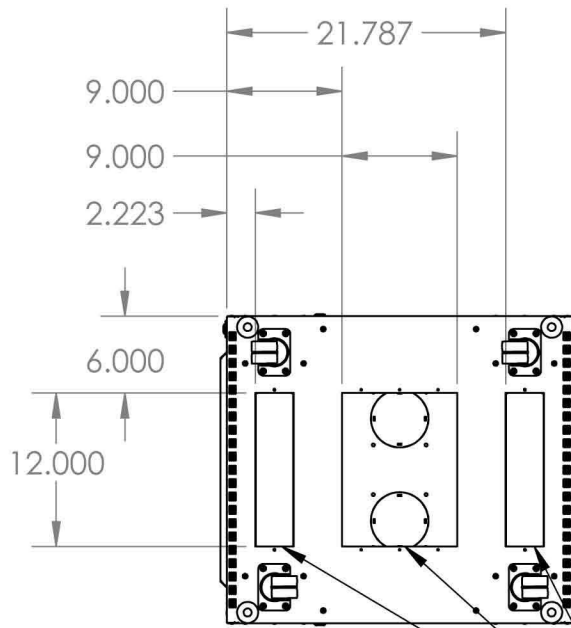


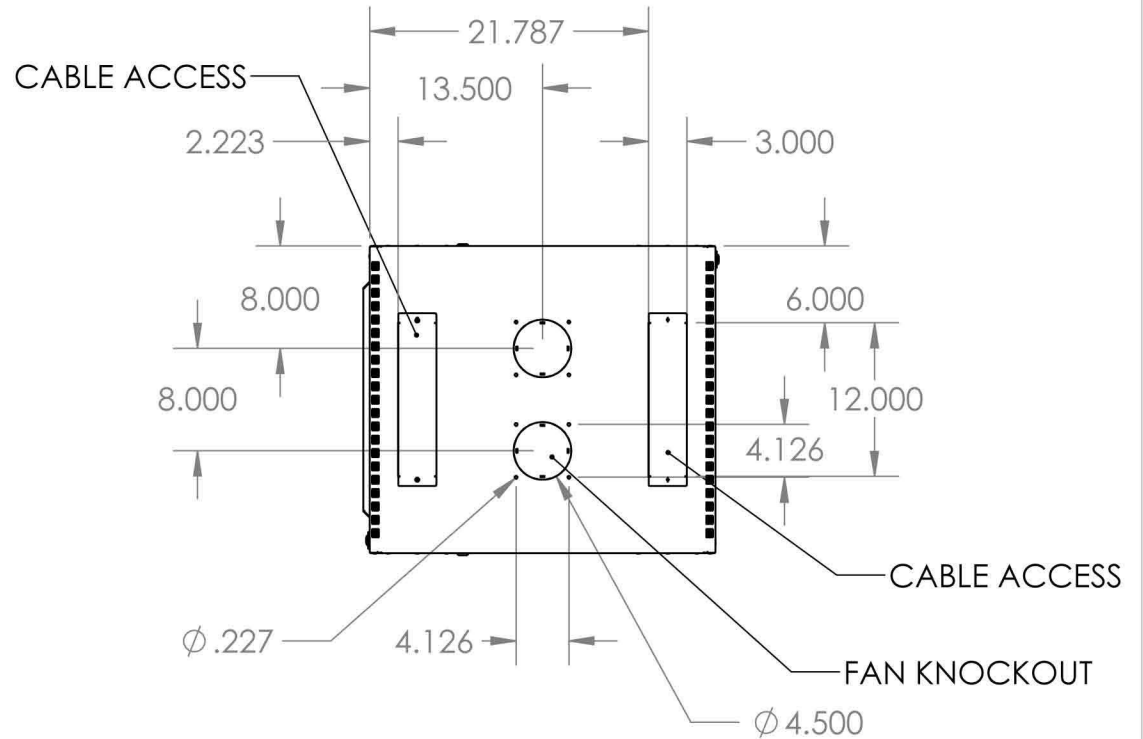
Distributed by : i-Tech Company LLC
 TOLL FREE: (888) 483-2418
 • EMAIL: info@iTechLCD.com
 • WEB: www.iTechLCD.com

UNLESS OTHERWISE SPECIFIED: DIMENSIONS ARE IN INCHES TOLERANCES: FRACTIONAL ±1/8 ANGULAR: BEND ±1 DEGREE TWO PLACE DECIMAL ±.03 THREE PLACE DECIMAL ±.01	NAME	DATE
	DRAWN	
	CHECKED	
	ENG APPR.	
	MFG APPR.	
MATERIAL	Q.A.	
FINISH	COMMENTS:	
DO NOT SCALE DRAWING		

KENDALL HOWARD		
TITLE: 37U LINIER AV CONVEX FRONT/ GLASS REAR		
SIZE	DWG. NO.	REV
A	3102-3-024-37 WP	
SCALE: 1:20 WEIGHT: 136.24 SHEET 1 OF 2		



VIEW A-A
SCALE 1 : 15
BOTTOM VIEW



VIEW B-B
SCALE 1 : 15
TOP VIEW



Distributed by : i-Tech Company LLC

TOLL FREE: (888) 483-2418

• EMAIL: info@iTechLCD.com

• WEB: www.iTechLCD.com

UNLESS OTHERWISE SPECIFIED:
DIMENSIONS ARE IN INCHES
TOLERANCES:
FRACTIONAL $\pm 1/8$
ANGULAR: BEND ± 1 DEGREE
TWO PLACE DECIMAL $\pm .03$
THREE PLACE DECIMAL $\pm .01$

Surface Area

MATERIAL

FINISH

DO NOT SCALE DRAWING

	NAME	DATE
DRAWN		
CHECKED		
ENG APPR.		
MFG APPR.		
Q.A.		

COMMENTS:

KENDALL HOWARD

TITLE:
**37U LINIER AV CONVEX
FRONT/ GLASS REAR**

SIZE	DWG. NO.	REV
A	3102-3-024-37 WP	

SCALE: 1:20 WEIGHT: 136.24 SHEET 2 OF 2