

Distributed by : i-Tech Company LLC
 TOLL FREE: (888) 483-2418
 • EMAIL: info@iTechLCD.com
 • WEB: www.iTechLCD.com



UNLESS OTHERWISE SPECIFIED:
 DIMENSIONS ARE IN INCHES
 TOLERANCES:
 FRACTIONAL ± 1/8
 ANGULAR: BEND ± 1 DEGREE
 TWO PLACE DECIMAL ± .03
 THREE PLACE DECIMAL ± .01
 Surface Area

MATERIAL

FINISH

DO NOT SCALE DRAWING

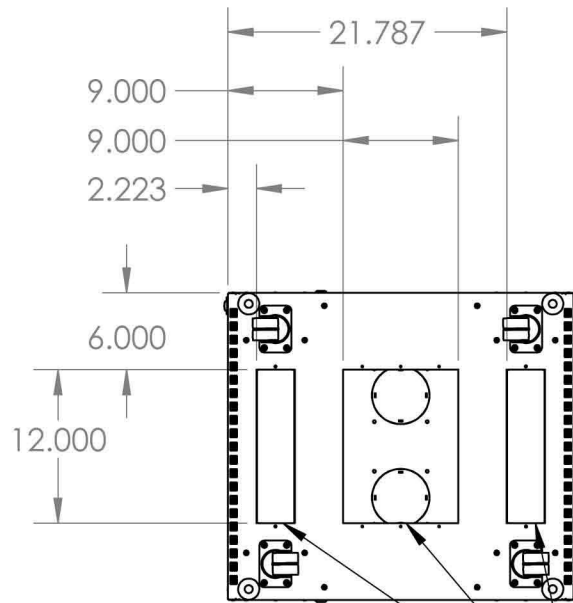
	NAME	DATE
DRAWN		
CHECKED		
ENG APPR.		
MFG APPR.		
Q.A.		
COMMENTS:		

KENDALL HOWARD

TITLE:
42U LINIER AV GLASS FRONT/ GLASS REAR

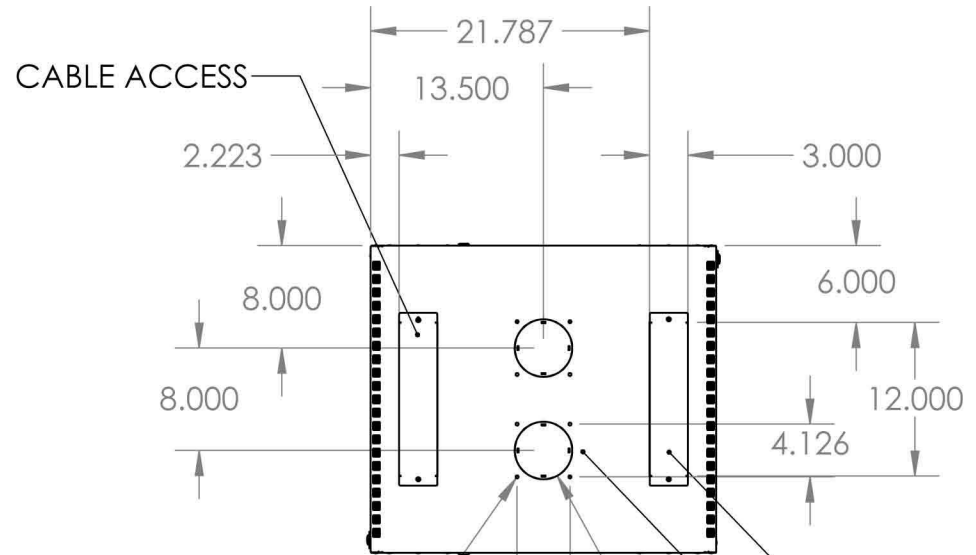
SIZE	DWG. NO.	REV
A	3103-3-024-42 WP	

SCALE: 1:20 WEIGHT: 147.45 SHEET 1 OF 2



VIEW A-A
SCALE 1 : 15
BOTTOM VIEW

CABLE ACCESS



VIEW B-B
SCALE 1 : 15
TOP VIEW

Ø 4.500

Ø .227

CABLE ACCESS

FAN KNOCKOUT

UNLESS OTHERWISE SPECIFIED:
DIMENSIONS ARE IN INCHES
TOLERANCES:
FRACTIONAL ± 1/8
ANGULAR: BEND ± 1 DEGREE
TWO PLACE DECIMAL ± .03
THREE PLACE DECIMAL ± .01

Surface Area			
MATERIAL			
FINISH			
DO NOT SCALE DRAWING			

	NAME	DATE
DRAWN		
CHECKED		
ENG APPR.		
MFG APPR.		
Q.A.		
COMMENTS:		

KENDALL HOWARD

TITLE:
**42U LINIER AV GLASS
FRONT/ GLASS REAR**

SIZE	DWG. NO.	REV
A	3103-3-024-42 WP	

SCALE: 1:20 WEIGHT: 147.45 SHEET 2 OF 2



Distributed by : i-Tech Company LLC

TOLL FREE: (888) 483-2418

• EMAIL: info@iTechLCD.com

• WEB: www.iTechLCD.com