

UNLESS OTHERWISE SPECIFIED:  
DIMENSIONS ARE IN INCHES  
TOLERANCES:  
FRACTIONAL  $\pm 1/8$   
ANGULAR: BEND  $\pm 1$  DEGREE  
TWO PLACE DECIMAL  $\pm .03$   
THREE PLACE DECIMAL  $\pm .01$

MATERIAL

FINISH

DO NOT SCALE DRAWING

	NAME	DATE
DRAWN		
CHECKED		
ENG APPR.		
MFG APPR.		
Q.A.		
COMMENTS:		

**KENDALL HOWARD**

TITLE:  
**27U LINIER AV SOLID  
FRONT/ CONVEX REAR**

SIZE	DWG. NO.	REV
<b>A</b>	<b>3104-3-024-27 WP</b>	

SCALE: 1:20 WEIGHT: 111.10 SHEET 1 OF 2

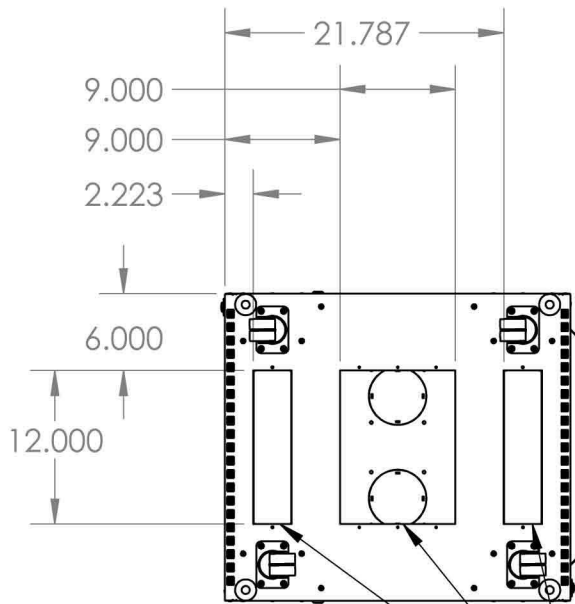


Distributed by : i-Tech Company LLC

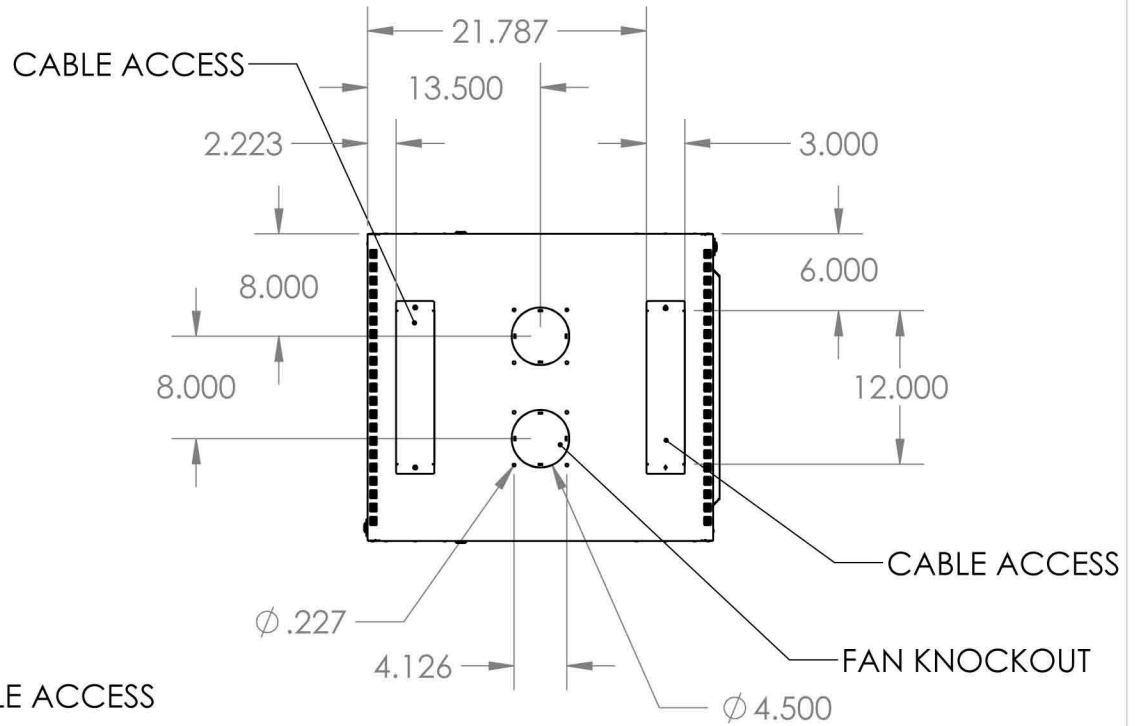
TOLL FREE: (888) 483-2418

• EMAIL: [info@iTechLCD.com](mailto:info@iTechLCD.com)

• WEB: [www.iTechLCD.com](http://www.iTechLCD.com)



VIEW A-A  
SCALE 1 : 15  
BOTTOM VIEW



VIEW B-B  
SCALE 1 : 15  
TOP VIEW



Distributed by : i-Tech Company LLC

TOLL FREE: (888) 483-2418

• EMAIL: [info@iTechLCD.com](mailto:info@iTechLCD.com)

• WEB: [www.iTechLCD.com](http://www.iTechLCD.com)

UNLESS OTHERWISE SPECIFIED:  
DIMENSIONS ARE IN INCHES  
TOLERANCES:  
FRACTIONAL  $\pm 1/8$   
ANGULAR: BEND  $\pm 1$  DEGREE  
TWO PLACE DECIMAL  $\pm .03$   
THREE PLACE DECIMAL  $\pm .01$

Surface Area			
MATERIAL			
FINISH			
DO NOT SCALE DRAWING			

	NAME	DATE
DRAWN		
CHECKED		
ENG APPR.		
MFG APPR.		
Q.A.		
COMMENTS:		

<b>KENDALL HOWARD</b>		
TITLE: 27U LINIER AV SOLID FRONT/ CONVEX REAR		
SIZE <b>A</b>	DWG. NO. 3104-3-024-27 WP	REV
SCALE: 1:20	WEIGHT: 111.10	SHEET 2 OF 2