

VENTING FRONT,  
SIDES AND REAR,  
TOP AND BOTTOM

UNLESS OTHERWISE SPECIFIED:  
DIMENSIONS ARE IN INCHES  
TOLERANCES:  
FRACTIONAL ± 1/8  
ANGULAR: BEND ± 1 DEGREE  
TWO PLACE DECIMAL ± .03  
THREE PLACE DECIMAL ± .01

Surface Area	NAME	DATE
MATERIAL	DRAWN	
FINISH	CHECKED	
	ENG APPR.	
	MFG APPR.	
	Q.A.	
	COMMENTS:	
DO NOT SCALE DRAWING		

**KENDALL HOWARD**

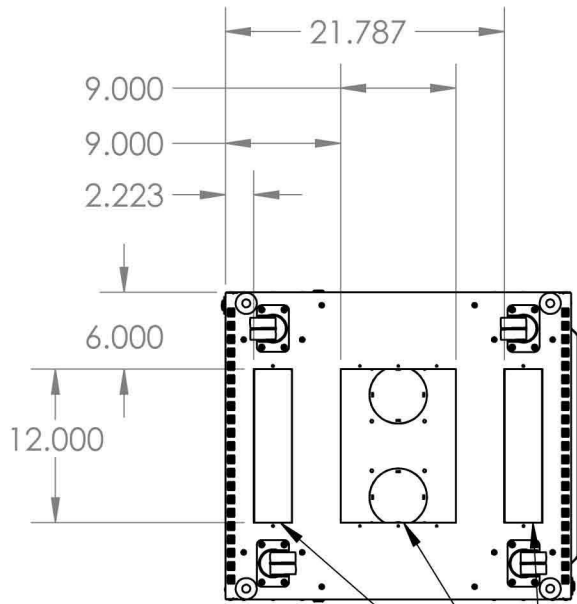
TITLE:  
**42U LINIER AV SOLID  
FRONT/ CONVEX REAR**

SIZE <b>A</b>	DWG. NO. <b>3104-3-024-42 WP</b>	REV
------------------	-------------------------------------	-----

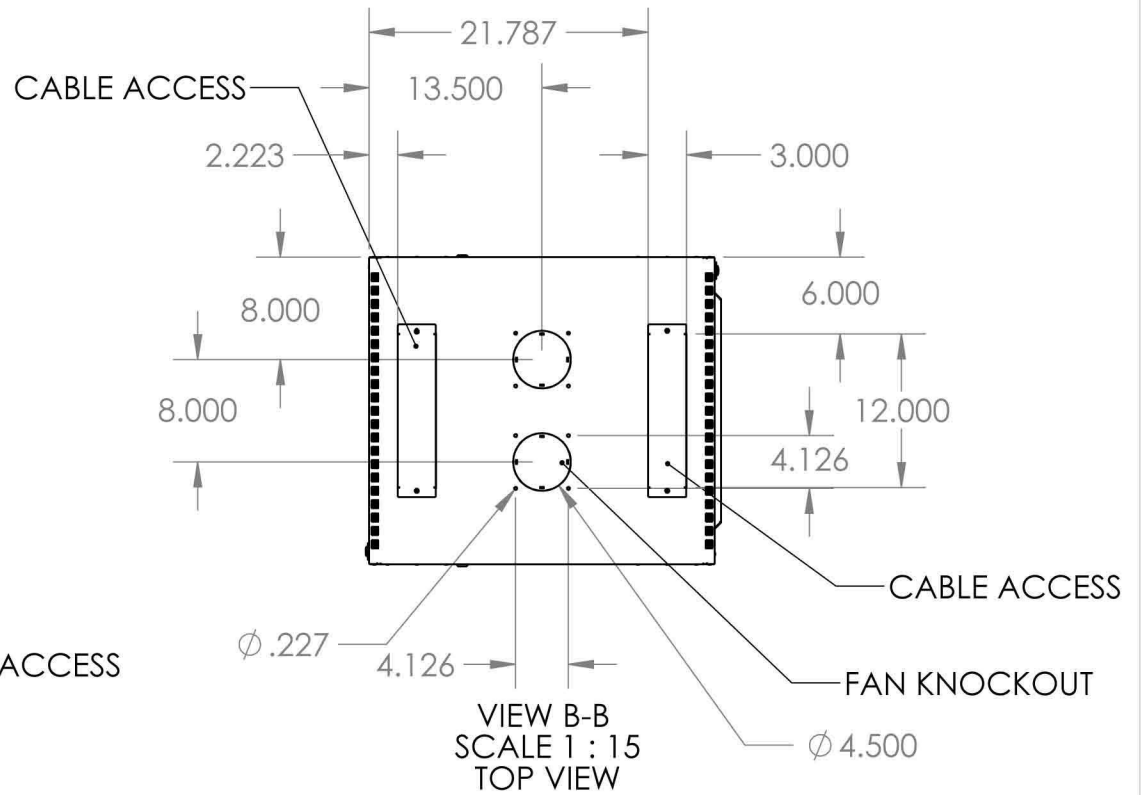
SCALE: 1:20 WEIGHT: 150.49 SHEET 1 OF 2



Distributed by : i-Tech Company LLC  
TOLL FREE: (888) 483-2418  
• EMAIL: [info@iTechLCD.com](mailto:info@iTechLCD.com)  
• WEB: [www.iTechLCD.com](http://www.iTechLCD.com)



VIEW A-A  
SCALE 1 : 15  
BOTTOM VIEW



VIEW B-B  
SCALE 1 : 15  
TOP VIEW



Distributed by : i-Tech Company LLC  
 TOLL FREE: (888) 483-2418  
 • EMAIL: [info@iTechLCD.com](mailto:info@iTechLCD.com)  
 • WEB: [www.iTechLCD.com](http://www.iTechLCD.com)

UNLESS OTHERWISE SPECIFIED:  
 DIMENSIONS ARE IN INCHES  
 TOLERANCES:  
 FRACTIONAL  $\pm 1/8$   
 ANGULAR: BEND  $\pm 1$  DEGREE  
 TWO PLACE DECIMAL  $\pm .03$   
 THREE PLACE DECIMAL  $\pm .01$

Surface Area	
MATERIAL	
FINISH	
DO NOT SCALE DRAWING	

	NAME	DATE
DRAWN		
CHECKED		
ENG APPR.		
MFG APPR.		
Q.A.		
COMMENTS:		

**KENDALL HOWARD**

TITLE:  
**42U LINIER AV SOLID  
 FRONT/ CONVEX REAR**

SIZE	DWG. NO.	REV
<b>A</b>	<b>3104-3-024-42 WP</b>	
SCALE: 1:20	WEIGHT: 150.49	SHEET 2 OF 2