

Distributed by : i-Tech Company LLC

TOLL FREE: (888) 483-2418

• EMAIL: [info@iTechLCD.com](mailto:info@iTechLCD.com)

• WEB: [www.iTechLCD.com](http://www.iTechLCD.com)

UNLESS OTHERWISE SPECIFIED:  
DIMENSIONS ARE IN INCHES  
TOLERANCES:  
FRACTIONAL ± 1/8  
ANGULAR: BEND ± 1 DEGREE  
TWO PLACE DECIMAL ± .03  
THREE PLACE DECIMAL ± .01

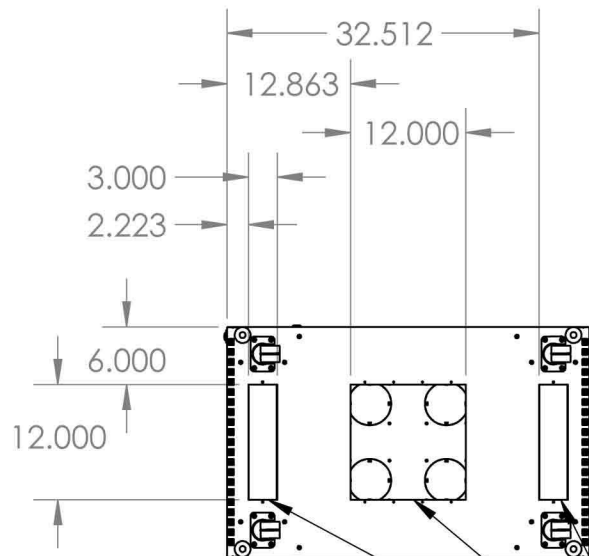
Surface Area	NAME	DATE
MATERIAL	DRAWN	
FINISH	CHECKED	
	ENG APPR.	
	MFG APPR.	
	Q.A.	
	COMMENTS:	
DO NOT SCALE DRAWING		

**KENDALL HOWARD**

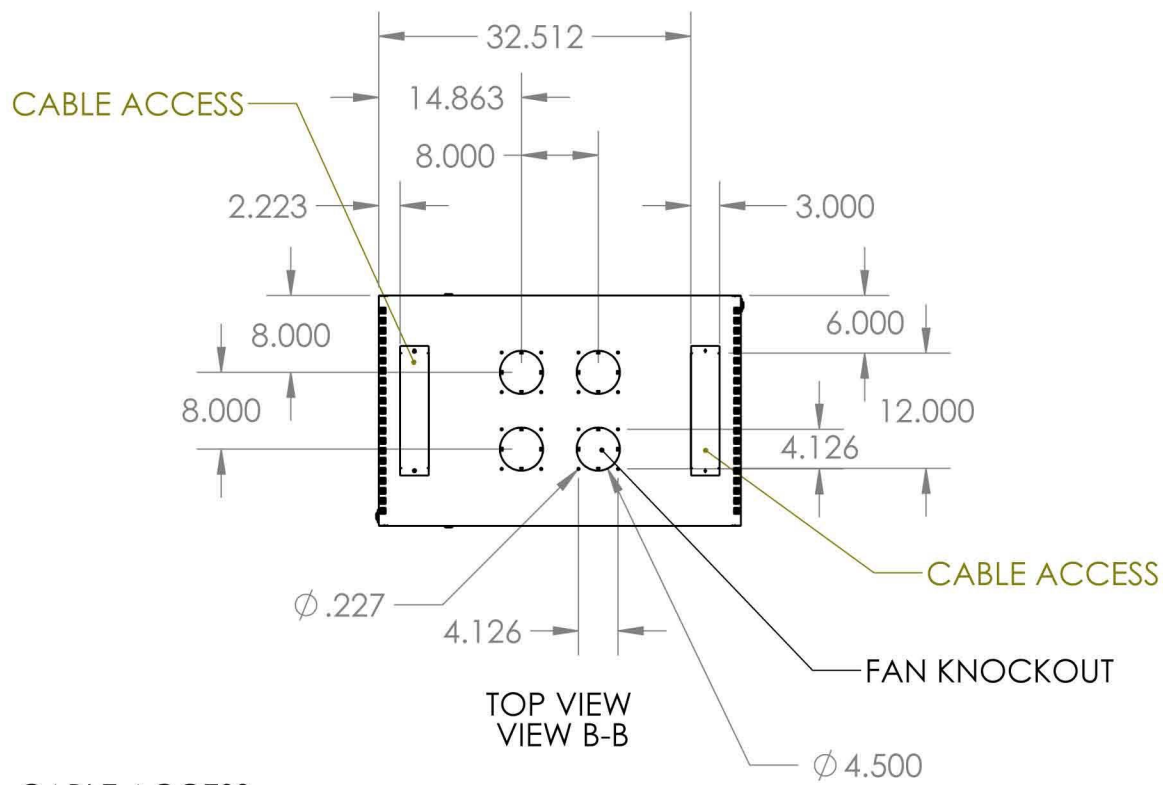
TITLE:  
**37U LINIER FS SOLID  
FRONT/ VENTED REAR**

SIZE	DWG. NO.	REV
<b>A</b>	<b>3106-3-001-37 WP</b>	

SCALE: 1:20 WEIGHT: 161.18 SHEET 1 OF 2



BOTTOM VIEW  
VIEW A-A



TOP VIEW  
VIEW B-B

CABLE ACCESS

CABLE ACCESS

FAN KNOCKOUT

CABLE ACCESS



Distributed by : i-Tech Company LLC

TOLL FREE: (888) 483-2418

• EMAIL: [info@iTechLCD.com](mailto:info@iTechLCD.com)

• WEB: [www.iTechLCD.com](http://www.iTechLCD.com)

UNLESS OTHERWISE SPECIFIED:  
DIMENSIONS ARE IN INCHES  
TOLERANCES:  
FRACTIONAL  $\pm 1/8$   
ANGULAR: BEND  $\pm 1$  DEGREE  
TWO PLACE DECIMAL  $\pm .03$   
THREE PLACE DECIMAL  $\pm .01$

Surface Area

MATERIAL

FINISH

DO NOT SCALE DRAWING

	NAME	DATE
DRAWN		
CHECKED		
ENG APPR.		
MFG APPR.		
Q.A.		
COMMENTS:		

**KENDALL HOWARD**

TITLE:  
**37U LINIER FS SOLID  
FRONT/ VENTED REAR**

SIZE	DWG. NO.	REV
<b>A</b>	<b>3106-3-001-37 WP</b>	

SCALE: 1:20 WEIGHT: 161.18 SHEET 2 OF 2