

- NOTE:
1. 19" EIA RACK MOUNT COMPLIANT.
  2. RAILS ACCEPT 3/8" CAGENUT.
  3. BLACK POWDER COAT.

UNLESS OTHERWISE SPECIFIED: DIMENSIONS ARE IN INCHES TOLERANCES: FRACTIONAL ± 1/8 ANGULAR: BEND ± 1 DEGREE TWO PLACE DECIMAL ± .03 THREE PLACE DECIMAL ± .01 Surface Area	NAME	DATE
	DRAWN	
	CHECKED	
	ENG APPR.	
	MFG APPR.	
MATERIAL	Q.A.	
FINISH	COMMENTS:	
DO NOT SCALE DRAWING		

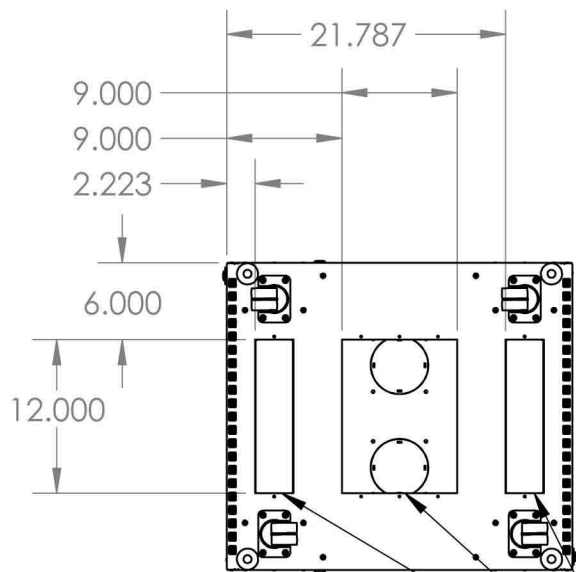
**KENDALL HOWARD**

TITLE:  
**37U LINIER AV SOLID FRONT/ VENTED REAR**

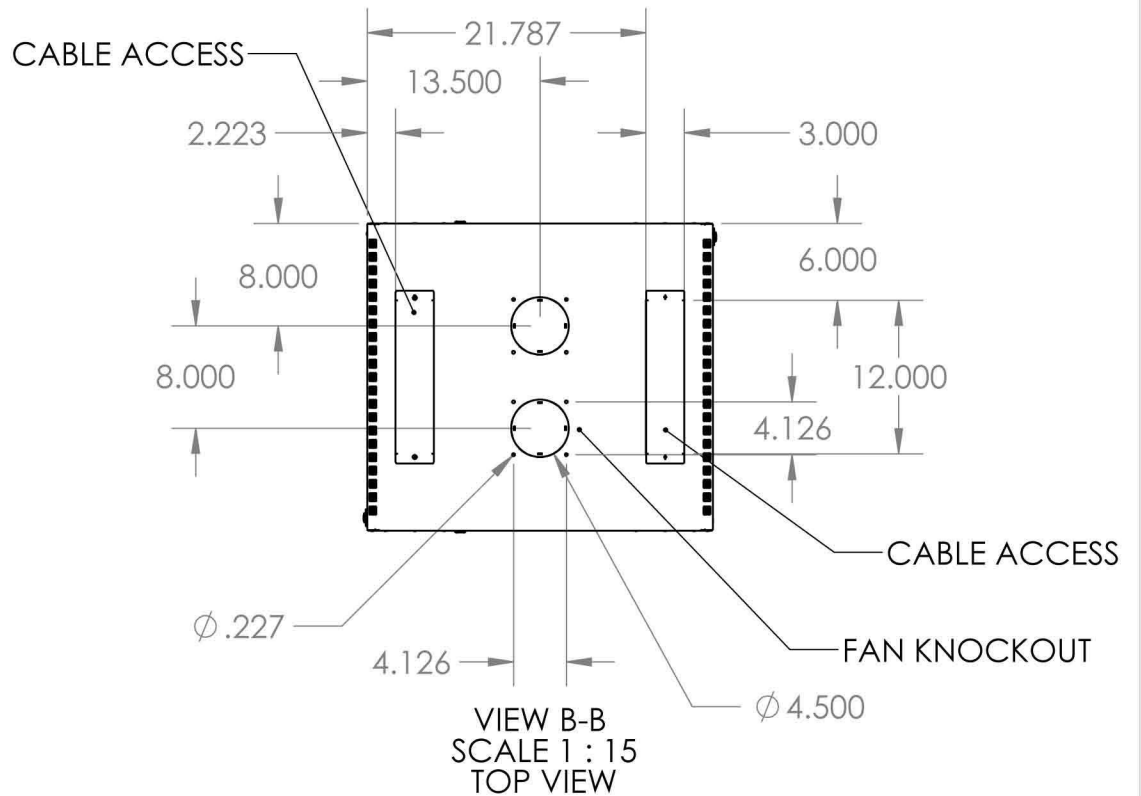
SIZE	DWG. NO.	REV
<b>A</b>	<b>3106-3-024-37 WP</b>	
SCALE: 1:20	WEIGHT: 137.01	SHEET 1 OF 2

Distributed by : i-Tech Company LLC  
TOLL FREE: (888) 483-2418  
• EMAIL: [info@iTechLCD.com](mailto:info@iTechLCD.com)  
• WEB: [www.iTechLCD.com](http://www.iTechLCD.com)





VIEW A-A  
SCALE 1 : 15  
BOTTOM VIEW



VIEW B-B  
SCALE 1 : 15  
TOP VIEW



Distributed by : i-Tech Company LLC

TOLL FREE: (888) 483-2418

• EMAIL: [info@iTechLCD.com](mailto:info@iTechLCD.com)

• WEB: [www.iTechLCD.com](http://www.iTechLCD.com)

UNLESS OTHERWISE SPECIFIED:  
DIMENSIONS ARE IN INCHES  
TOLERANCES:  
FRACTIONAL  $\pm 1/8$   
ANGULAR: BEND  $\pm 1$  DEGREE  
TWO PLACE DECIMAL  $\pm .03$   
THREE PLACE DECIMAL  $\pm .01$

Surface Area

MATERIAL

FINISH

DO NOT SCALE DRAWING

	NAME	DATE
DRAWN		
CHECKED		
ENG APPR.		
MFG APPR.		
Q.A.		
COMMENTS:		

**KENDALL HOWARD**

TITLE:  
**37U LINIER AV SOLID  
FRONT/ VENTED REAR**

SIZE	DWG. NO.	REV
<b>A</b>	<b>3106-3-024-37 WP</b>	
SCALE: 1:20	WEIGHT: 137.01	SHEET 2 OF 2