

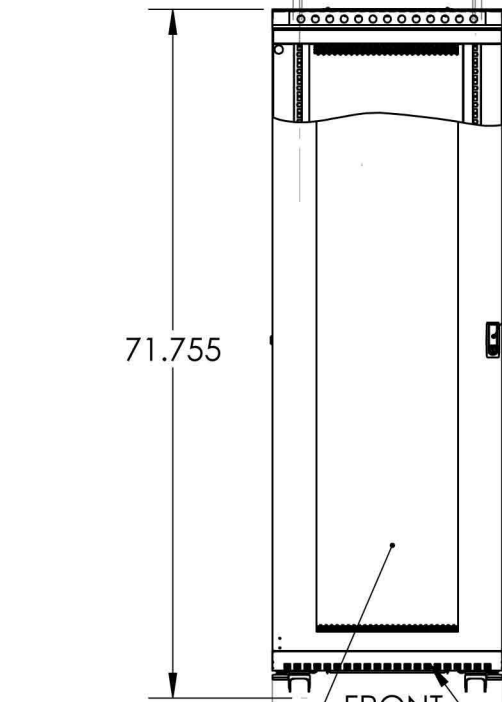
19.636 MAX
HOLE TO HOLE
18.312
17.812
INSIDE RAIL

1.210 MIN
DOOR CLEARANCE

35.638 MAX
RAIL TO RAIL

1.210 MIN
DOOR CLEARANCE

- NOTE:
1. 19" EIA RACK MOUNT COMPLIANT.
2. RAILS ACCEPT 3/8" CAGENUT.
3. BLACK POWDER COAT.



71.755

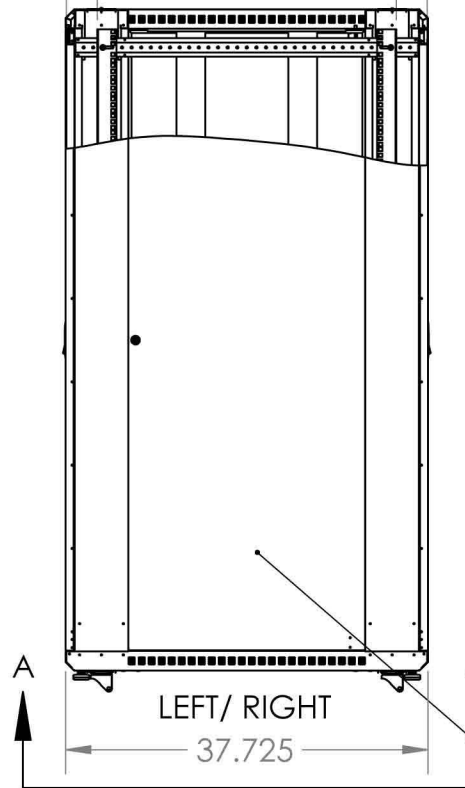
KEYED LOCK
FRONT, SIDES
AND REAR

FRONT

24.000

HINGED/
REMOVABLE
PERFORATED
DOOR

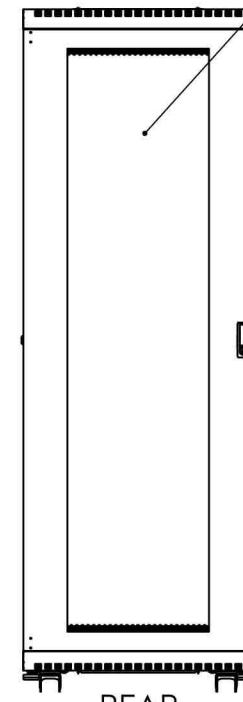
VENTING FRONT, SIDES AND REAR,
TOP AND BOTTOM



LEFT/ RIGHT

37.725

HINGED/
REMOVABLE
SIDE PANELS



REAR

HINGED/
REMOVABLE
PERFORATED
DOOR

UNLESS OTHERWISE SPECIFIED:
DIMENSIONS ARE IN INCHES
TOLERANCES:
FRACTIONAL ± 1/8
ANGULAR: BEND ± 1 DEGREE
TWO PLACE DECIMAL ± .03
THREE PLACE DECIMAL ± .01

Surface Area	NAME	DATE
MATERIAL	DRAWN	
FINISH	CHECKED	
	ENG APPR.	
	MFG APPR.	
	Q.A.	
	COMMENTS:	
DO NOT SCALE DRAWING		

KENDALL HOWARD

TITLE:
**37U LINIER FS VENTED
FRONT/ VENTED REAR**

SIZE	DWG. NO.	REV
A	3107-3-001-37 WP	

SCALE: 1:20 WEIGHT: 160.89 SHEET 1 OF 2

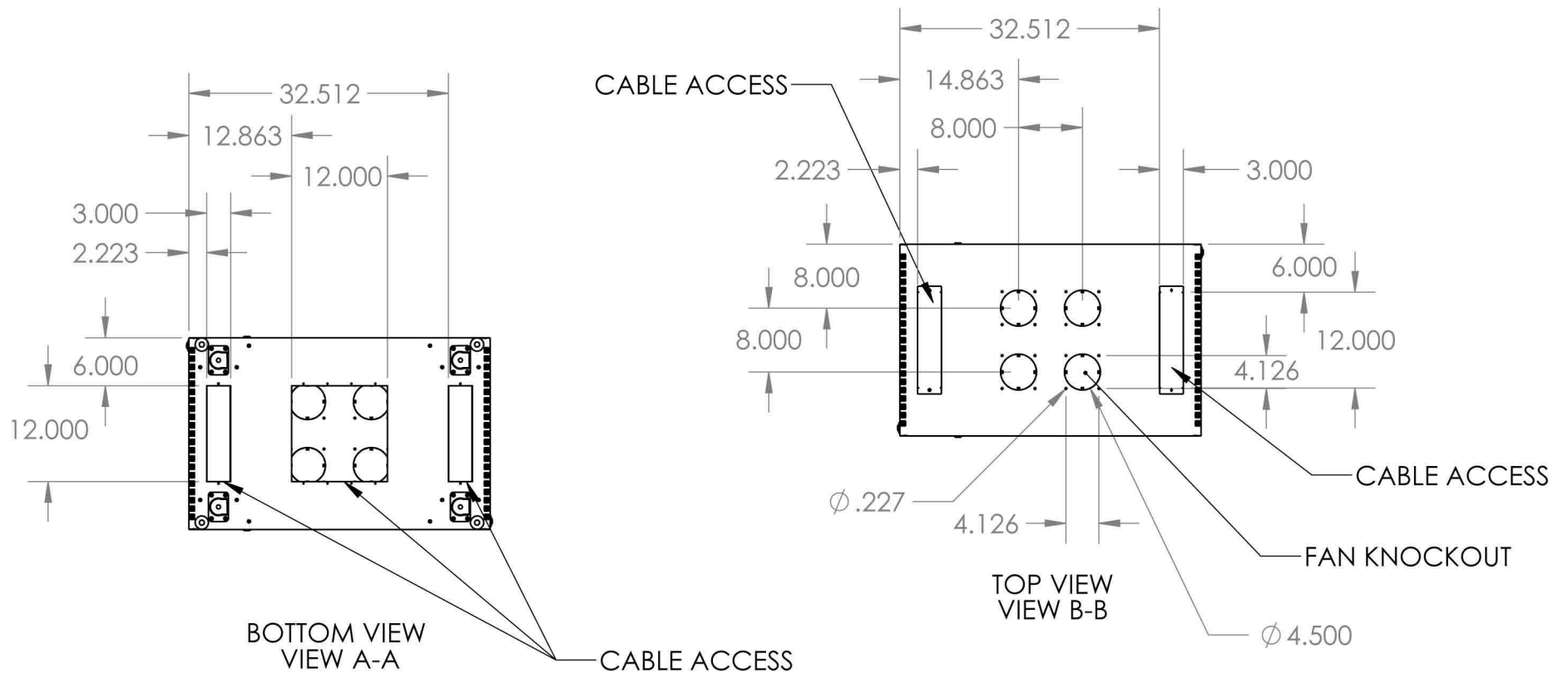
Distributed by : i-Tech Company LLC

TOLL FREE: (888) 483-2418

• EMAIL: info@iTechLCD.com

• WEB: www.iTechLCD.com





Distributed by : i-Tech Company LLC

TOLL FREE: (888) 483-2418

• EMAIL: info@iTechLCD.com

• WEB: www.iTechLCD.com

UNLESS OTHERWISE SPECIFIED:
 DIMENSIONS ARE IN INCHES
 TOLERANCES:
 FRACTIONAL $\pm 1/8$
 ANGULAR: BEND ± 1 DEGREE
 TWO PLACE DECIMAL $\pm .03$
 THREE PLACE DECIMAL $\pm .01$

Surface Area	
MATERIAL	
FINISH	
DO NOT SCALE DRAWING	

	NAME	DATE
DRAWN		
CHECKED		
ENG APPR.		
MFG APPR.		
Q.A.		
COMMENTS:		

KENDALL HOWARD

TITLE:
**37U LINIER FS VENTED
 FRONT/ VENTED REAR**

SIZE	DWG. NO.	REV
A	3107-3-001-37 WP	
SCALE: 1:20	WEIGHT: 160.89	SHEET 2 OF 2