

Distributed by : i-Tech Company LLC

TOLL FREE: (888) 483-2418

• EMAIL: [info@iTechLCD.com](mailto:info@iTechLCD.com)

• WEB: [www.iTechLCD.com](http://www.iTechLCD.com)

UNLESS OTHERWISE SPECIFIED:  
DIMENSIONS ARE IN INCHES  
TOLERANCES:  
FRACTIONAL  $\pm 1/8$   
ANGULAR: BEND  $\pm 1$  DEGREE  
TWO PLACE DECIMAL  $\pm .03$   
THREE PLACE DECIMAL  $\pm .01$

Surface Area

MATERIAL

FINISH

DO NOT SCALE DRAWING

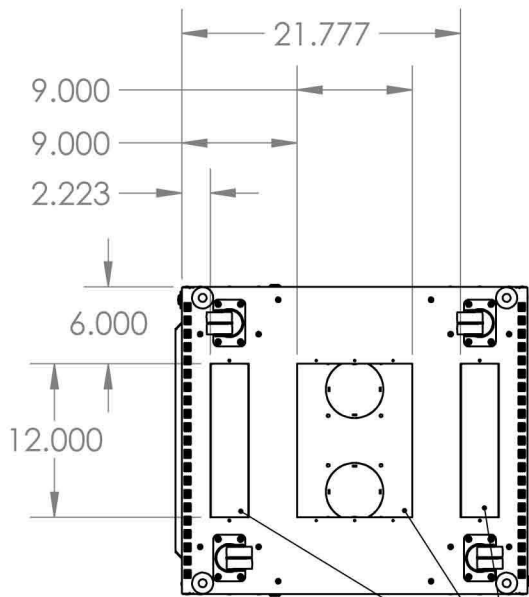
	NAME	DATE
DRAWN		
CHECKED		
ENG APPR.		
MFG APPR.		
Q.A.		
COMMENTS:		

**KENDALL HOWARD**

TITLE:

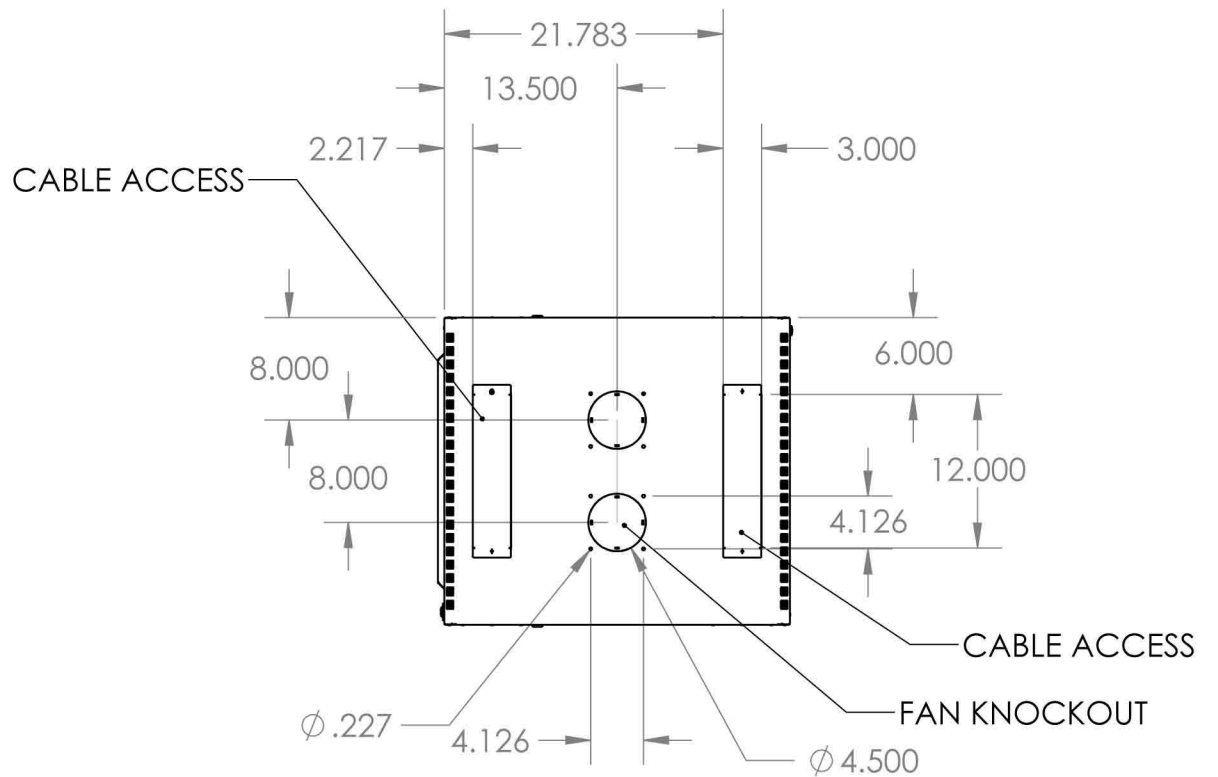
**22U LINIER AV CONVEX  
FRONT/ VENTED REAR**

SIZE	DWG. NO.	REV
<b>A</b>	<b>3110-3-024-22 WP</b>	
SCALE: 1:20	WEIGHT: 98.60	SHEET 1 OF 2



VIEW A-A  
SCALE 1 : 15  
BOTTOM VIEW

CABLE ACCESS



VIEW B-B  
SCALE 1 : 15  
TOP VIEW

CABLE ACCESS

FAN KNOCKOUT



Distributed by : i-Tech Company LLC

TOLL FREE: (888) 483-2418

• EMAIL: [info@iTechLCD.com](mailto:info@iTechLCD.com)

• WEB: [www.iTechLCD.com](http://www.iTechLCD.com)

UNLESS OTHERWISE SPECIFIED:  
DIMENSIONS ARE IN INCHES  
TOLERANCES:  
FRACTIONAL  $\pm 1/8$   
ANGULAR: BEND  $\pm 1$  DEGREE  
TWO PLACE DECIMAL  $\pm .03$   
THREE PLACE DECIMAL  $\pm .01$

Surface Area

MATERIAL

FINISH

DO NOT SCALE DRAWING

	NAME	DATE
DRAWN		
CHECKED		
ENG APPR.		
MFG APPR.		
Q.A.		
COMMENTS:		

**KENDALL HOWARD**

TITLE:  
**22U LINIER AV CONVEX  
FRONT/ VENTED REAR**

SIZE	DWG. NO.	REV
<b>A</b>	<b>3110-3-024-22 WP</b>	

SCALE: 1:20 WEIGHT: 98.60 SHEET 2 OF 2