

NOTE:

1. 19" EIA RACK MOUNT COMPLIANT.
2. RAILS ACCEPT 3/8" CAGENUT.
3. BLACK POWDER COAT.

UNLESS OTHERWISE SPECIFIED:  
DIMENSIONS ARE IN INCHES  
TOLERANCES:  
FRACTIONAL ±1/8  
ANGULAR: BEND ±1 DEGREE  
TWO PLACE DECIMAL ±.03  
THREE PLACE DECIMAL ±.01

Surface Area

MATERIAL

FINISH

DO NOT SCALE DRAWING

|           | NAME | DATE |
|-----------|------|------|
| DRAWN     |      |      |
| CHECKED   |      |      |
| ENG APPR. |      |      |
| MFG APPR. |      |      |
| Q.A.      |      |      |
| COMMENTS: |      |      |

**KENDALL HOWARD**

TITLE:  
**27U LINIER AV CONVEX  
FRONT/ VENTED REAR**

| SIZE                       | DWG. NO.                | REV          |
|----------------------------|-------------------------|--------------|
| <b>A</b>                   | <b>3110-3-024-27 WP</b> |              |
| SCALE: 1:20 WEIGHT: 111.60 |                         | SHEET 1 OF 2 |

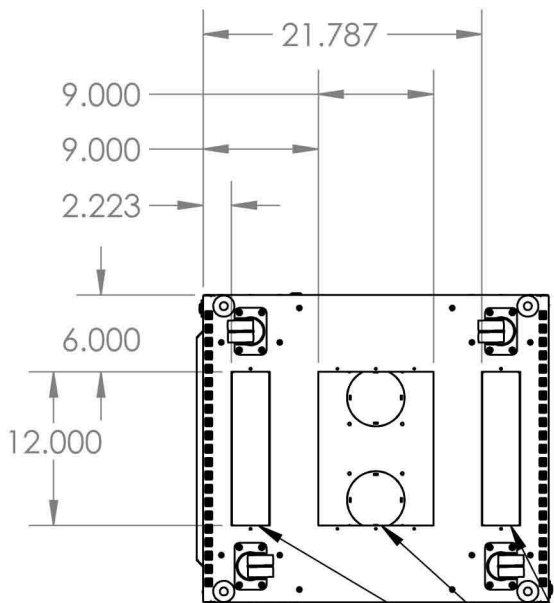


Distributed by : i-Tech Company LLC

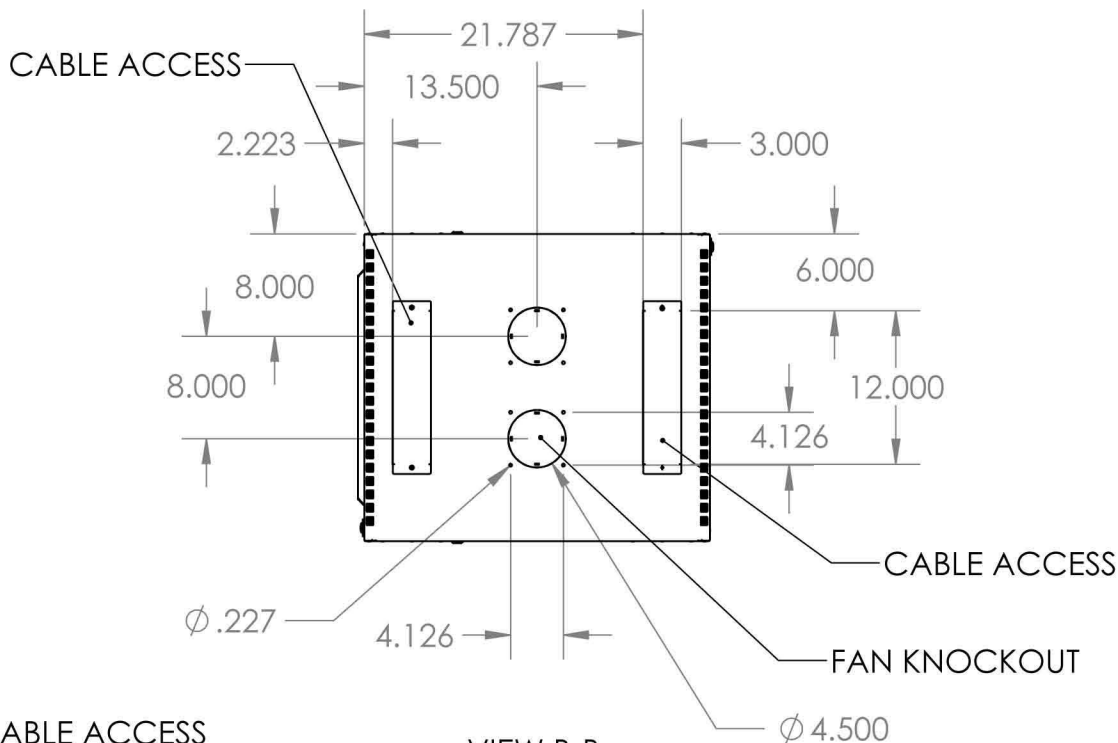
TOLL FREE: (888) 483-2418

• EMAIL: [info@iTechLCD.com](mailto:info@iTechLCD.com)

• WEB: [www.iTechLCD.com](http://www.iTechLCD.com)



VIEW A-A  
SCALE 1 : 15  
BOTTOM VIEW



VIEW B-B  
SCALE 1 : 15  
TOP VIEW



Distributed by : i-Tech Company LLC

TOLL FREE: (888) 483-2418

• EMAIL: [info@iTechLCD.com](mailto:info@iTechLCD.com)

• WEB: [www.iTechLCD.com](http://www.iTechLCD.com)

UNLESS OTHERWISE SPECIFIED:  
DIMENSIONS ARE IN INCHES  
TOLERANCES:  
FRACTIONAL  $\pm 1/8$   
ANGULAR: BEND  $\pm 1$  DEGREE  
TWO PLACE DECIMAL  $\pm .03$   
THREE PLACE DECIMAL  $\pm .01$

|                      |  |  |  |
|----------------------|--|--|--|
| Surface Area         |  |  |  |
| MATERIAL             |  |  |  |
| FINISH               |  |  |  |
| DO NOT SCALE DRAWING |  |  |  |

|           | NAME | DATE |
|-----------|------|------|
| DRAWN     |      |      |
| CHECKED   |      |      |
| ENG APPR. |      |      |
| MFG APPR. |      |      |
| Q.A.      |      |      |
| COMMENTS: |      |      |

**KENDALL HOWARD**

TITLE:  
**27U LINIER AV CONVEX  
FRONT/ VENTED REAR**

|                            |                         |              |
|----------------------------|-------------------------|--------------|
| SIZE                       | DWG. NO.                | REV          |
| <b>A</b>                   | <b>3110-3-024-27 WP</b> |              |
| SCALE: 1:20 WEIGHT: 111.60 |                         | SHEET 2 OF 2 |