

NOTE:
22.5 MAX RAIL TO RAIL
12.5 MIN RAIL TO RAIL



Distributed by : i-Tech Company LLC

TOLL FREE: (888) 483-2418

• EMAIL: info@iTechLCD.com

• WEB: www.iTechLCD.com

UNLESS OTHERWISE SPECIFIED:
DIMENSIONS ARE IN INCHES
TOLERANCES:
FRACTIONAL $\pm 1/8$
ANGULAR: BEND ± 1 DEGREE
TWO PLACE DECIMAL $\pm .03$
THREE PLACE DECIMAL $\pm .01$

Surface Area

MATERIAL

FINISH

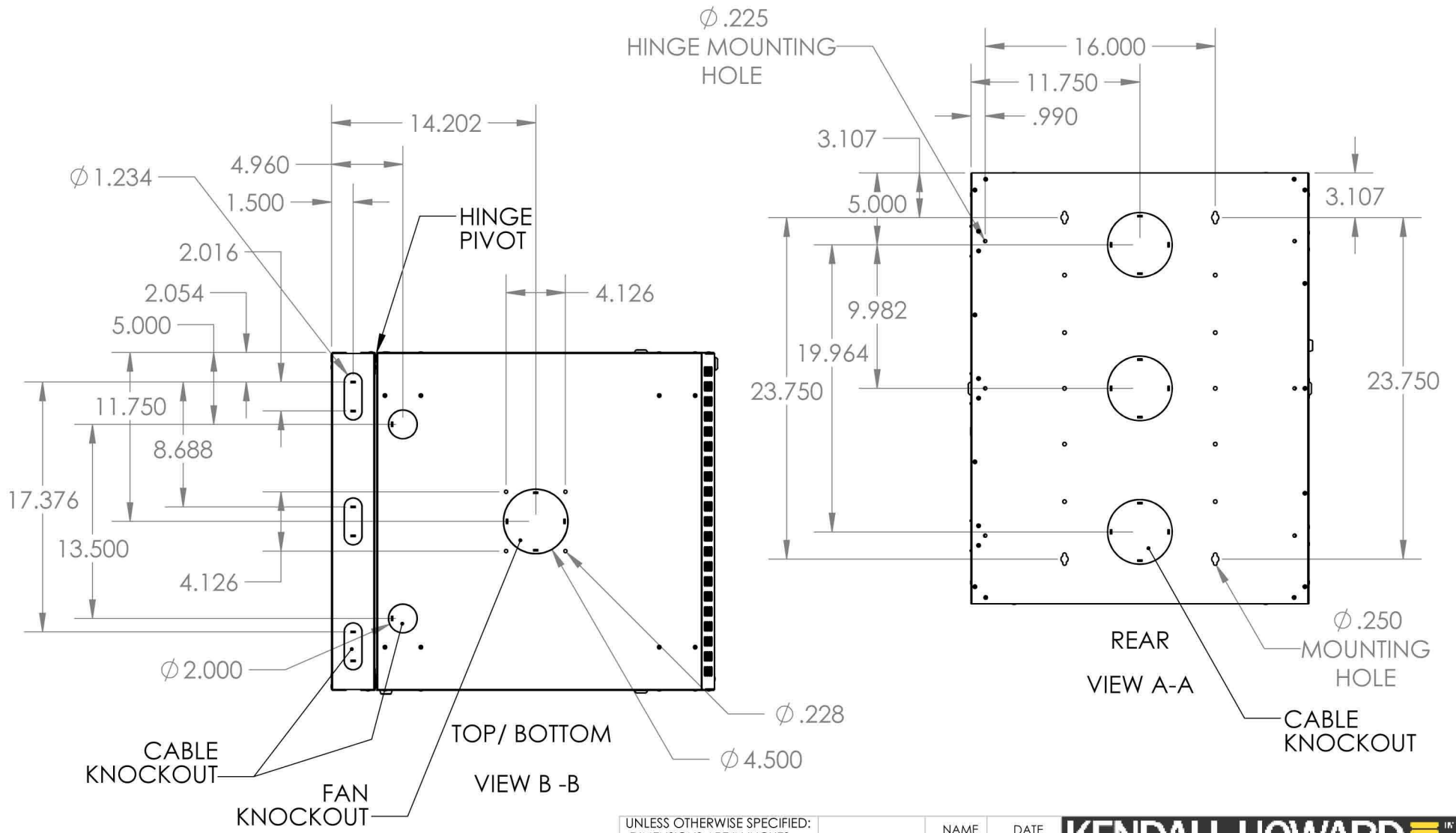
DO NOT SCALE DRAWING

	NAME	DATE
DRAWN		
CHECKED		
ENG APPR.		
MFG APPR.		
Q.A.		
COMMENTS:		

KENDALL HOWARD

TITLE:
**15U LINIER WM SWINGOUT
CABINET- GLASS DOOR**

SIZE	DWG. NO.	REV
A	3130-3-001-15 WP	
SCALE: 1:10	WEIGHT: 63.44	SHEET 1 OF 2



Distributed by : i-Tech Company LLC
 TOLL FREE: (888) 483-2418
 • EMAIL: info@iTechLCD.com
 • WEB: www.iTechLCD.com

UNLESS OTHERWISE SPECIFIED: DIMENSIONS ARE IN INCHES TOLERANCES: FRACTIONAL $\pm 1/8$ ANGULAR: BEND ± 1 DEGREE TWO PLACE DECIMAL $\pm .03$ THREE PLACE DECIMAL $\pm .01$	NAME	DATE
	DRAWN	
	CHECKED	
	ENG APPR.	
	MFG APPR.	
	Q.A.	
Surface Area	COMMENTS:	
MATERIAL		
FINISH		
DO NOT SCALE DRAWING		

KENDALL HOWARD

TITLE:
**15U LINIER WM SWINGOUT
 CABINET- GLASS DOOR**

SIZE	DWG. NO.	REV
A	3130-3-001-15 WP	
SCALE: 1:10 WEIGHT: 63.44		SHEET 2 OF 2