

NOTE:
22.5 MAX RAIL TO RAIL
12.5 MIN RAIL TO RAIL

UNLESS OTHERWISE SPECIFIED:
DIMENSIONS ARE IN INCHES
TOLERANCES:
FRACTIONAL $\pm 1/8$
ANGULAR: BEND ± 1 DEGREE
TWO PLACE DECIMAL $\pm .03$
THREE PLACE DECIMAL $\pm .01$
Surface Area

MATERIAL

FINISH

DO NOT SCALE DRAWING

	NAME	DATE
DRAWN		
CHECKED		
ENG APPR.		
MFG APPR.		
Q.A.		
COMMENTS:		

KENDALL HOWARD

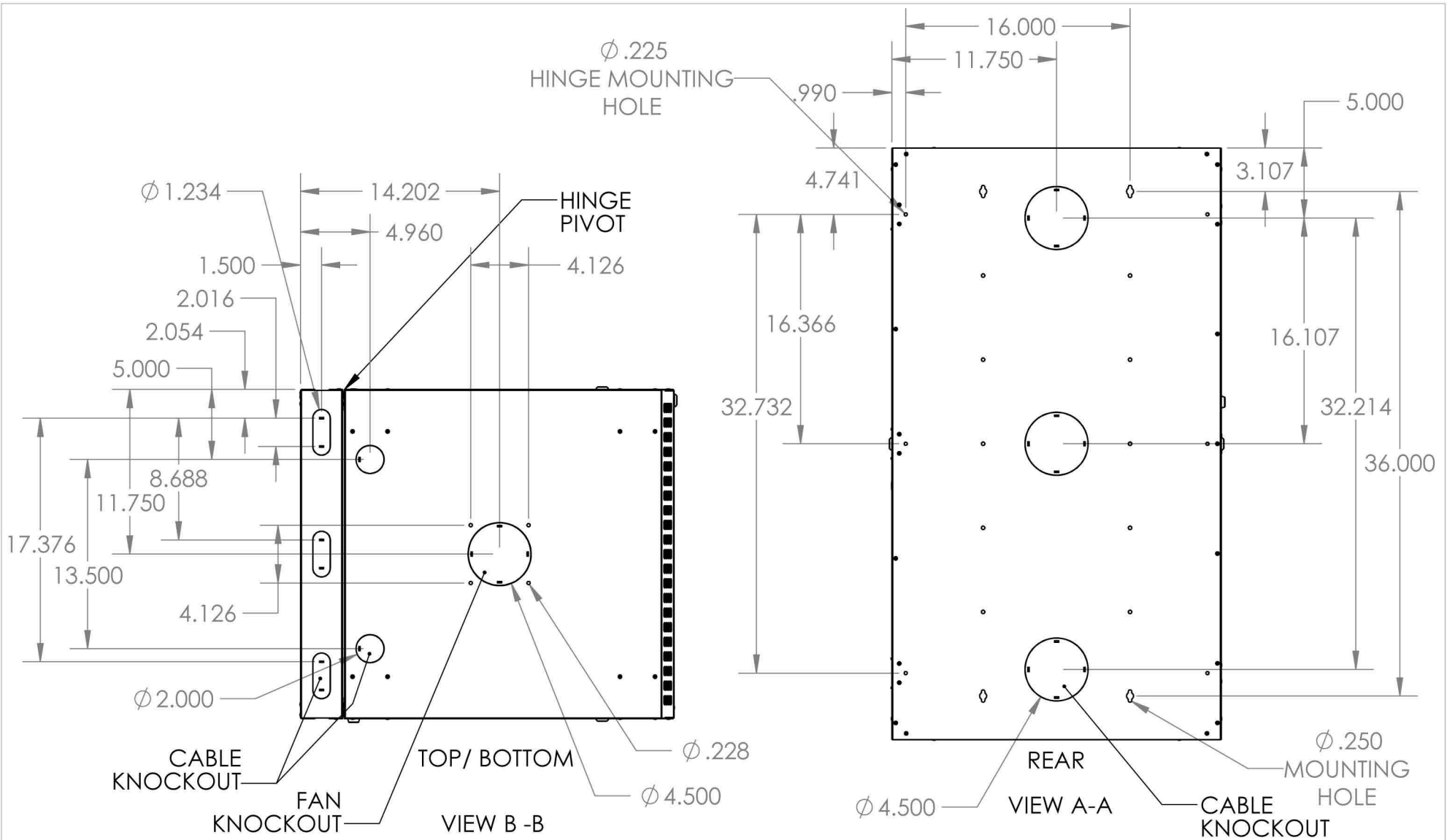
TITLE:
22U LINIER WM SWINGOUT CABINET- GLASS DOOR

SIZE	DWG. NO.	REV
A	3130-3-001-22 WP	

SCALE: 1:10 WEIGHT: 81.96 SHEET 1 OF 2



Distributed by : i-Tech Company LLC
TOLL FREE: (888) 483-2418
• EMAIL: info@iTechLCD.com
• WEB: www.iTechLCD.com



UNLESS OTHERWISE SPECIFIED:
 DIMENSIONS ARE IN INCHES
 TOLERANCES:
 FRACTIONAL $\pm 1/8$
 ANGULAR: BEND ± 1 DEGREE
 TWO PLACE DECIMAL $\pm .03$
 THREE PLACE DECIMAL $\pm .01$

Surface Area

MATERIAL

FINISH

DO NOT SCALE DRAWING

	NAME	DATE
DRAWN		
CHECKED		
ENG APPR.		
MFG APPR.		
Q.A.		
COMMENTS:		

KENDALL HOWARD

TITLE:
22U LINIER WM SWINGOUT CABINET- GLASS DOOR

SIZE	DWG. NO.	REV
A	3130-3-001-22 WP	

SCALE: 1:10 WEIGHT: 81.96 SHEET 2 OF 2



Distributed by : i-Tech Company LLC
 TOLL FREE: (888) 483-2418
 • EMAIL: info@iTechLCD.com
 • WEB: www.iTechLCD.com