

NOTE:  
22.5 MAX RAIL TO RAIL  
12.5 MIN RAIL TO RAIL

UNLESS OTHERWISE SPECIFIED: DIMENSIONS ARE IN INCHES TOLERANCES: FRACTIONAL ±1/8 ANGULAR: BEND ±1 DEGREE TWO PLACE DECIMAL ±.03 THREE PLACE DECIMAL ±.01		NAME	DATE
Surface Area			
MATERIAL			
FINISH			
DO NOT SCALE DRAWING			
DRAWN			
CHECKED			
ENG APPR.			
MFG APPR.			
Q.A.			
COMMENTS:			

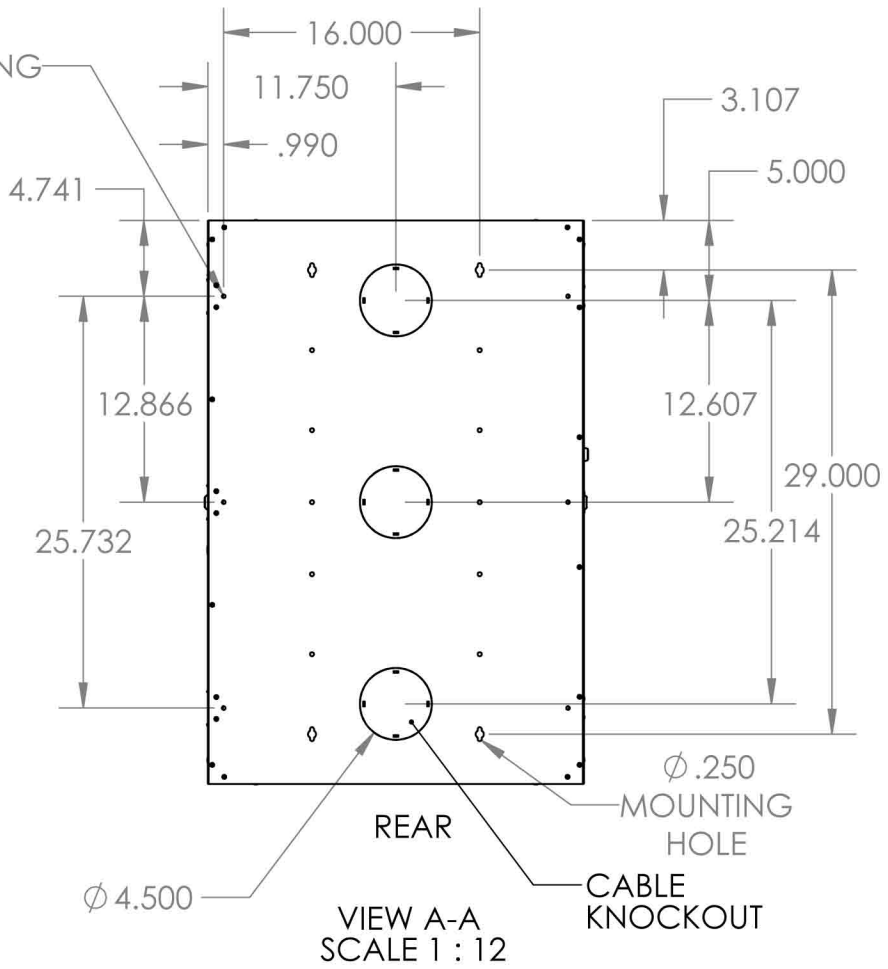
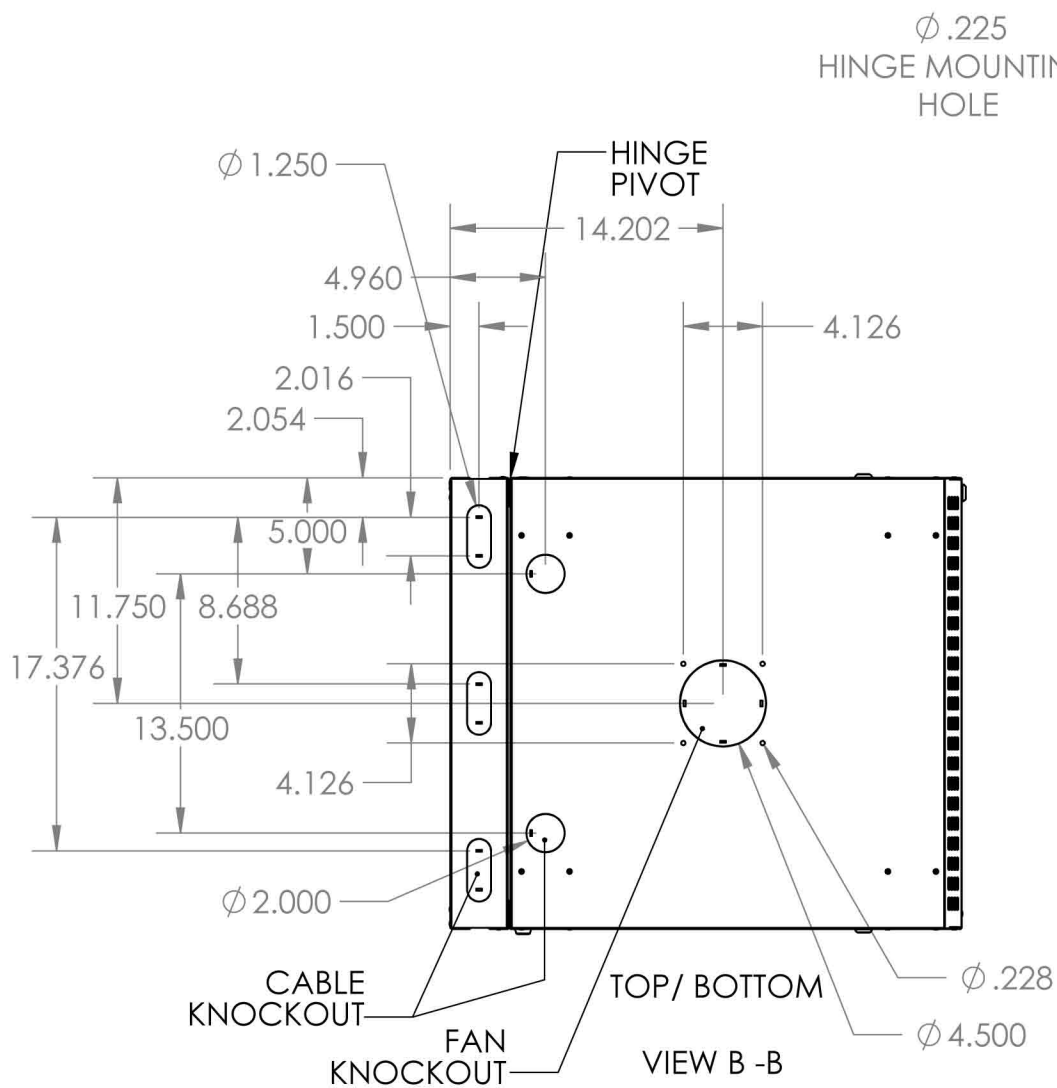
**KENDALL HOWARD**

TITLE:  
**18U LINIER WM SWINGOUT CABINET- SOLID DOOR**

SIZE	DWG. NO.	REV
<b>A</b>	<b>3131-3-001-18 WP</b>	
SCALE: 1:10	WEIGHT: 72.09	SHEET 1 OF 2



Distributed by : i-Tech Company LLC  
TOLL FREE: (888) 483-2418  
• EMAIL: [info@iTechLCD.com](mailto:info@iTechLCD.com)  
• WEB: [www.iTechLCD.com](http://www.iTechLCD.com)



UNLESS OTHERWISE SPECIFIED:  
 DIMENSIONS ARE IN INCHES  
 TOLERANCES:  
 FRACTIONAL ±1/8  
 ANGULAR: BEND ±1 DEGREE  
 TWO PLACE DECIMAL ±.03  
 THREE PLACE DECIMAL ±.01

SURFACE AREA		
MATERIAL		
FINISH		
DO NOT SCALE DRAWING		

	NAME	DATE
DRAWN		
CHECKED		
ENG APPR.		
MFG APPR.		
Q.A.		
COMMENTS:		

**KENDALL HOWARD**

TITLE:  
**18U LINIER WM SWINGOUT  
 CABINET- SOLID DOOR**

SIZE	DWG. NO.	REV
<b>A</b>	<b>3131-3-001-18 WP</b>	
SCALE: 1:10	WEIGHT: 72.09	SHEET 2 OF 2

Distributed by : i-Tech Company LLC  
 TOLL FREE: (888) 483-2418  
 • EMAIL: [info@iTechLCD.com](mailto:info@iTechLCD.com)  
 • WEB: [www.iTechLCD.com](http://www.iTechLCD.com)

