

NOTE:
22.5 MAX RAIL TO RAIL
12.5 MIN RAIL TO RAIL



Distributed by : i-Tech Company LLC

TOLL FREE: (888) 483-2418

• EMAIL: info@iTechLCD.com

• WEB: www.iTechLCD.com

UNLESS OTHERWISE SPECIFIED:
DIMENSIONS ARE IN INCHES
TOLERANCES:
FRACTIONAL $\pm 1/8$
ANGULAR: BEND ± 1 DEGREE
TWO PLACE DECIMAL $\pm .03$
THREE PLACE DECIMAL $\pm .01$

Surface Area

MATERIAL

FINISH

DO NOT SCALE DRAWING

	NAME	DATE
DRAWN		
CHECKED		
ENG APPR.		
MFG APPR.		
Q.A.		

COMMENTS:

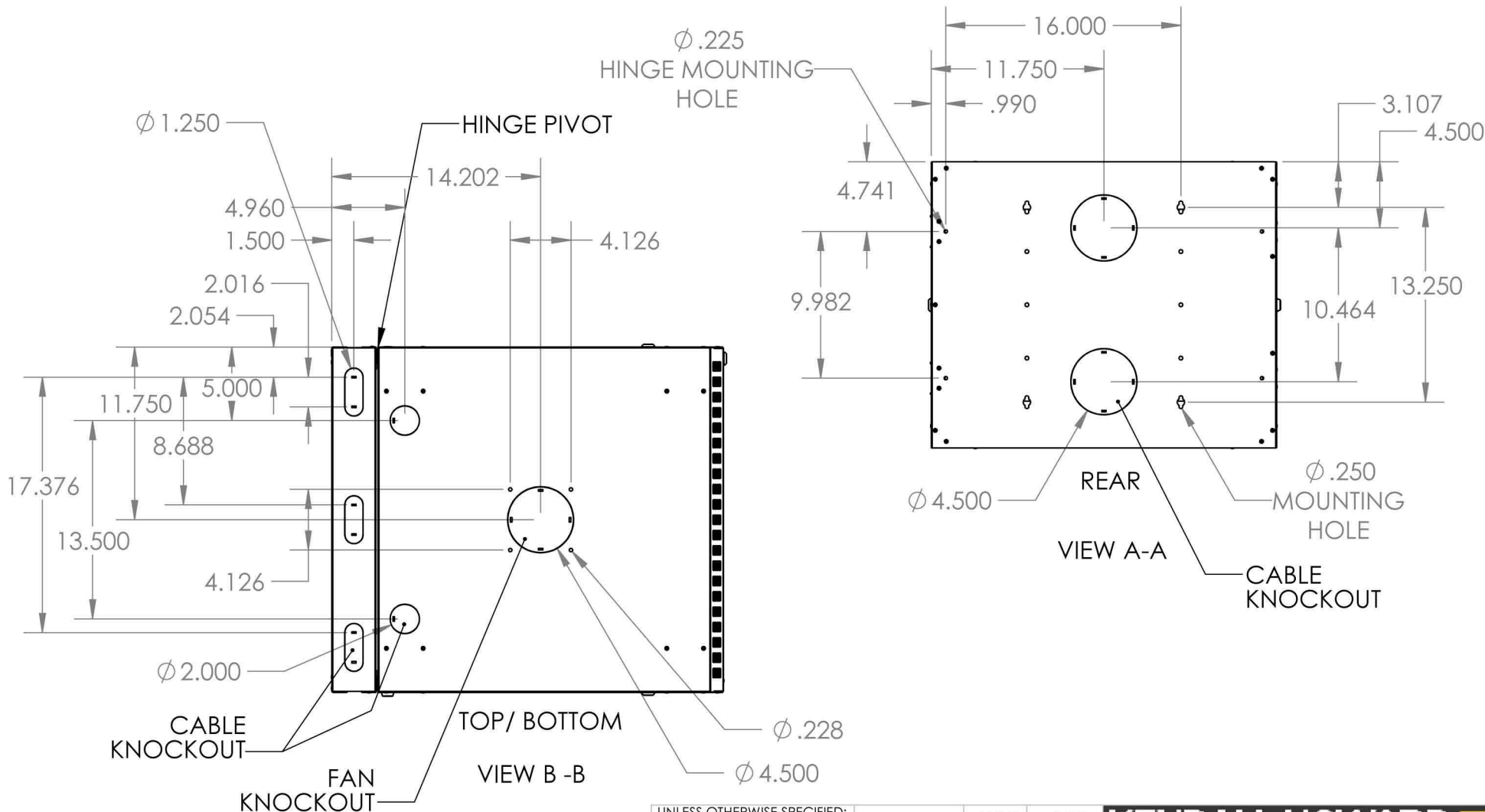
KENDALL HOWARD

TITLE:

9U LINIER WM SWINGOUT
CABINET- PERFORATED DOOR

SIZE	DWG. NO.	REV
A	3132-3-001-09 WP	

SCALE: 1:10 WEIGHT: 47.69 SHEET 1 OF 2



UNLESS OTHERWISE SPECIFIED:
 DIMENSIONS ARE IN INCHES
 TOLERANCES:
 FRACTIONAL ±1/8
 ANGULAR: BEND ±1 DEGREE
 TWO PLACE DECIMAL ±.03
 THREE PLACE DECIMAL ±.01

Surface Area

MATERIAL

FINISH

DO NOT SCALE DRAWING

	NAME	DATE
DRAWN		
CHECKED		
ENG APPR.		
MFG APPR.		
Q.A.		
COMMENTS:		

KENDALL HOWARD

TITLE:
**9U LINIER WM SWINGOUT
 CABINET- PERFORATED DOOR**

SIZE	DWG. NO.	REV
A	3132-3-001-09 WP	

SCALE: 1:10 WEIGHT: 47.69 SHEET 2 OF 2

Distributed by : i-Tech Company LLC
 TOLL FREE: (888) 483-2418
 • EMAIL: info@iTechLCD.com
 • WEB: www.iTechLCD.com

