

NOTE:
22.5 MAX RAIL TO RAIL
12.5 MIN RAIL TO RAIL



Distributed by : i-Tech Company LLC
TOLL FREE: (888) 483-2418
• EMAIL: info@iTechLCD.com
• WEB: www.iTechLCD.com

UNLESS OTHERWISE SPECIFIED:
DIMENSIONS ARE IN INCHES
TOLERANCES:
FRACTIONAL ±1/8
ANGULAR: BEND ±1 DEGREE
TWO PLACE DECIMAL ±.03
THREE PLACE DECIMAL ±.01
Surface Area

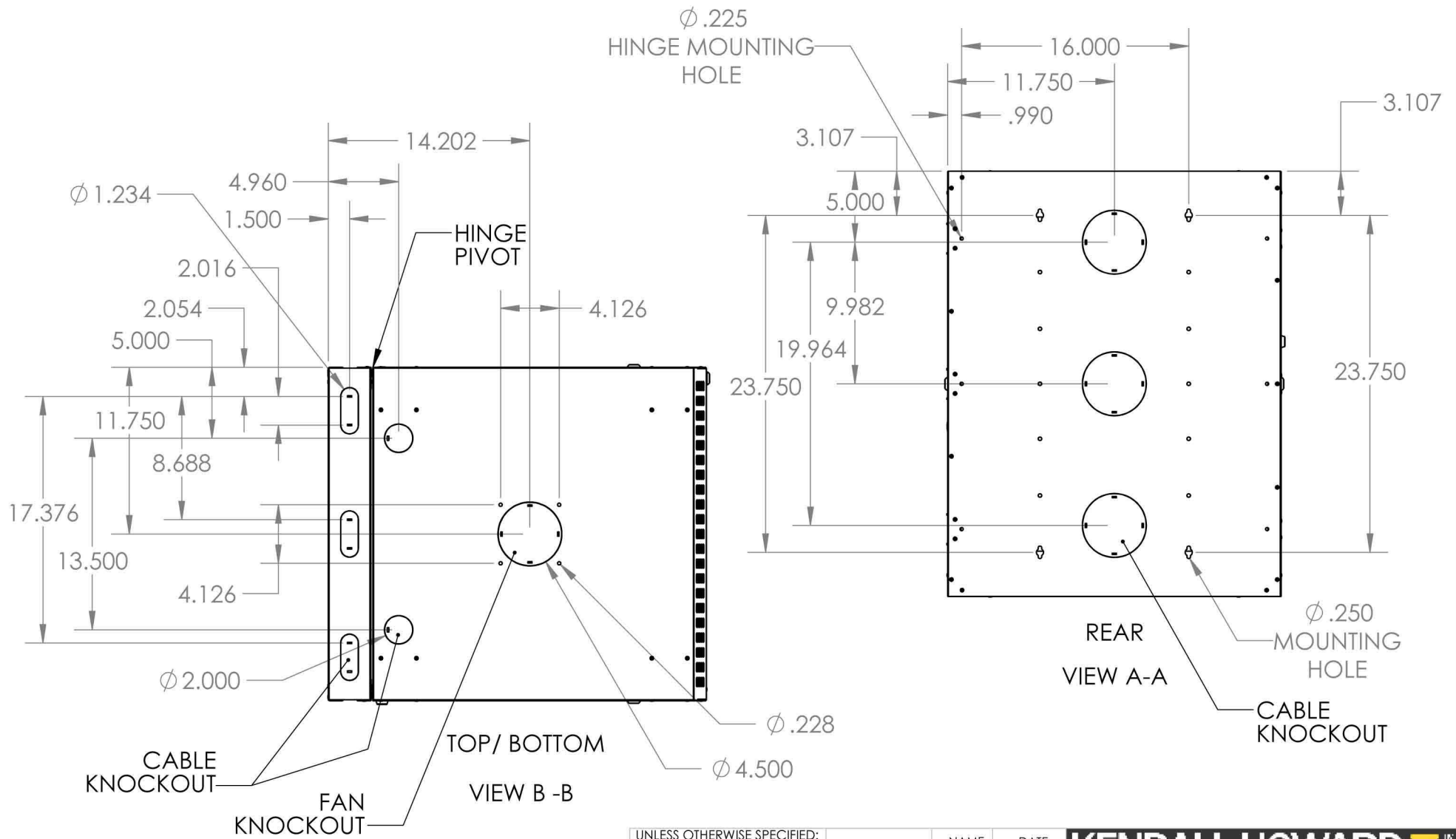
MATERIAL	NAME	DATE
FINISH		
DO NOT SCALE DRAWING		

DRAWN		
CHECKED		
ENG APPR.		
MFG APPR.		
Q.A.		
COMMENTS:		

KENDALL HOWARD

TITLE:
**15U LINIER WM SWINGOUT
CABINET- PERFORATED DOOR**

SIZE	DWG. NO.	REV
A	3132-3-001-15 WP	
SCALE: 1:10	WEIGHT: 63.52	SHEET 1 OF 2



UNLESS OTHERWISE SPECIFIED:
 DIMENSIONS ARE IN INCHES
 TOLERANCES:
 FRACTIONAL ± 1/8
 ANGULAR: BEND ± 1 DEGREE
 TWO PLACE DECIMAL ± .03
 THREE PLACE DECIMAL ± .01

Surface Area			
MATERIAL			
FINISH			
DO NOT SCALE DRAWING			

	NAME	DATE
DRAWN		
CHECKED		
ENG APPR.		
MFG APPR.		
Q.A.		
COMMENTS:		

KENDALL HOWARD

TITLE:
**15U LINIER WM SWINGOUT
 CABINET- PERFORATED DOOR**

SIZE	DWG. NO.	REV
A	3132-3-001-15 WP	
SCALE: 1:10	WEIGHT: 63.52	SHEET 2 OF 2



Distributed by : i-Tech Company LLC
 TOLL FREE: (888) 483-2418
 • EMAIL: info@iTechLCD.com
 • WEB: www.iTechLCD.com