

NOTE:
 22.5 MAX RAIL TO RAIL
 12.5 MIN RAIL TO RAIL

Distributed by : i-Tech Company LLC
 TOLL FREE: (888) 483-2418
 • EMAIL: info@iTechLCD.com
 • WEB: www.iTechLCD.com



UNLESS OTHERWISE SPECIFIED:
 DIMENSIONS ARE IN INCHES
 TOLERANCES:
 FRACTIONAL ±1/8
 ANGULAR: BEND ±1 DEGREE
 TWO PLACE DECIMAL ±.03
 THREE PLACE DECIMAL ±.01

Surface Area			
MATERIAL			
FINISH			
DO NOT SCALE DRAWING			

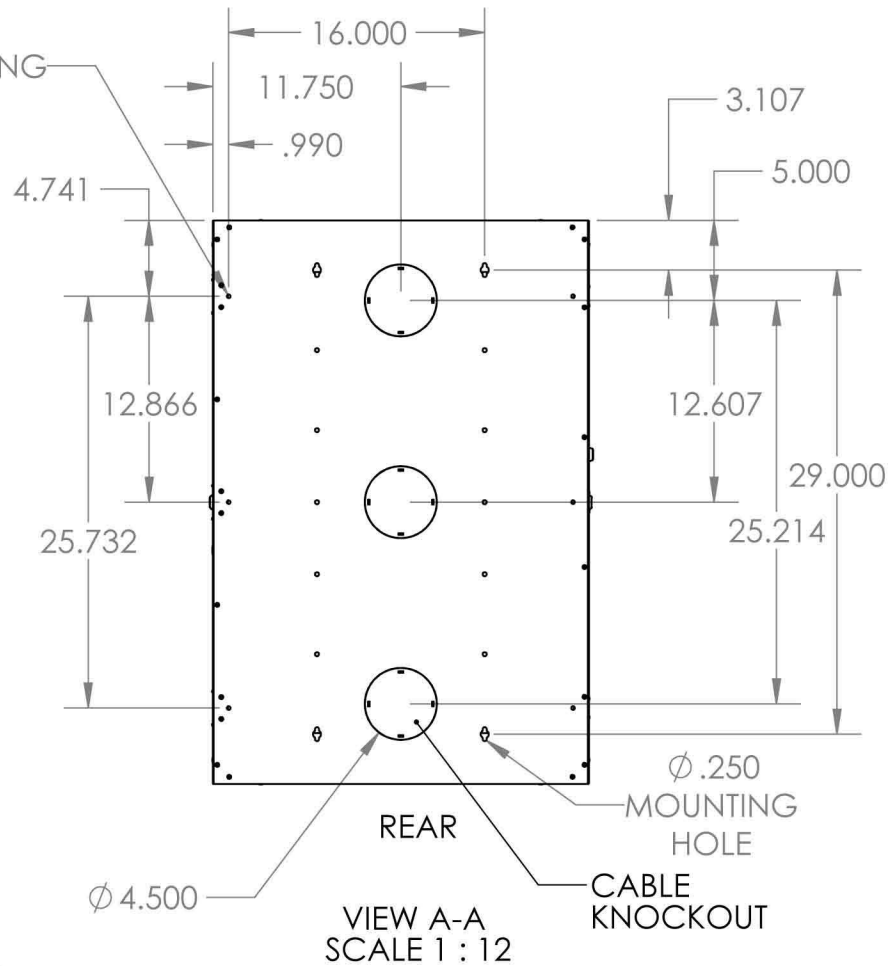
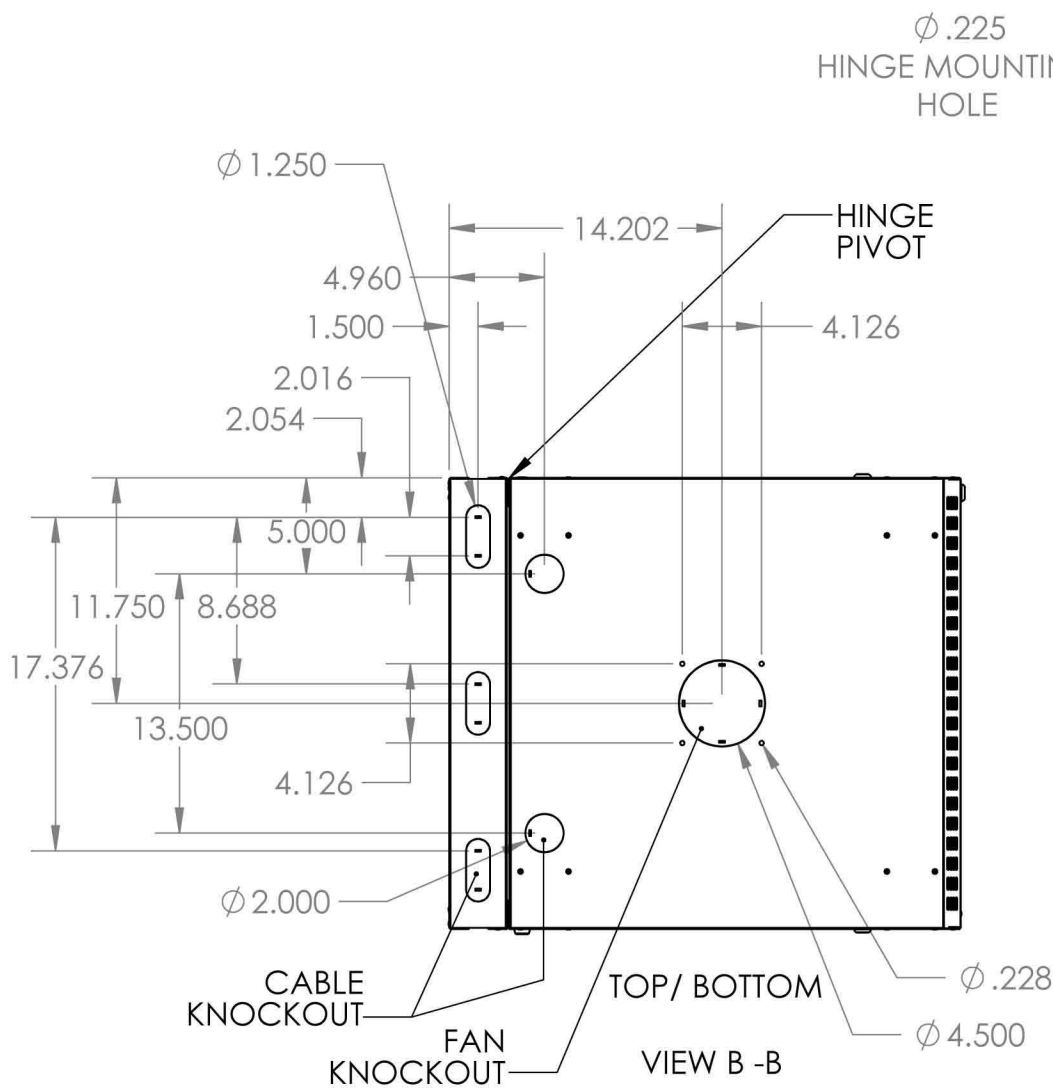
	NAME	DATE
DRAWN		
CHECKED		
ENG APPR.		
MFG APPR.		
Q.A.		
COMMENTS:		

KENDALL HOWARD

TITLE:
18U LINIER WM SWINGOUT CABINET- PERFORATED DOOR

SIZE	DWG. NO.	REV
A	3132-3-001-18 WP	

SCALE: 1:10 WEIGHT: 72.50 SHEET 1 OF 2



Distributed by : i-Tech Company LLC

TOLL FREE: (888) 483-2418

• EMAIL: info@iTechLCD.com

• WEB: www.iTechLCD.com

UNLESS OTHERWISE SPECIFIED:
 DIMENSIONS ARE IN INCHES
 TOLERANCES:
 FRACTIONAL ±1/8
 ANGULAR: BEND ±1 DEGREE
 TWO PLACE DECIMAL ±.03
 THREE PLACE DECIMAL ±.01

Surface Area

MATERIAL

FINISH

DO NOT SCALE DRAWING

	NAME	DATE
DRAWN		
CHECKED		
ENG APPR.		
MFG APPR.		
Q.A.		
COMMENTS:		

KENDALL HOWARD

TITLE:
**18U LINIER WM SWINGOUT
 CABINET- PERFORATED DOOR**

SIZE	DWG. NO.	REV
A	3132-3-001-18 WP	
SCALE: 1:10	WEIGHT: 72.50	SHEET 2 OF 2