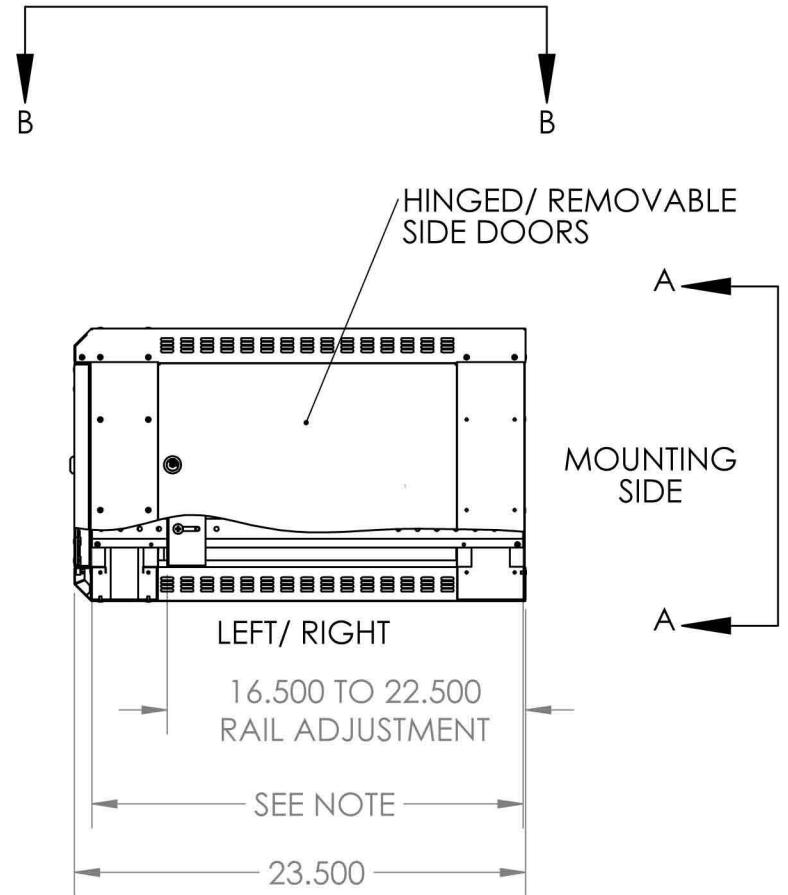
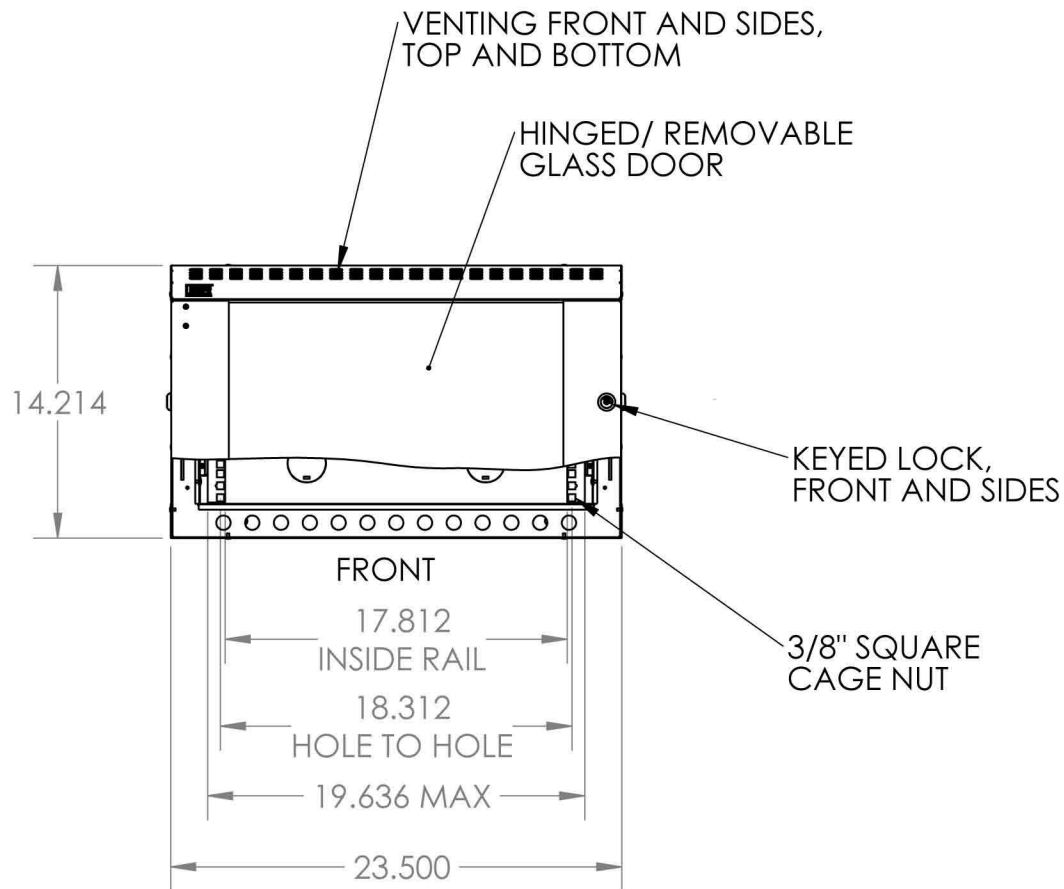


NOTE:
 22.5 MAX RAIL TO RAIL
 12.5 MIN RAIL TO RAIL



Distributed by : i-Tech Company LLC

TOLL FREE: (888) 483-2418

• EMAIL: info@iTechLCD.com

• WEB: www.iTechLCD.com

UNLESS OTHERWISE SPECIFIED:
 DIMENSIONS ARE IN INCHES
 TOLERANCES:
 FRACTIONAL ± 1/8
 ANGULAR: BEND ± 1 DEGREE
 TWO PLACE DECIMAL ± .03
 THREE PLACE DECIMAL ± .01

| | |
|----------------------|--|
| Surface Area | |
| MATERIAL | |
| FINISH | |
| DO NOT SCALE DRAWING | |

| | NAME | DATE |
|-----------|------|------|
| DRAWN | | |
| CHECKED | | |
| ENG APPR. | | |
| MFG APPR. | | |
| Q.A. | | |
| COMMENTS: | | |

| | | |
|---|-------------------------|--------------|
| KENDALL HOWARD | | |
| TITLE: 6U LINIER WM FIXED CABINET- GLASS DOOR | | |
| SIZE | DWG. NO. | REV |
| A | 3140-3-001-06 WP | |
| SCALE: 1:20 | WEIGHT: 32.79 | SHEET 1 OF 2 |

