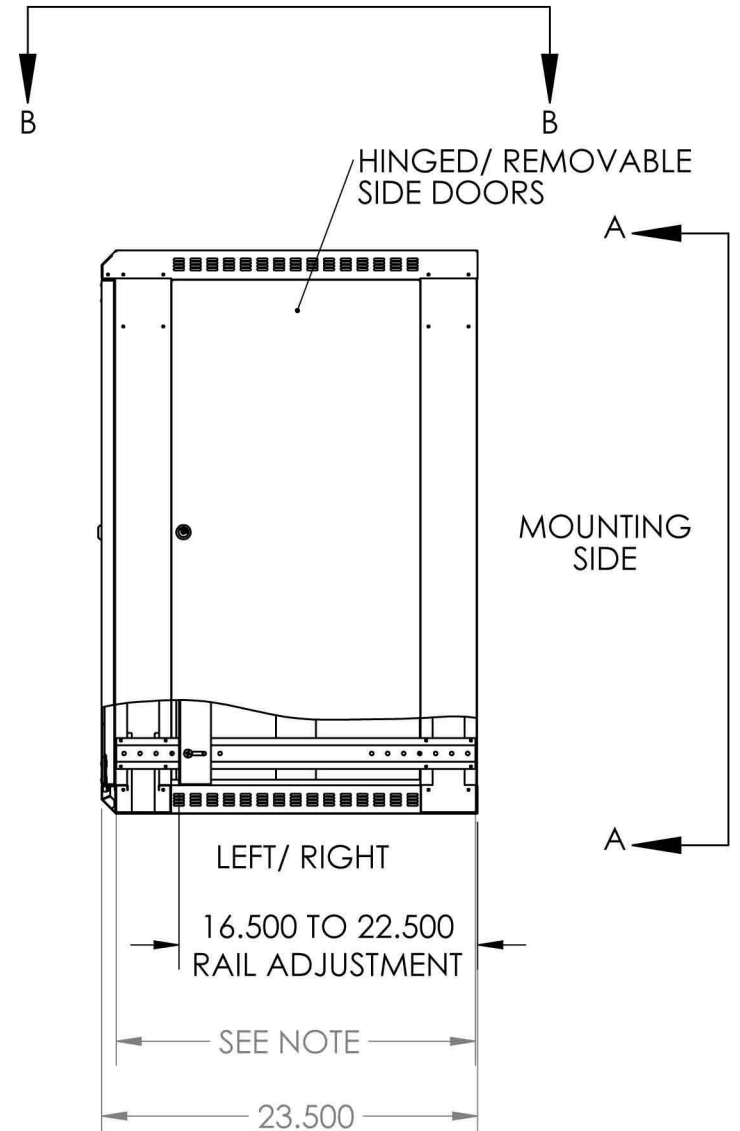
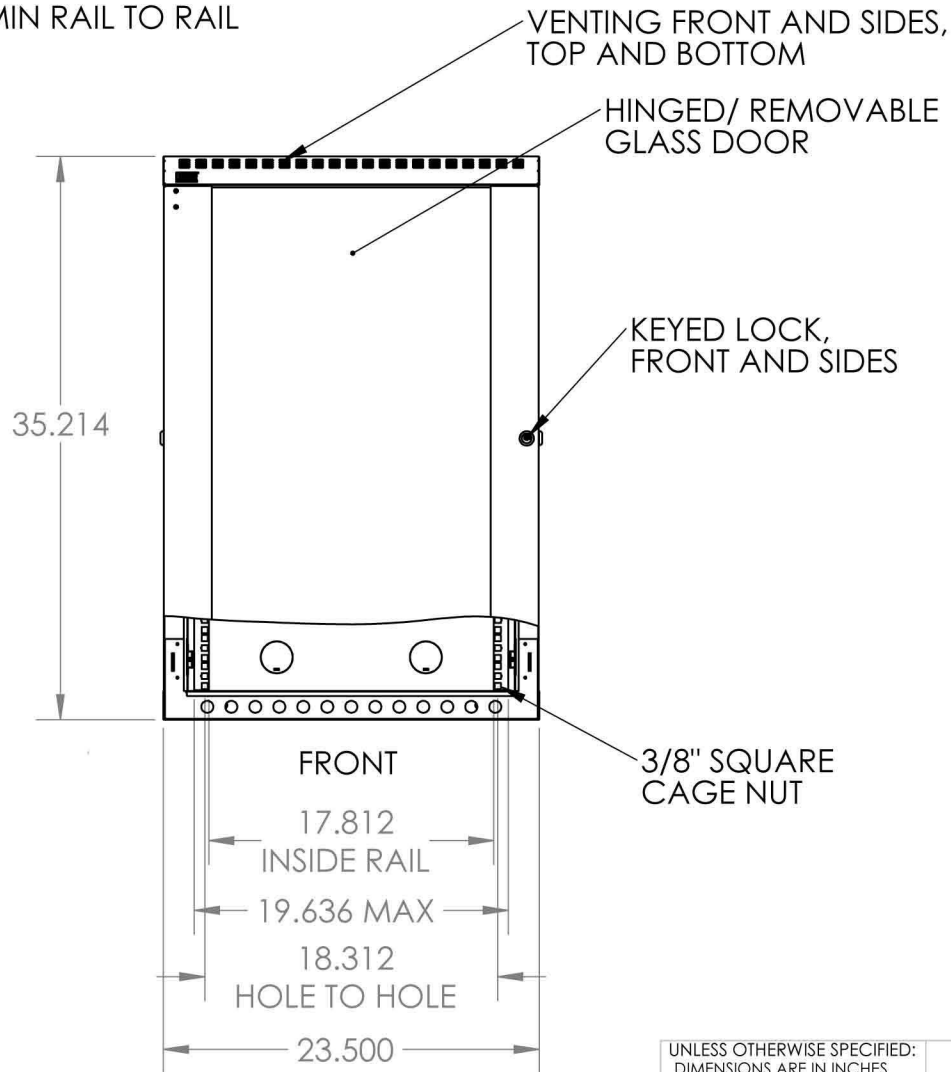


NOTE:  
 22.5 MAX RAIL TO RAIL  
 12.5 MIN RAIL TO RAIL



Distributed by : i-Tech Company LLC

TOLL FREE: (888) 483-2418

• EMAIL: [info@iTechLCD.com](mailto:info@iTechLCD.com)

• WEB: [www.iTechLCD.com](http://www.iTechLCD.com)

UNLESS OTHERWISE SPECIFIED:  
 DIMENSIONS ARE IN INCHES  
 TOLERANCES:  
 FRACTIONAL ±1/8  
 ANGULAR: BEND ± 1 DEGREE  
 TWO PLACE DECIMAL ±.03  
 THREE PLACE DECIMAL ±.01

Surface Area

MATERIAL

FINISH

DO NOT SCALE DRAWING

	NAME	DATE
DRAWN		
CHECKED		
ENG APPR.		
MFG APPR.		
Q.A.		
COMMENTS:		

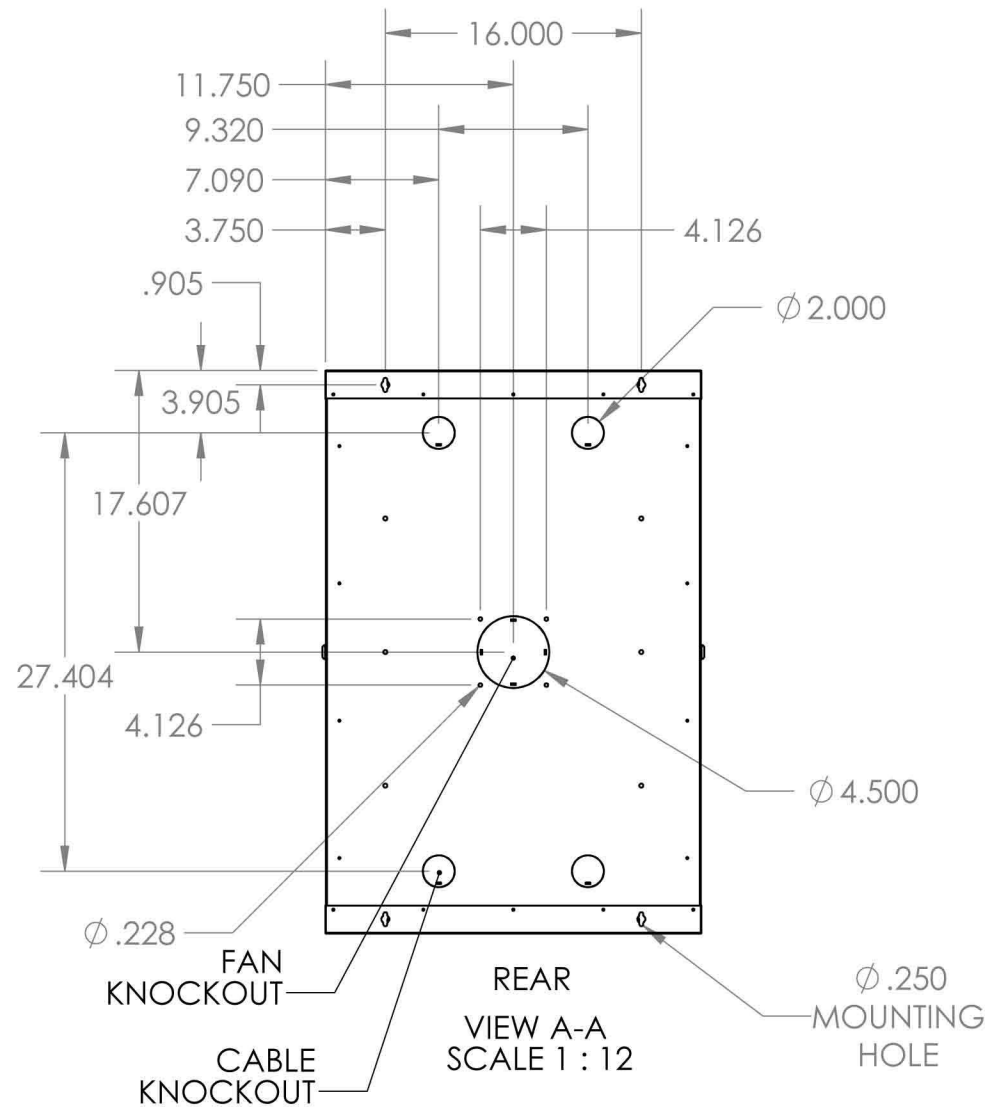
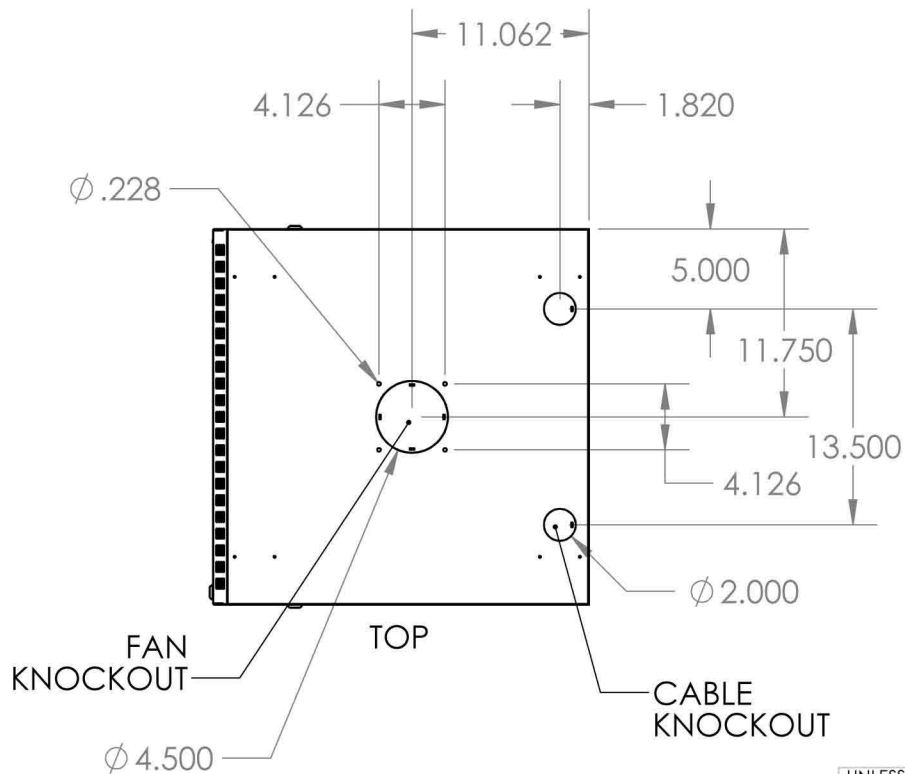
**KENDALL HOWARD**

TITLE:

**LINIER FIXED WALL MOUNT  
 CABINET- 18U GLASS DOOR**

SIZE	DWG. NO.	REV
<b>A</b>	<b>3140-3-001-18 WP</b>	<b>-</b>

SCALE: 1:20 WEIGHT: 60.46 SHEET 1 OF 2



UNLESS OTHERWISE SPECIFIED:  
DIMENSIONS ARE IN INCHES  
TOLERANCES:  
FRACTIONAL ±1/8  
ANGULAR: BEND ±1 DEGREE  
TWO PLACE DECIMAL ±.03  
THREE PLACE DECIMAL ±.01

Surface Area

MATERIAL

FINISH

DO NOT SCALE DRAWING

	NAME	DATE
DRAWN		
CHECKED		
ENG APPR.		
MFG APPR.		
Q.A.		
COMMENTS:		

**KENDALL HOWARD**

TITLE:

**LINIER FIXED WALL MOUNT  
CABINET- 18U GLASS DOOR**

SIZE DWG. NO.

**A 3140-3-001-18 WP**

REV

**-**

SCALE: 1:20 WEIGHT: 60.46

SHEET 2 OF 2



Distributed by : i-Tech Company LLC

TOLL FREE: (888) 483-2418

• EMAIL: [info@iTechLCD.com](mailto:info@iTechLCD.com)

• WEB: [www.iTechLCD.com](http://www.iTechLCD.com)