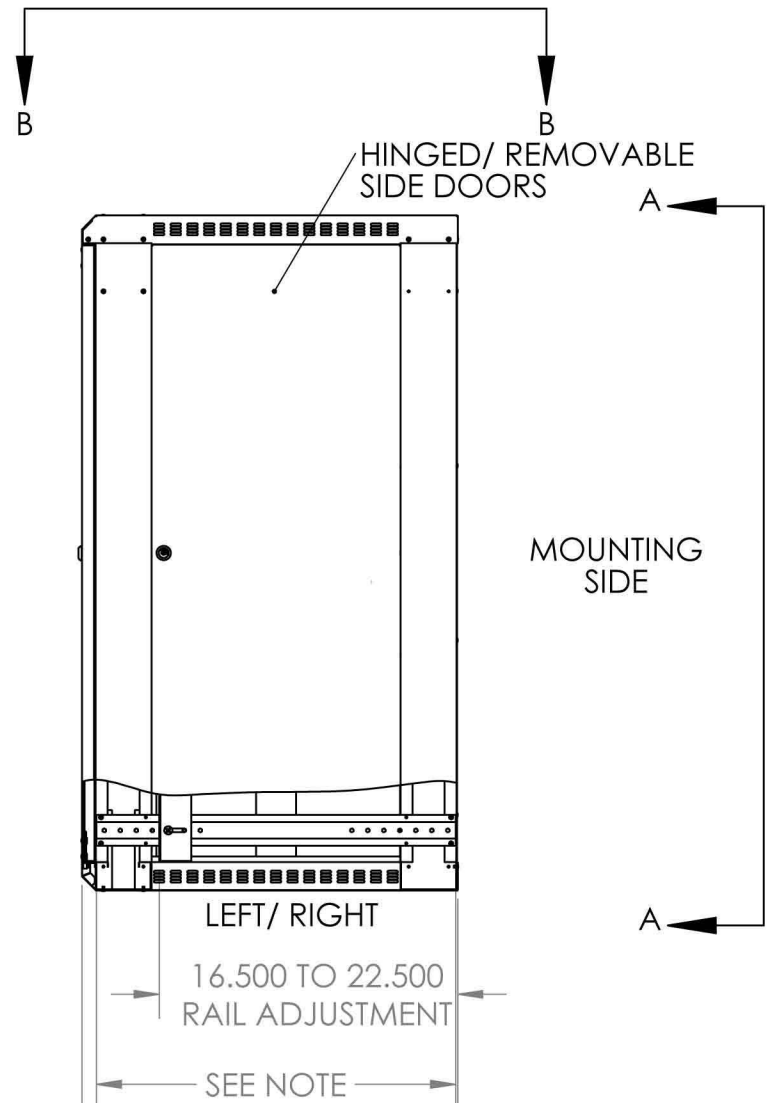
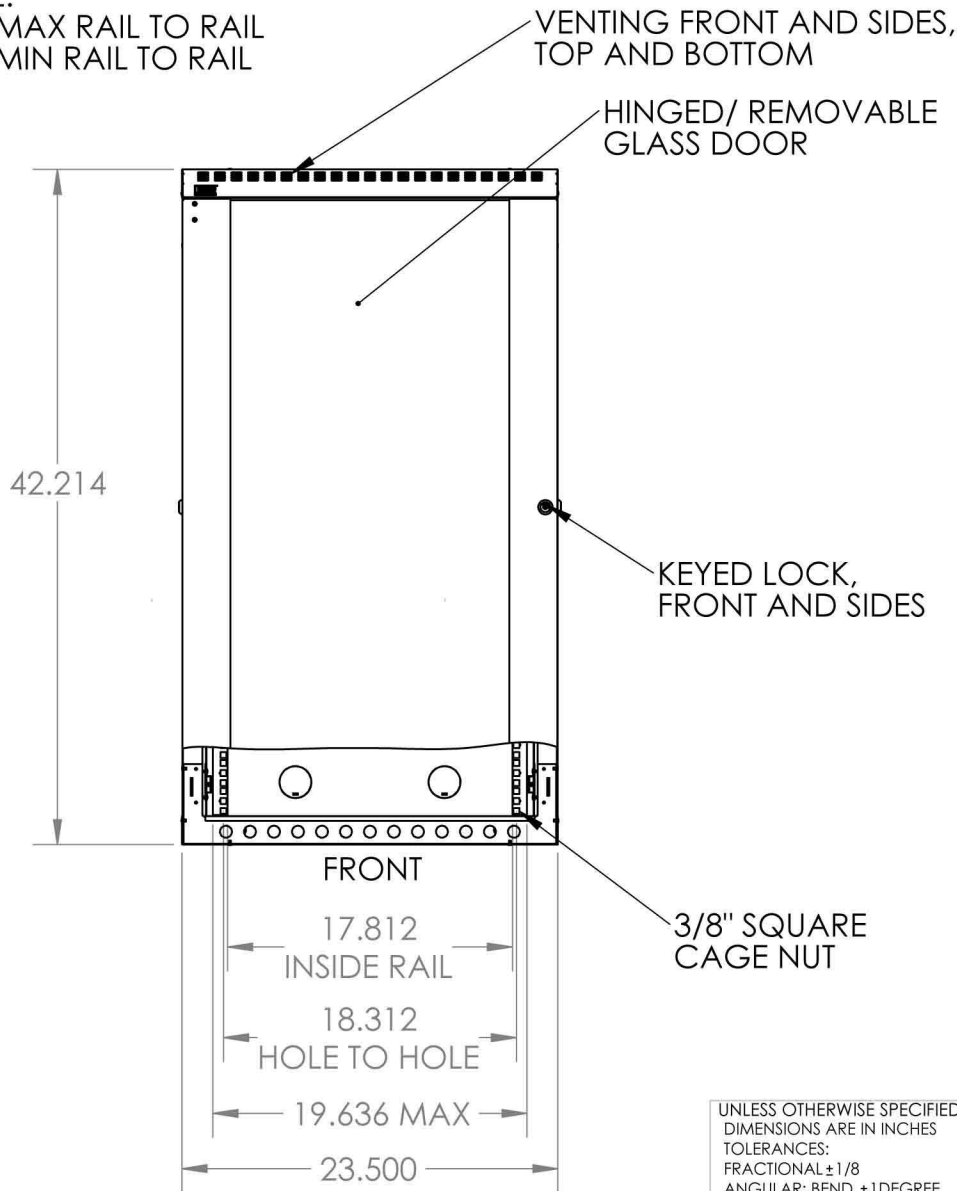


NOTE:
22.5 MAX RAIL TO RAIL
12.5 MIN RAIL TO RAIL



UNLESS OTHERWISE SPECIFIED:
DIMENSIONS ARE IN INCHES
TOLERANCES:
FRACTIONAL ± 1/8
ANGULAR: BEND ± 1 DEGREE
TWO PLACE DECIMAL ± .03
THREE PLACE DECIMAL ± .01

Surface Area	NAME	DATE
MATERIAL		
FINISH		
DO NOT SCALE DRAWING		

DRAWN		
CHECKED		
ENG APPR.		
MFG APPR.		
Q.A.		
COMMENTS:		

23.500

KENDALL HOWARD

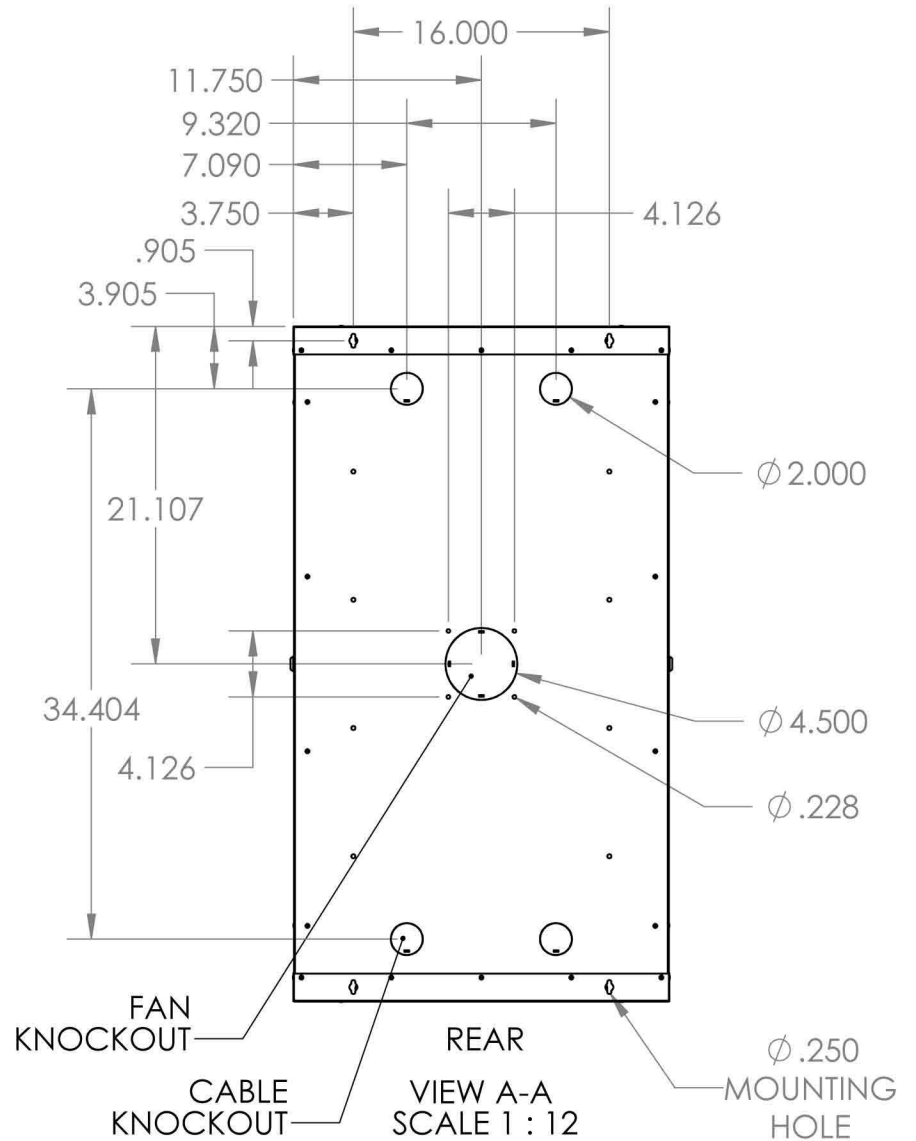
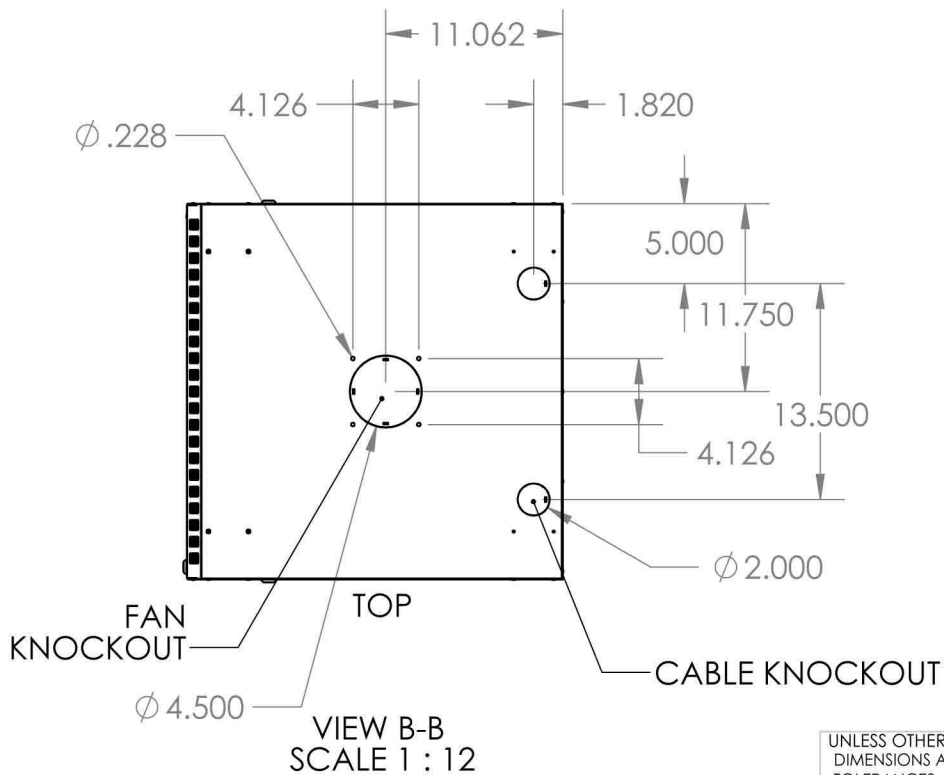
TITLE:
**22U LINIER WM FIXED
CABINET- GLASS DOOR**

SIZE	DWG. NO.	REV
A	3140-3-001-22 WP	

SCALE: 1:20 WEIGHT: 69.03 SHEET 1 OF 2



Distributed by : i-Tech Company LLC
TOLL FREE: (888) 483-2418
• EMAIL: info@iTechLCD.com
• WEB: www.iTechLCD.com



UNLESS OTHERWISE SPECIFIED:
 DIMENSIONS ARE IN INCHES
 TOLERANCES:
 FRACTIONAL ± 1/8
 ANGULAR: BEND ± 1 DEGREE
 TWO PLACE DECIMAL ± .03
 THREE PLACE DECIMAL ± .01

Surface Area	NAME	DATE
MATERIAL	DRAWN	
FINISH	CHECKED	
	ENG APPR.	
	MFG APPR.	
	Q.A.	
	COMMENTS:	

DO NOT SCALE DRAWING

KENDALL HOWARD

TITLE:
**22U LINIER WM FIXED
 CABINET- GLASS DOOR**

SIZE	DWG. NO.	REV
A	3140-3-001-22 WP	

SCALE: 1:20 WEIGHT: 69.03 SHEET 2 OF 2



Distributed by : i-Tech Company LLC

TOLL FREE: (888) 483-2418

• EMAIL: info@iTechLCD.com

• WEB: www.iTechLCD.com