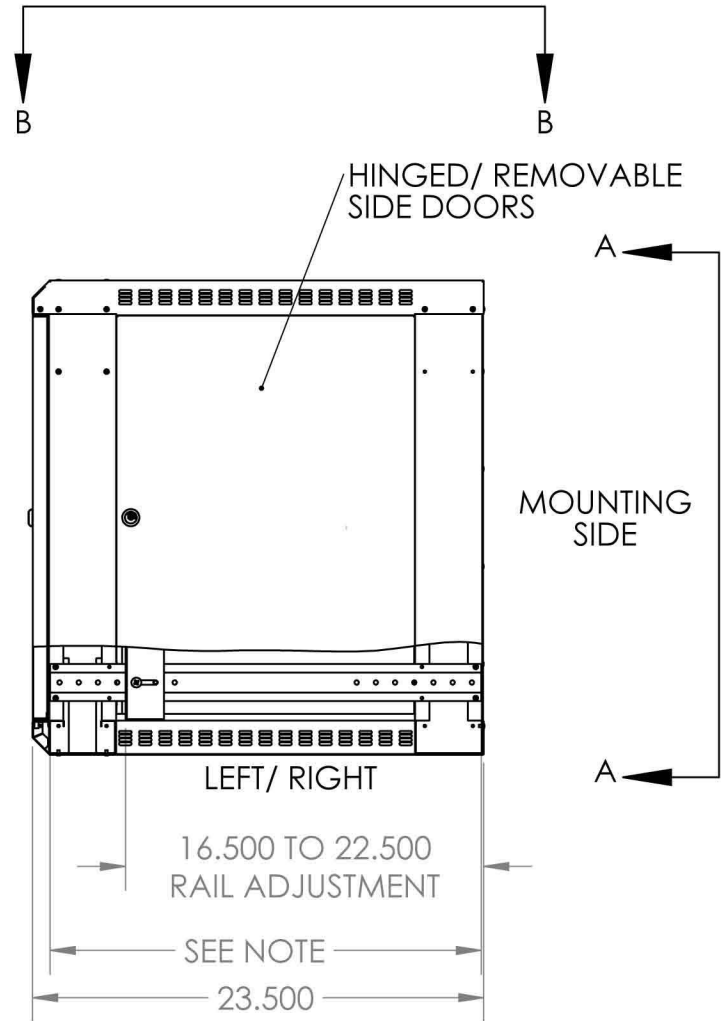
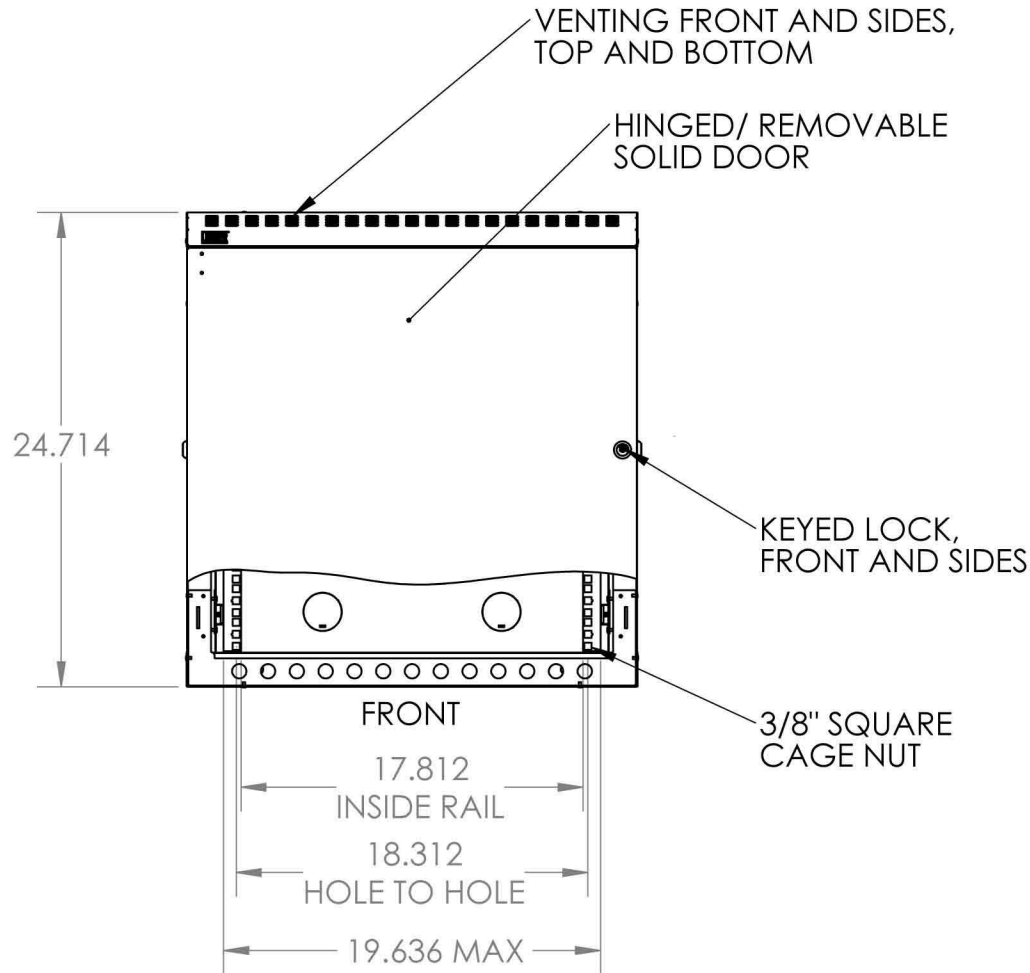


NOTE:  
 22.5 MAX RAIL TO RAIL  
 12.5 MIN RAIL TO RAIL



UNLESS OTHERWISE SPECIFIED:  
 DIMENSIONS ARE IN INCHES  
 TOLERANCES:  
 FRACTIONAL ± 1/8  
 ANGULAR: BEND ± 1 DEGREE  
 TWO PLACE DECIMAL ± .03  
 THREE PLACE DECIMAL ± .01

Surface Area	NAME	DATE
MATERIAL	DRAWN	
FINISH	CHECKED	
DO NOT SCALE DRAWING	ENG APPR.	
	MFG APPR.	
	Q.A.	
	COMMENTS:	

**KENDALL HOWARD**

TITLE:  
**12U LINIER WM FIXED  
 CABINET- SOLID DOOR**

SIZE	DWG. NO.	REV
<b>A</b>	<b>3141-3-001-12 WP</b>	

SCALE: 1:20 WEIGHT: 45.83 SHEET 1 OF 2

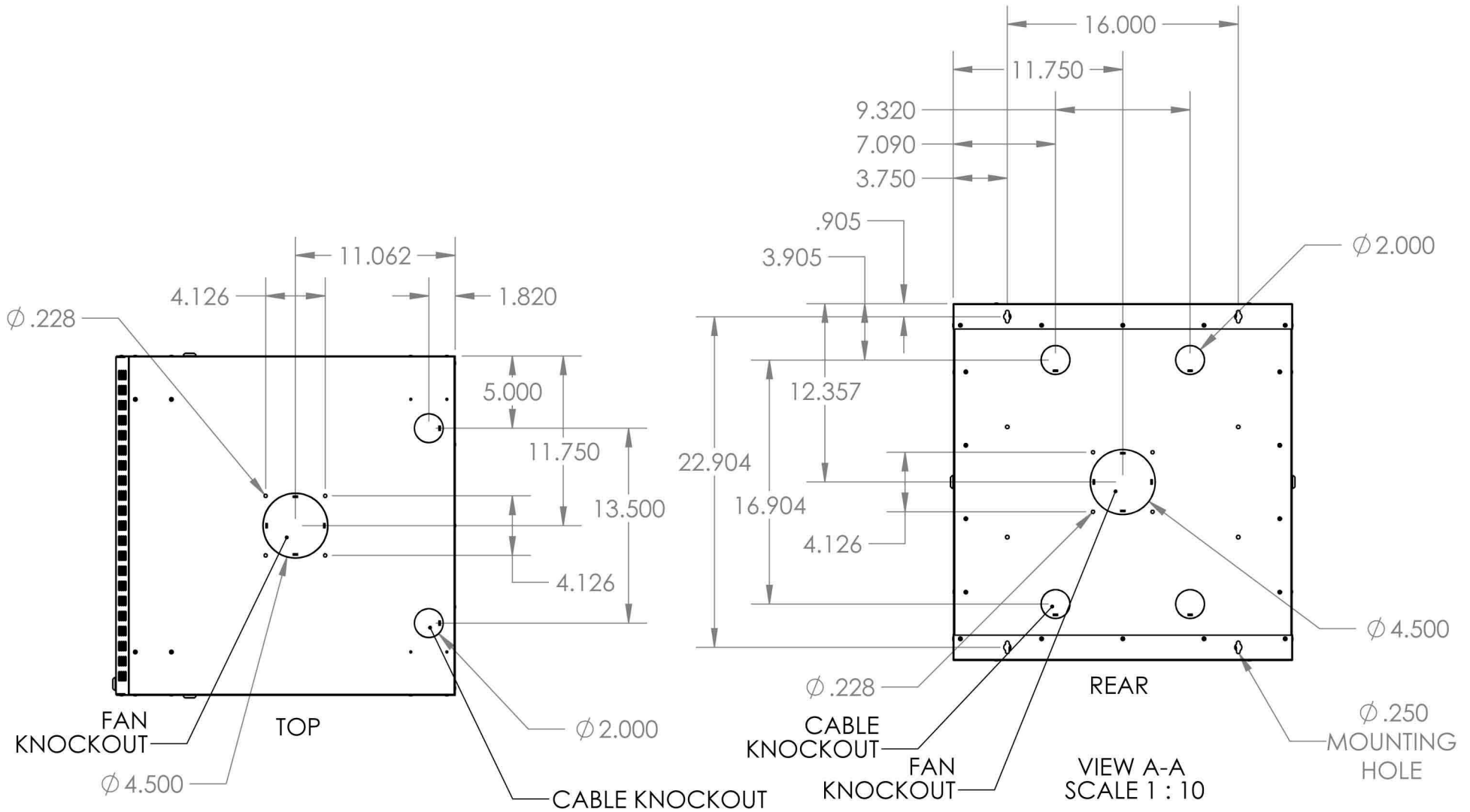
Distributed by : i-Tech Company LLC

TOLL FREE: (888) 483-2418

• EMAIL: [info@iTechLCD.com](mailto:info@iTechLCD.com)

• WEB: [www.iTechLCD.com](http://www.iTechLCD.com)





VIEW B-B  
SCALE 1 : 10

VIEW A-A  
SCALE 1 : 10

UNLESS OTHERWISE SPECIFIED:  
DIMENSIONS ARE IN INCHES  
TOLERANCES:  
FRACTIONAL ± 1/8  
ANGULAR: BEND ± 1 DEGREE  
TWO PLACE DECIMAL ± .03  
THREE PLACE DECIMAL ± .01

Surface Area	NAME	DATE
MATERIAL	DRAWN	
FINISH	CHECKED	
DO NOT SCALE DRAWING	ENG APPR.	
	MFG APPR.	
	Q.A.	
	COMMENTS:	

**KENDALL HOWARD**

TITLE:  
**12U LINIER WM FIXED  
CABINET- SOLID DOOR**

SIZE	DWG. NO.	REV
<b>A</b>	<b>3141-3-001-12 WP</b>	

SCALE: 1:20 WEIGHT: 45.83 SHEET 2 OF 2



Distributed by : i-Tech Company LLC

TOLL FREE: (888) 483-2418

• EMAIL: [info@iTechLCD.com](mailto:info@iTechLCD.com)

• WEB: [www.iTechLCD.com](http://www.iTechLCD.com)