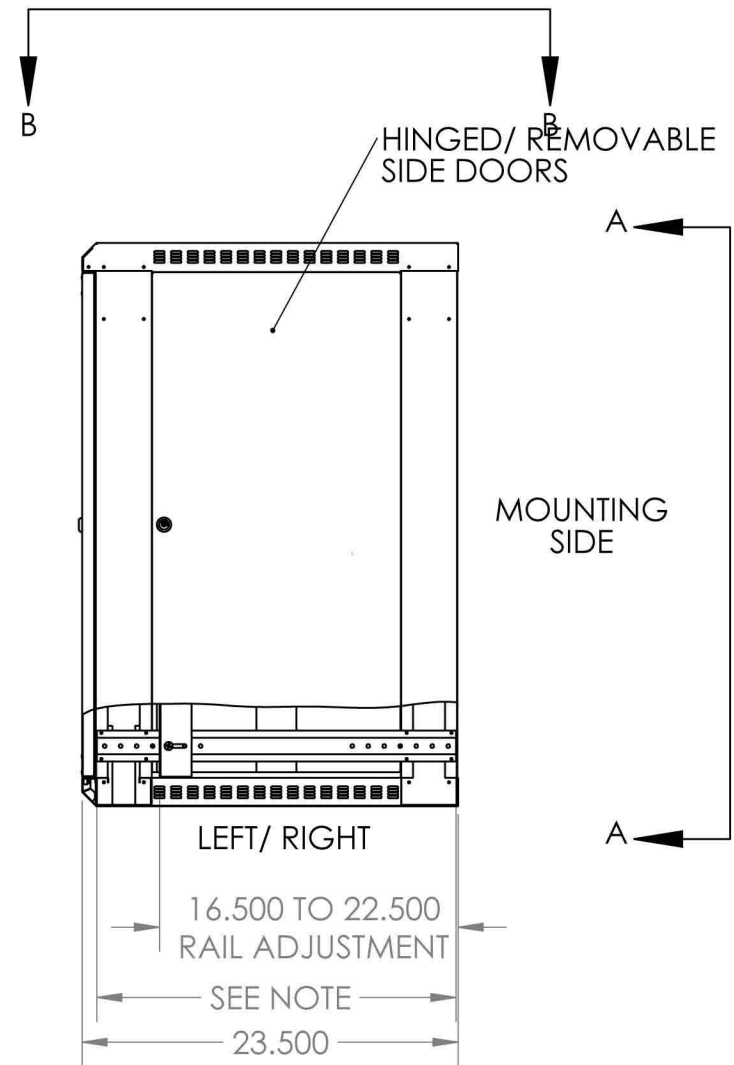
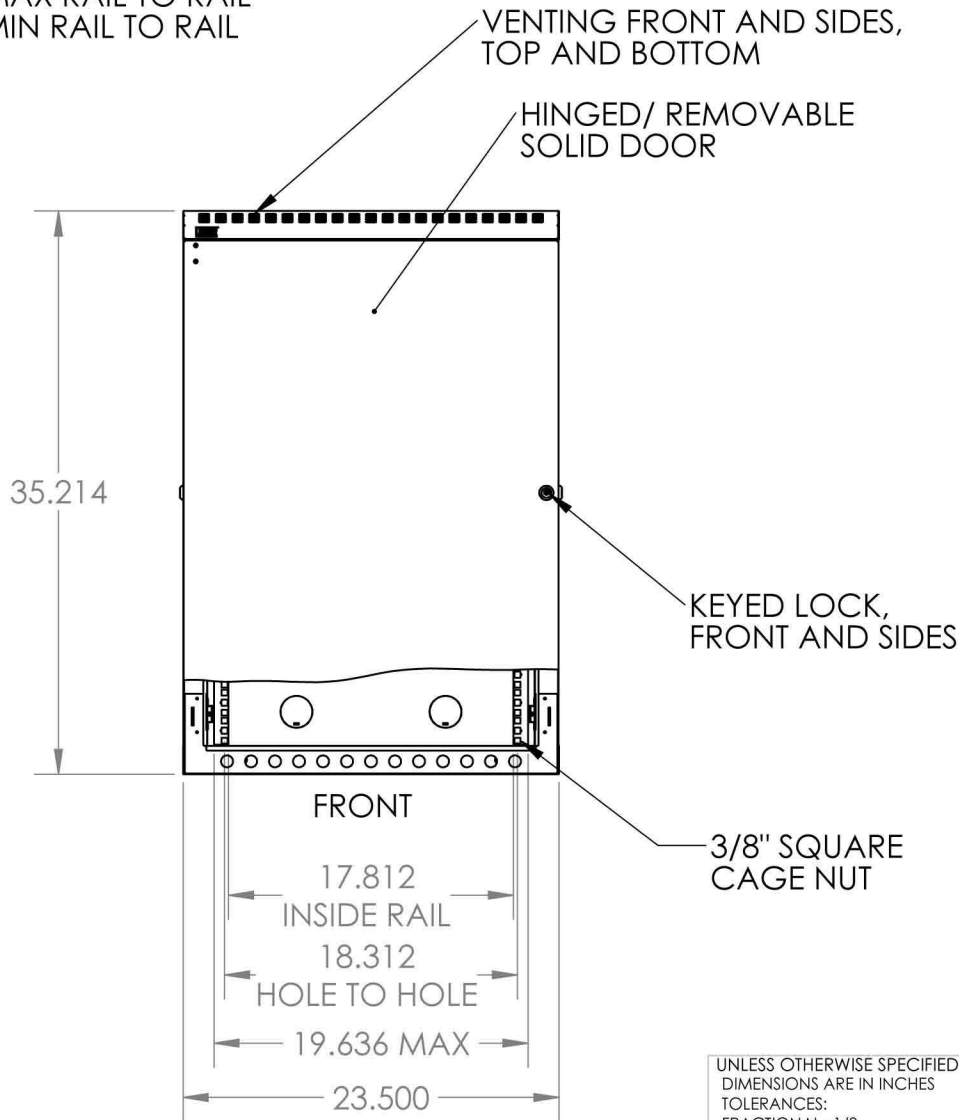


NOTE:
 22.5 MAX RAIL TO RAIL
 12.5 MIN RAIL TO RAIL



Distributed by : i-Tech Company LLC

TOLL FREE: (888) 483-2418

• EMAIL: info@iTechLCD.com

• WEB: www.iTechLCD.com

UNLESS OTHERWISE SPECIFIED:
 DIMENSIONS ARE IN INCHES
 TOLERANCES:
 FRACTIONAL ± 1/8
 ANGULAR: BEND ± 1 DEGREE
 TWO PLACE DECIMAL ± .03
 THREE PLACE DECIMAL ± .01

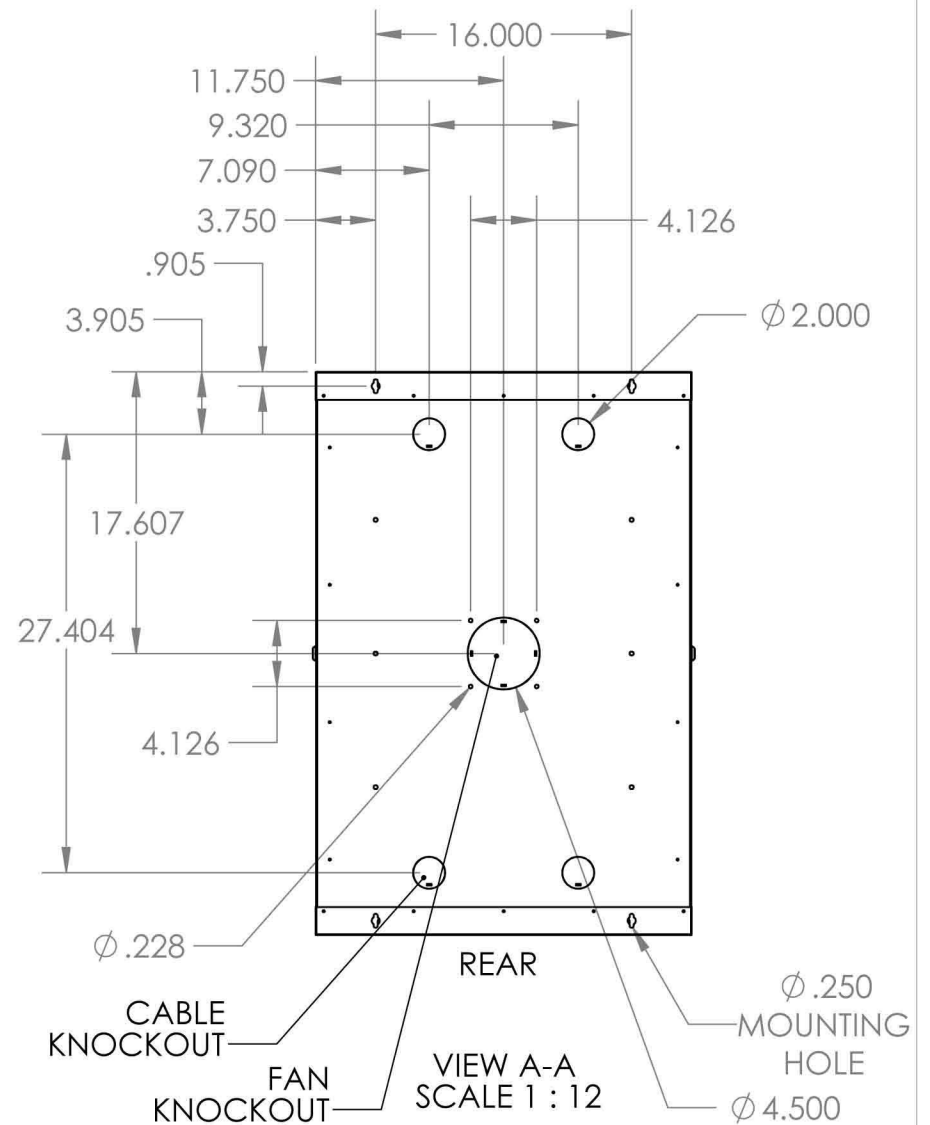
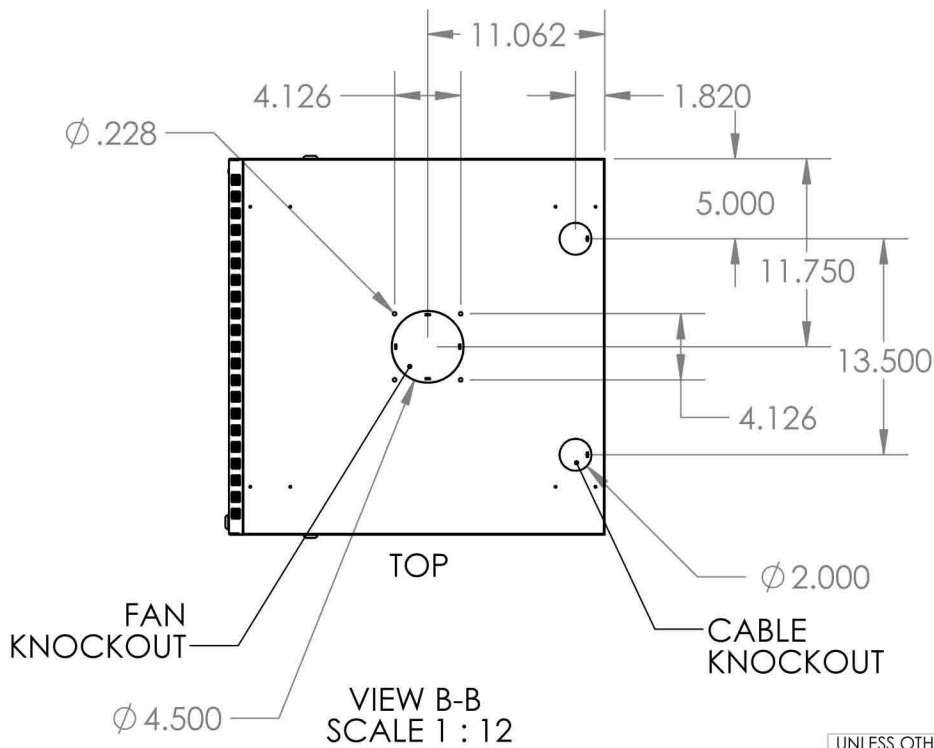
Surface Area	NAME	DATE
MATERIAL	DRAWN	
FINISH	CHECKED	
DO NOT SCALE DRAWING	ENG APPR.	
	MFG APPR.	
	Q.A.	
	COMMENTS:	

KENDALL HOWARD

TITLE:
 18U LINIER WM FIXED
 CABINET- SOLID DOOR

SIZE	DWG. NO.	REV
A	3141-3-001-18 WP	

SCALE: 1:20 WEIGHT: 60.03 SHEET 1 OF 2



UNLESS OTHERWISE SPECIFIED:
DIMENSIONS ARE IN INCHES
TOLERANCES:
FRACTIONAL ± 1/8
ANGULAR: BEND ± 1 DEGREE
TWO PLACE DECIMAL ± .03
THREE PLACE DECIMAL ± .01

Surface Area
MATERIAL
FINISH
DO NOT SCALE DRAWING

	NAME	DATE
DRAWN		
CHECKED		
ENG APPR.		
MFG APPR.		
Q.A.		
COMMENTS:		

KENDALL HOWARD		
TITLE: 18U LINIER WM FIXED CABINET- SOLID DOOR		
SIZE A	DWG. NO. 3141-3-001-18 WP	REV
SCALE: 1:20	WEIGHT: 60.03	SHEET 2 OF 2



Distributed by : i-Tech Company LLC

TOLL FREE: (888) 483-2418

• EMAIL: info@iTechLCD.com

• WEB: www.iTechLCD.com