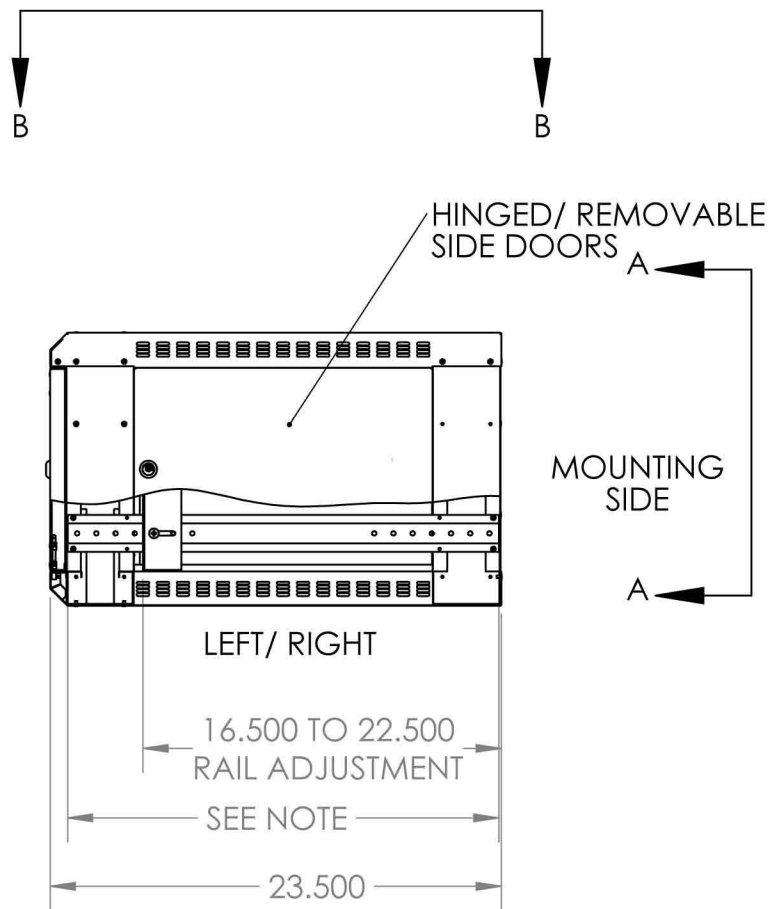
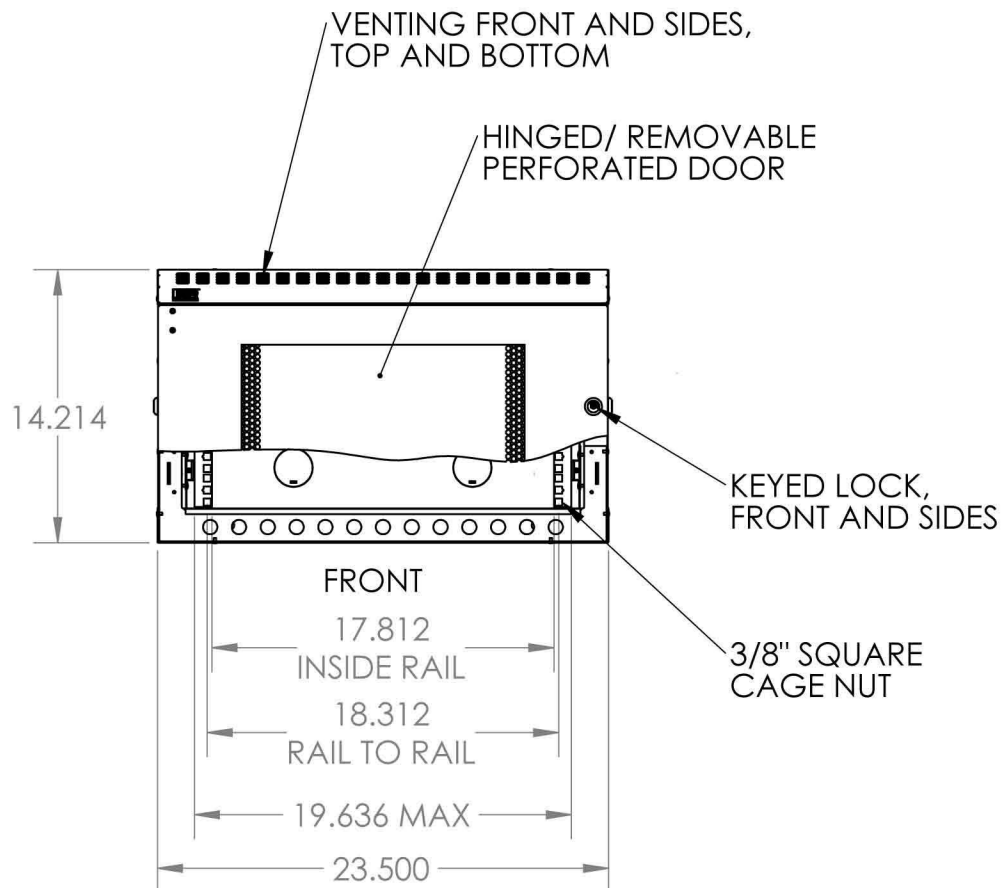


NOTE:
 22.5 MAX RAIL TO RAIL
 12.5 MIN RAIL TO RAIL



Distributed by : i-Tech Company LLC

TOLL FREE: (888) 483-2418

• EMAIL: info@iTechLCD.com

• WEB: www.iTechLCD.com

UNLESS OTHERWISE SPECIFIED:
 DIMENSIONS ARE IN INCHES
 TOLERANCES:
 FRACTIONAL ± 1/8
 ANGULAR: BEND ± 1 DEGREE
 TWO PLACE DECIMAL ± .03
 THREE PLACE DECIMAL ± .01

Surface Area	
MATERIAL	
FINISH	
DO NOT SCALE DRAWING	

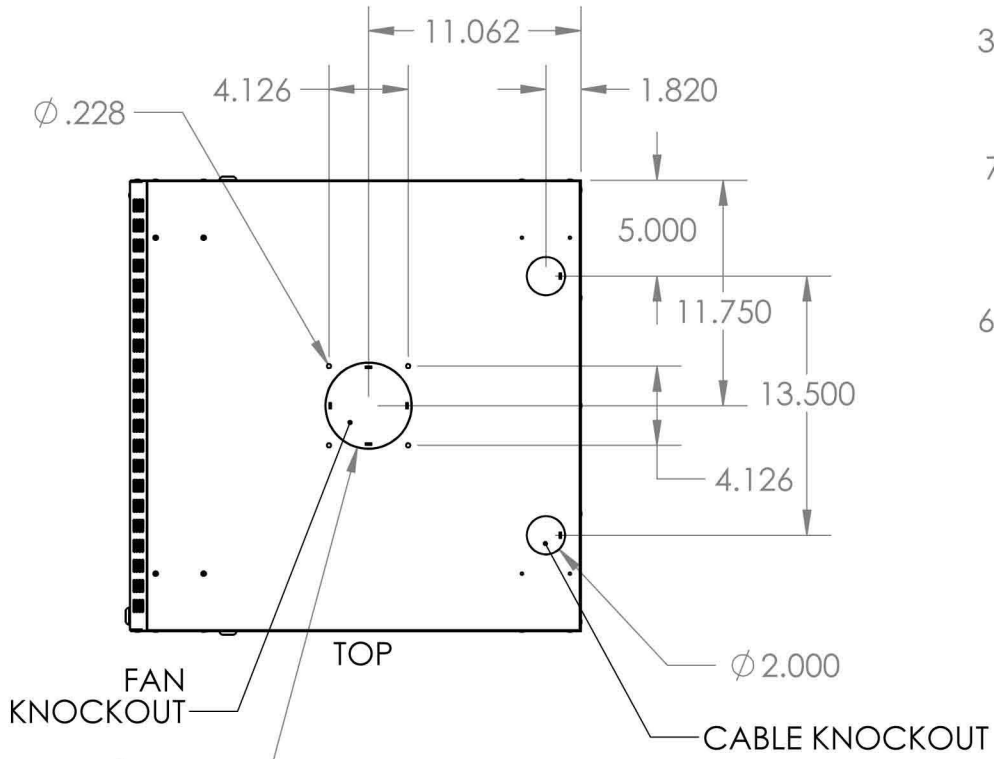
	NAME	DATE
DRAWN		
CHECKED		
ENG APPR.		
MFG APPR.		
Q.A.		
COMMENTS:		

KENDALL HOWARD

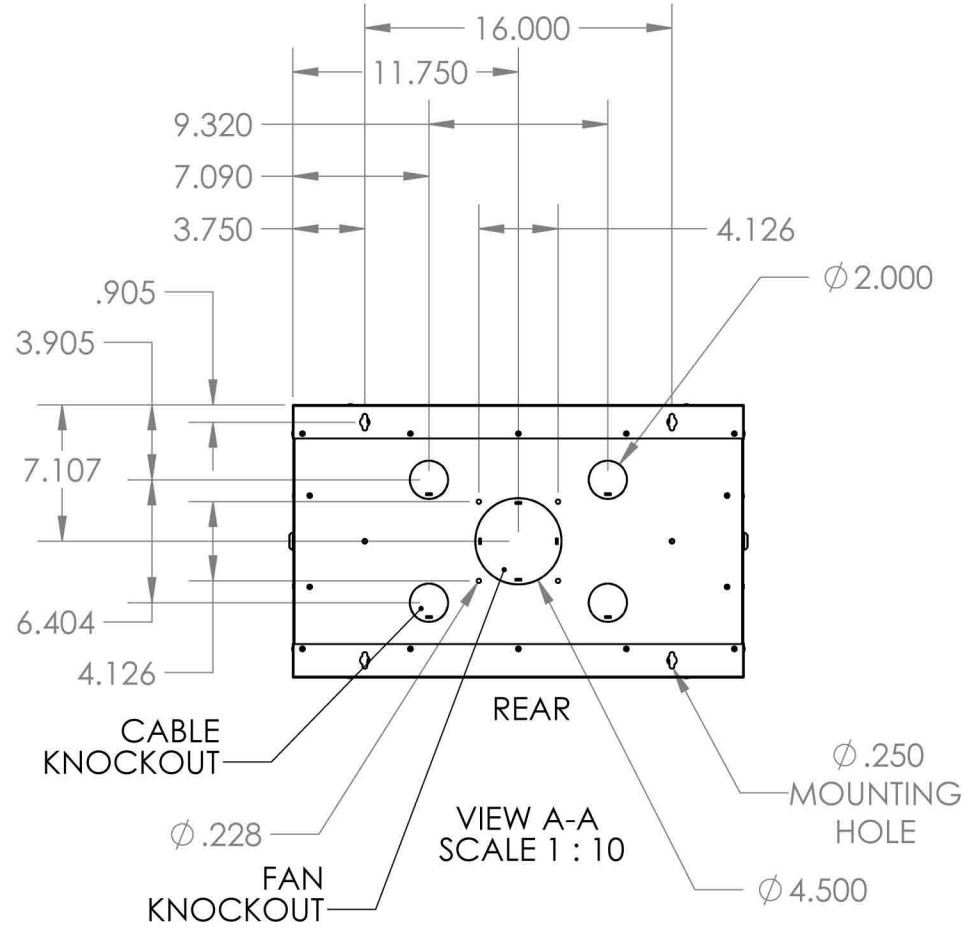
TITLE:
6U LINIER WM FIXED CABINET, PERFORATED DOOR

SIZE	DWG. NO.	REV
A	3142-3-001-06 WP	

SCALE: 1:20 WEIGHT: 32.59 SHEET 1 OF 2



VIEW B-B
SCALE 1 : 10



VIEW A-A
SCALE 1 : 10



Distributed by : i-Tech Company LLC
 TOLL FREE: (888) 483-2418
 • EMAIL: info@iTechLCD.com
 • WEB: www.iTechLCD.com

UNLESS OTHERWISE SPECIFIED:
 DIMENSIONS ARE IN INCHES
 TOLERANCES:
 FRACTIONAL ±1/8
 ANGULAR: BEND ±1 DEGREE
 TWO PLACE DECIMAL ±.03
 THREE PLACE DECIMAL ±.01

Surface Area	NAME	DATE
MATERIAL	DRAWN	
FINISH	CHECKED	
	ENG APPR.	
	MFG APPR.	
	Q.A.	
	COMMENTS:	
DO NOT SCALE DRAWING		

KENDALL HOWARD

TITLE:
**6U LINIER WM FIXED
 CABINET, PERFORATED
 DOOR**

SIZE	DWG. NO.	REV
A	3142-3-001-06 WP	
SCALE: 1:20	WEIGHT: 32.59	SHEET 2 OF 2