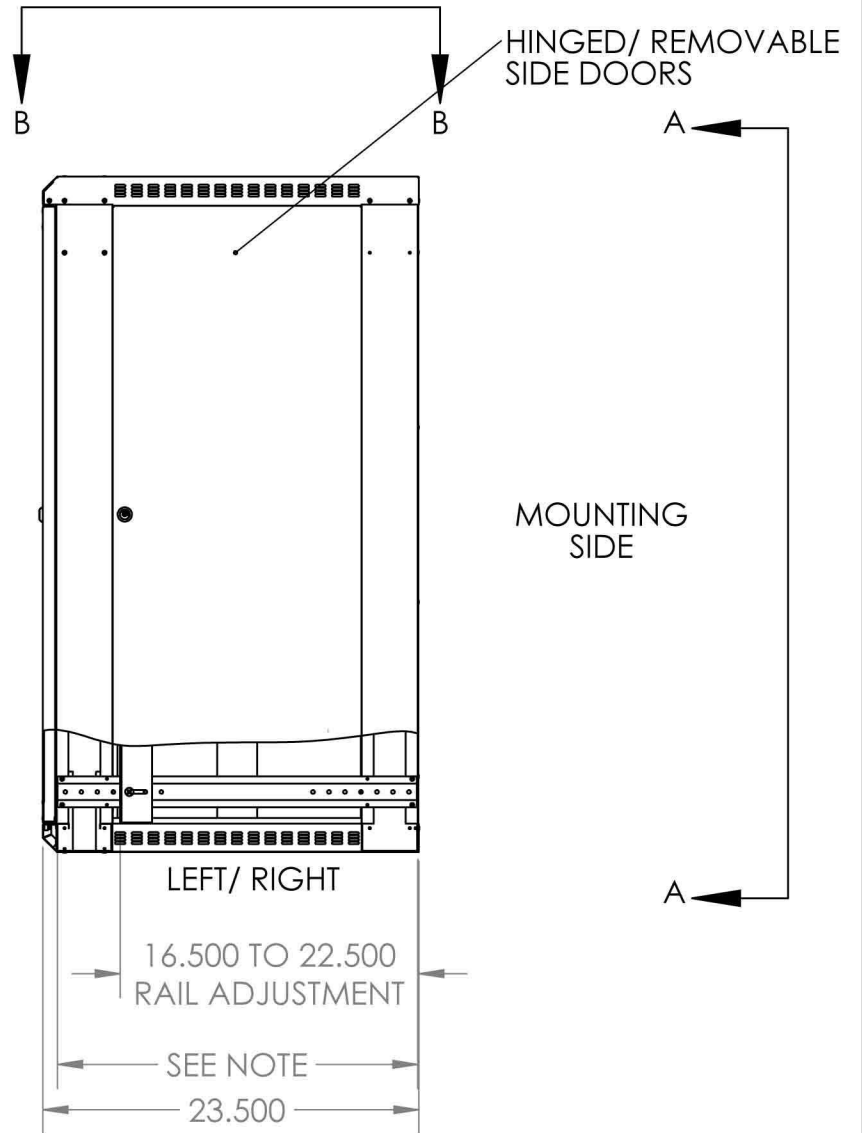
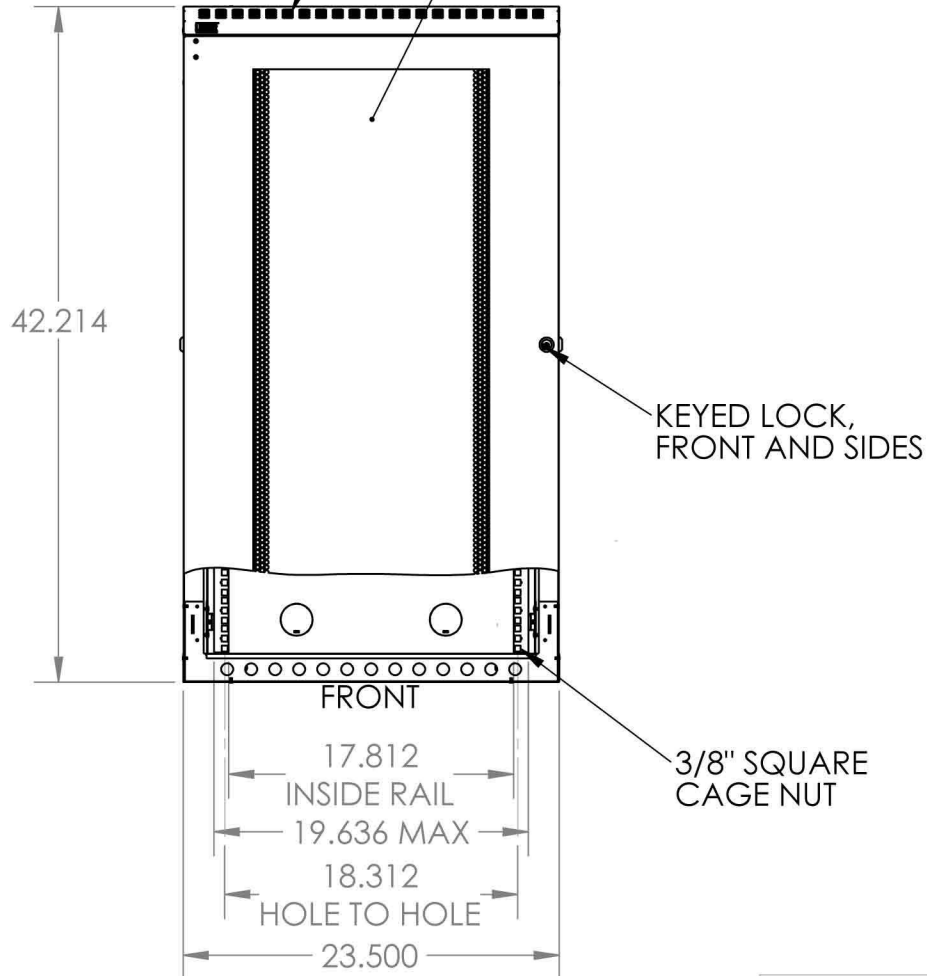


NOTE:
22.5 MAX RAIL TO RAIL
12.5 MIN RAIL TO RAIL

VENTING FRONT AND SIDES,
TOP AND BOTTOM

HINGED/ REMOVABLE
PERFORATED DOOR



UNLESS OTHERWISE SPECIFIED:
DIMENSIONS ARE IN INCHES
TOLERANCES:
FRACTIONAL ± 1/8
ANGULAR: BEND ± 1 DEGREE
TWO PLACE DECIMAL ± .03
THREE PLACE DECIMAL ± .01

Surface Area			
MATERIAL			
FINISH			
DO NOT SCALE DRAWING			

	NAME	DATE
DRAWN		
CHECKED		
ENG APPR.		
MFG APPR.		
Q.A.		
COMMENTS:		

KENDALL HOWARD

TITLE:
**22U LINIER WM FIXED
CABINET, PERFORATED
DOOR**

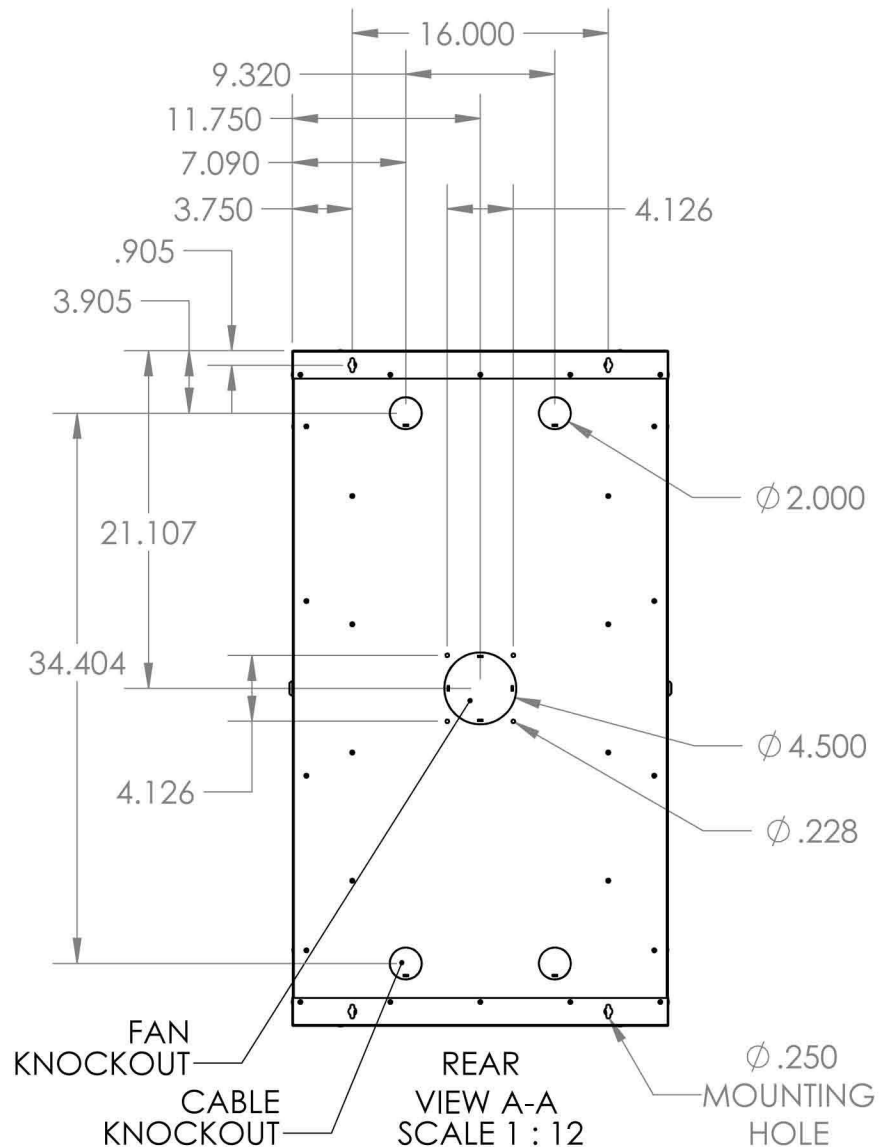
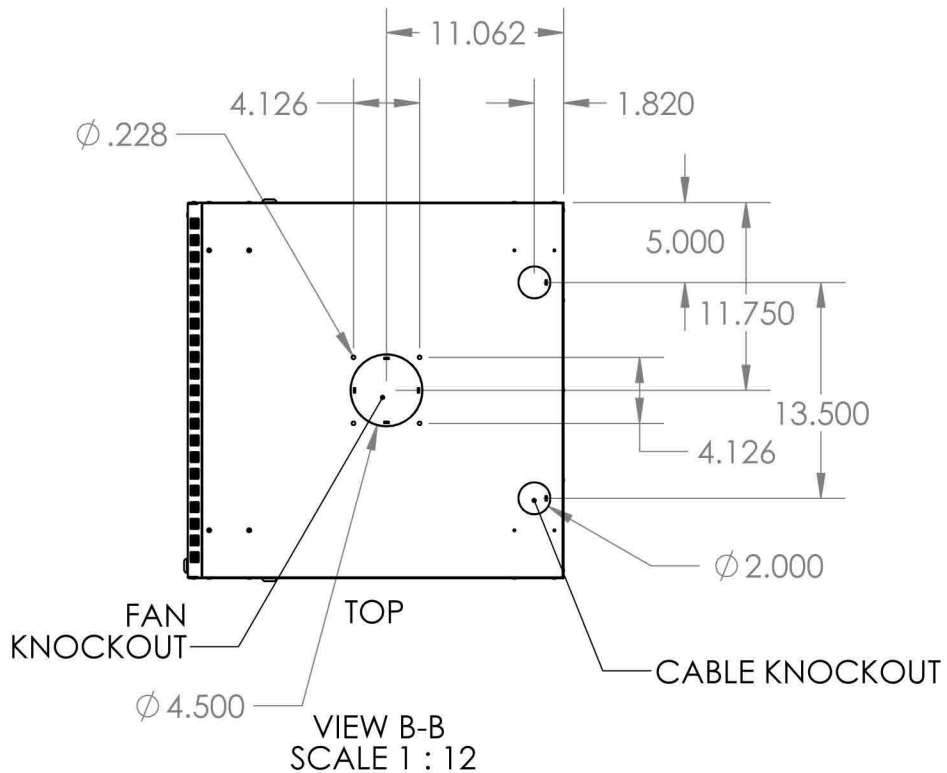
SIZE	DWG. NO.	REV
A	3142-3-001-22 WP	
SCALE: 1:20	WEIGHT: 68.89	SHEET 1 OF 2

Distributed by : i-Tech Company LLC

TOLL FREE: (888) 483-2418

- EMAIL: info@iTechLCD.com
- WEB: www.iTechLCD.com





UNLESS OTHERWISE SPECIFIED:
DIMENSIONS ARE IN INCHES
TOLERANCES:
FRACTIONAL ± 1/8
ANGULAR: BEND ± 1 DEGREE
TWO PLACE DECIMAL ± .03
THREE PLACE DECIMAL ± .01

Surface Area	
MATERIAL	
FINISH	
DO NOT SCALE DRAWING	

	NAME	DATE
DRAWN		
CHECKED		
ENG APPR.		
MFG APPR.		
Q.A.		
COMMENTS:		

KENDALL HOWARD

TITLE: 22U LINIER WM FIXED CABINET, PERFORATED DOOR		
SIZE	DWG. NO.	REV
A	3142-3-001-22 WP	
SCALE: 1:20	WEIGHT: 68.89	SHEET 2 OF 2



Distributed by : i-Tech Company LLC
TOLL FREE: (888) 483-2418
• EMAIL: info@iTechLCD.com
• WEB: www.iTechLCD.com