

VENTING FRONT,  
SIDES AND REAR,  
TOP AND BOTTOM

UNLESS OTHERWISE SPECIFIED:  
DIMENSIONS ARE IN INCHES  
TOLERANCES:  
FRACTIONAL ± 1/8  
ANGULAR: BEND ± 1 DEGREE  
TWO PLACE DECIMAL ± .03  
THREE PLACE DECIMAL ± .01

SURFACE AREA	NAME	DATE
MATERIAL	DRAWN	
FINISH	CHECKED	
	ENG APPR.	
	MFG APPR.	
	Q.A.	
	COMMENTS:	

DO NOT SCALE DRAWING

**KENDALL HOWARD**

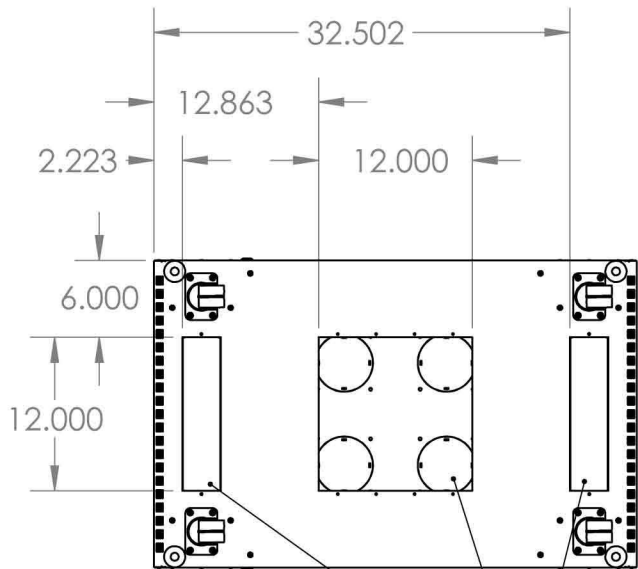
TITLE:  
**42U LINIER FS  
NO DOORS**

SIZE	DWG. NO.	REV
<b>A</b>	<b>3180-3-001-42 WP</b>	

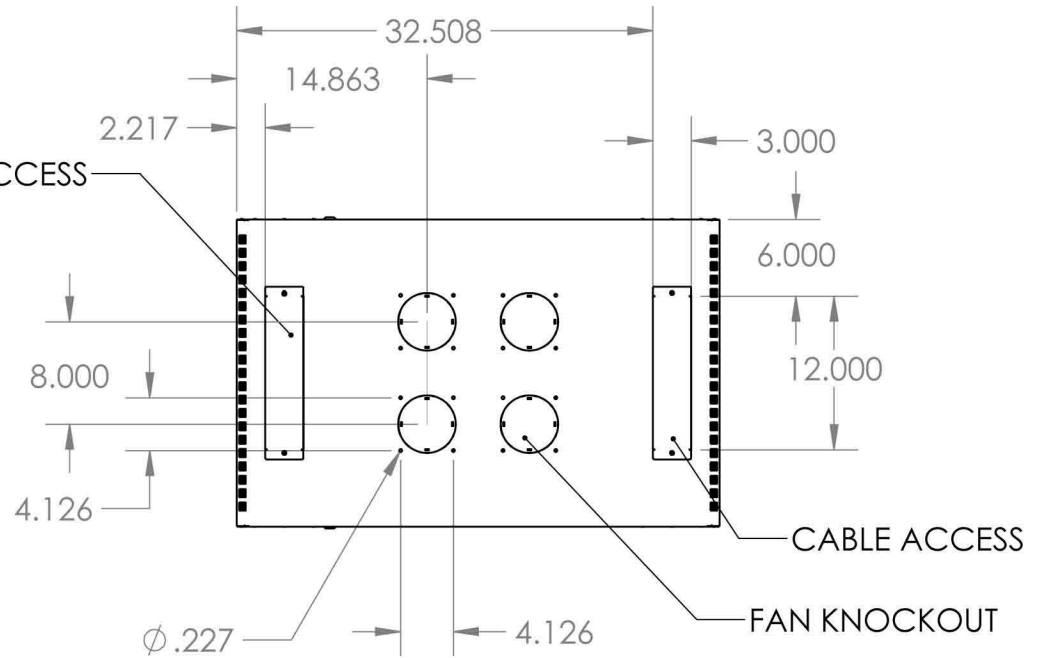
SCALE: 1:20 WEIGHT: 131.22 SHEET 1 OF 2



Distributed by : i-Tech Company LLC  
TOLL FREE: (888) 483-2418  
• EMAIL: [info@iTechLCD.com](mailto:info@iTechLCD.com)  
• WEB: [www.iTechLCD.com](http://www.iTechLCD.com)



VIEW A-A  
SCALE 1 : 15  
BOTTOM VIEW



VIEW B-B  
SCALE 1 : 15  
TOP VIEW



Distributed by : i-Tech Company LLC

TOLL FREE: (888) 483-2418

• EMAIL: [info@iTechLCD.com](mailto:info@iTechLCD.com)

• WEB: [www.iTechLCD.com](http://www.iTechLCD.com)

UNLESS OTHERWISE SPECIFIED:  
DIMENSIONS ARE IN INCHES  
TOLERANCES:  
FRACTIONAL  $\pm 1/8$   
ANGULAR: BEND  $\pm 1$  DEGREE  
TWO PLACE DECIMAL  $\pm .03$   
THREE PLACE DECIMAL  $\pm .01$

Surface Area

MATERIAL

FINISH

DO NOT SCALE DRAWING

	NAME	DATE
DRAWN		
CHECKED		
ENG APPR.		
MFG APPR.		
Q.A.		
COMMENTS:		

**KENDALL HOWARD**

TITLE:  
**42U LINIER FS  
NO DOORS**

SIZE	DWG. NO.	REV
<b>A</b>	<b>3180-3-001-42 WP</b>	

SCALE: 1:20 WEIGHT: 131.22 SHEET 2 OF 2