

VENTING FRONT, SIDES AND REAR, TOP AND BOTTOM

HINGED/REMOVABLE SIDE PANELS

- NOTE:
1. 19" EIA RACK MOUNT COMPLIANT.
  2. RAILS ACCEPT 3/8" CAGENUT.
  3. BLACK POWDER COAT.



Distributed by : i-Tech Company LLC  
 TOLL FREE: (888) 483-2418  
 • EMAIL: [info@iTechLCD.com](mailto:info@iTechLCD.com)  
 • WEB: [www.iTechLCD.com](http://www.iTechLCD.com)

UNLESS OTHERWISE SPECIFIED:  
 DIMENSIONS ARE IN INCHES  
 TOLERANCES:  
 FRACTIONAL ± 1/8  
 ANGULAR: BEND ± 1 DEGREE  
 TWO PLACE DECIMAL ± .03  
 THREE PLACE DECIMAL ± .01  
 Surface Area  
 MATERIAL  
 FINISH  
 DO NOT SCALE DRAWING

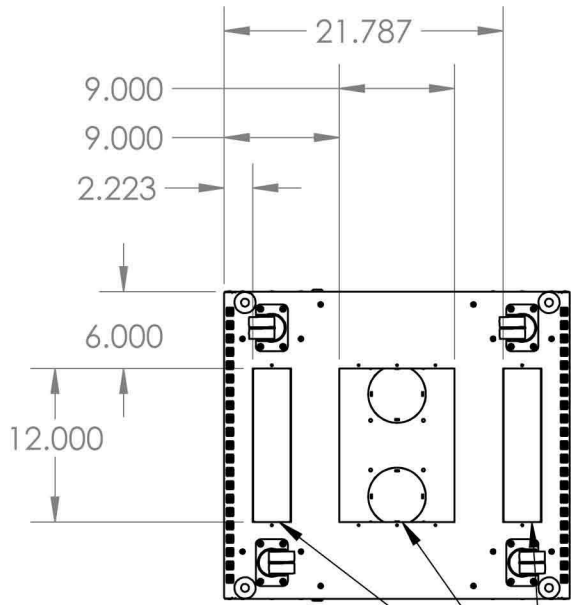
	NAME	DATE
DRAWN		
CHECKED		
ENG APPR.		
MFG APPR.		
Q.A.		
COMMENTS:		

**KENDALL HOWARD**

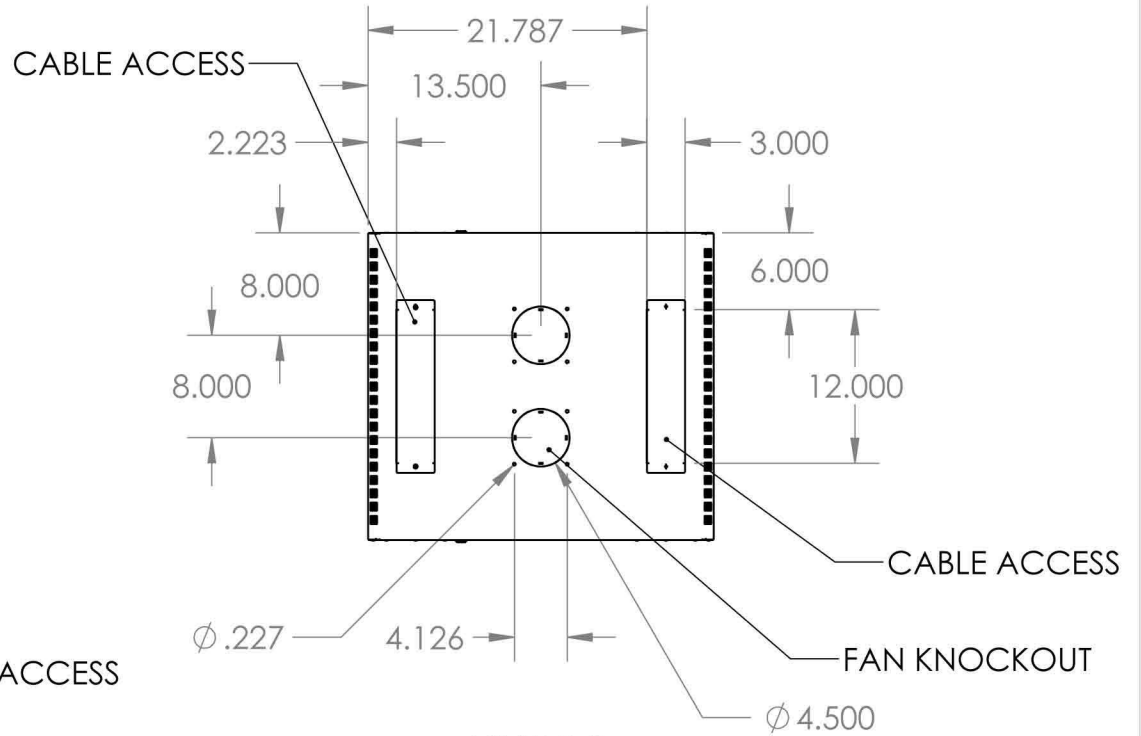
TITLE:  
**37U LINIER AV NO DOORS**

SIZE	DWG. NO.	REV
<b>A</b>	<b>3180-3-024-37 WP</b>	

SCALE: 1:20 WEIGHT: 96.62 SHEET 1 OF 2



VIEW A-A  
SCALE 1 : 15  
BOTTOM VIEW



VIEW B-B  
SCALE 1 : 15  
TOP VIEW



Distributed by : i-Tech Company LLC

TOLL FREE: (888) 483-2418

• EMAIL: [info@iTechLCD.com](mailto:info@iTechLCD.com)

• WEB: [www.iTechLCD.com](http://www.iTechLCD.com)

UNLESS OTHERWISE SPECIFIED:  
DIMENSIONS ARE IN INCHES  
TOLERANCES:  
FRACTIONAL  $\pm 1/8$   
ANGULAR: BEND  $\pm 1$  DEGREE  
TWO PLACE DECIMAL  $\pm .03$   
THREE PLACE DECIMAL  $\pm .01$

Surface Area

MATERIAL

FINISH

DO NOT SCALE DRAWING

	NAME	DATE
DRAWN		
CHECKED		
ENG APPR.		
MFG APPR.		
Q.A.		
COMMENTS:		

**KENDALL HOWARD**

TITLE:  
**37U LINIER AV NO DOORS**

SIZE	DWG. NO.	REV
<b>A</b>	<b>3180-3-024-37 WP</b>	

SCALE: 1:20 WEIGHT: 96.62 SHEET 2 OF 2