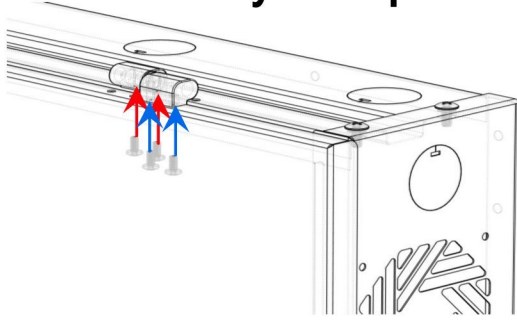


Assembly - Step 4:



- Secure female Hinges to the Cable Enclosure Bottom with the M5x10 Screws. Make sure the hole openings are face towards each other.
- Secure 1 Male Hinge to Cable Enclosure Door Bottom with the M5x10 Screws. Insert should be facing to the outsides of the door
- Insert the installed male hinge into the female hinge. Take the remaining male hinge and insert into the opposing female hinge and secure to the door with the M5x10 Screws



Instructions / Directions

Training Table Cable Management Enclosure # 5500-3-100-36



Distributed by : i-Tech Company LLC

TOLL FREE: (888) 483-2418

• EMAIL: info@iTechLCD.com

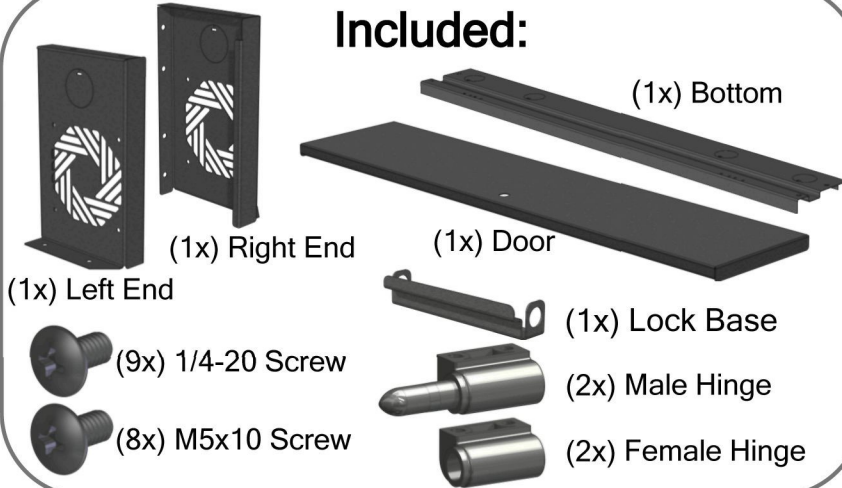
• WEB: www.iTechLCD.com

Tools Needed:

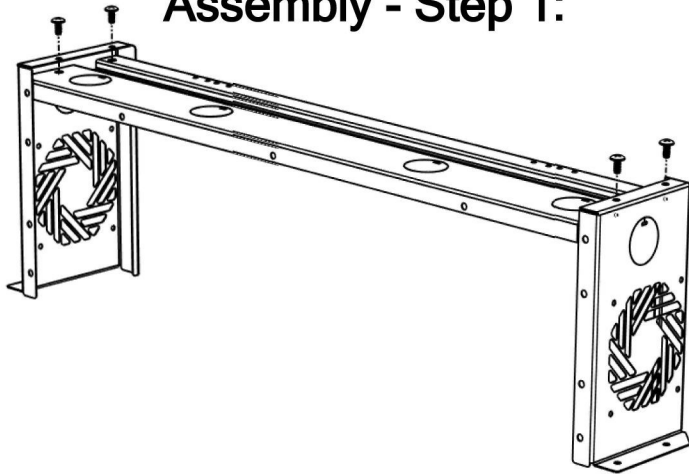


Screw Driver

Included:



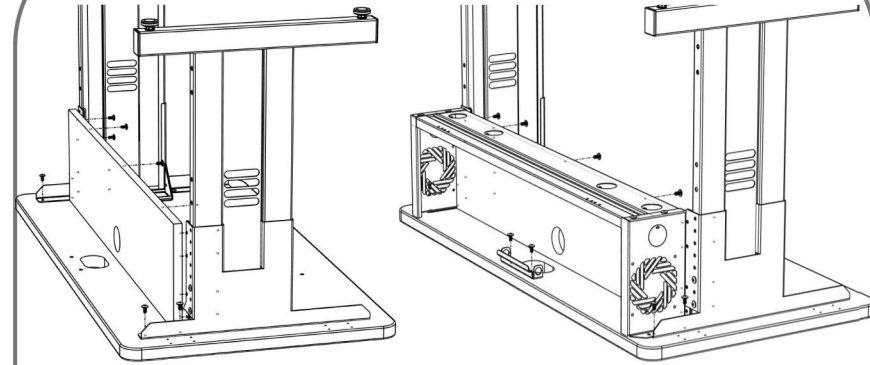
Assembly - Step 1:



Secure right and left ends to the bottom of the Cable Management Enclosure with 1/4"-20" screws

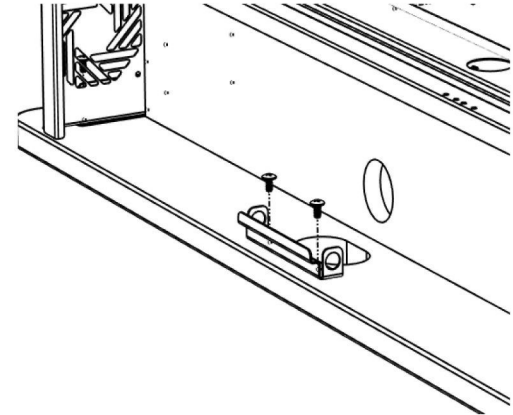
2

Assembly - Step 2:



- Detach the modesty panel from the leg kit
- Remove screws from the rear leg kit that fasten it to the table top
- Slide the Cable Enclosure around the modesty panel
- Re insert screws securing the modesty panel and cable enclosure to the leg kit.

Assembly - Step 3:



Secure the lock base just behind the grommet opening with the 1/4"-20 screws

3