

Embedded PC

Small Form Factor Computer
with Intel® Atom™ N270



Model: LPC2700

Features

Integrated SIM card reader

Integrated in a mini-PCIe slot, the SIM card readers allow for users to enable 3G use for their IPC.

Intel® Atom™ N270

Single core Intel Atom N270 features 1.6GHz clock speed and a 512KB cache. It utilizes 2.5W of power.

Fanless

This IPC's lifespan has been extended by removing the most easily damaged component, the fan.

Screw-locked power plug

This power plug is made to screw directly into the appliance chassis, allowing secure power connection in even the harshest of settings.

Wide voltage input range

This product supports a wider range of voltage inputs, allows for easier onsite implementation by lessening the need for an external power supply.

Mini-PCI expansion slot

This product features a MiniPCI slot to allow customers to customize this appliance to different applications.

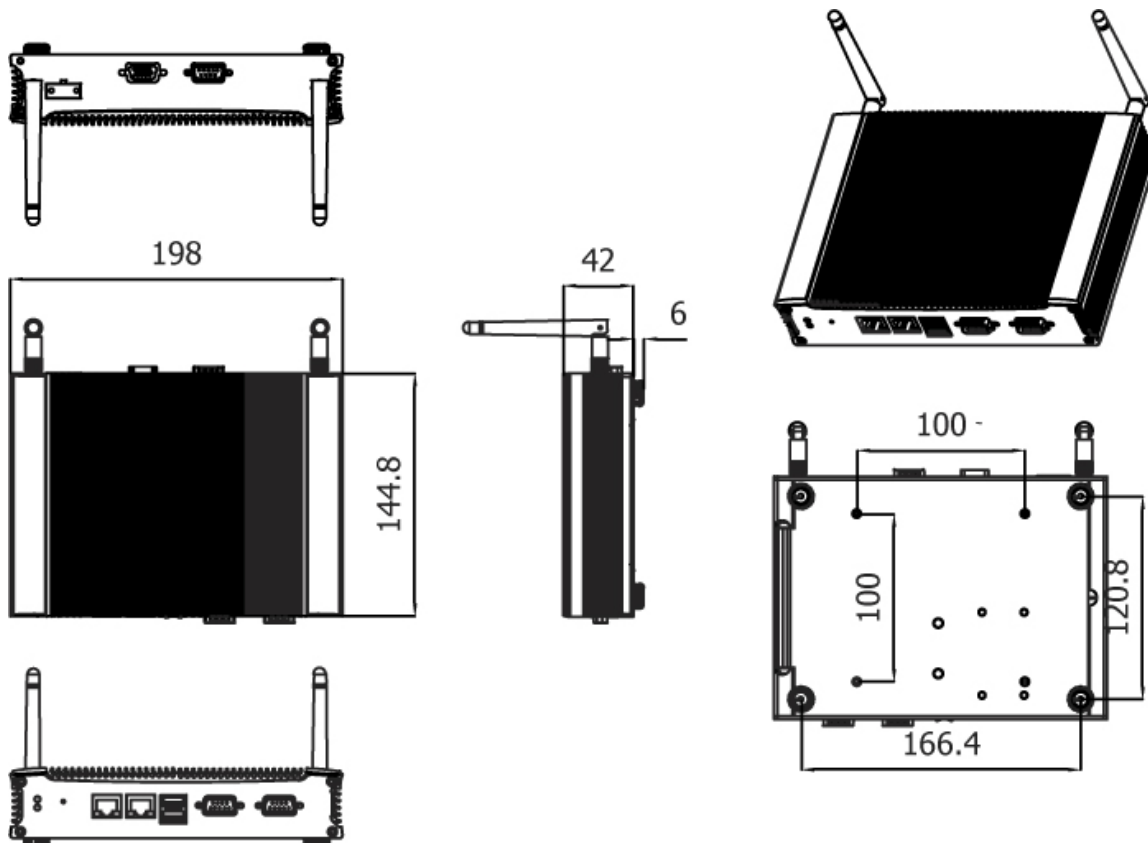
Extreme operating temperature

This product is ruggedized to support a wider than usual range of temperatures. Outfitted with industrial components (HDD/SSD, CF, Memory) this appliance can thrive in harsh conditions.

Dust proof design

Solid chassis design with a fanless interior allows for this product to be completely dustproof when installed correctly, insuring longevity of the product.

Drawings



Specifications

Dimensions (WxHxD)		198x42x145mm (7.80" x 1.65" x 5.71")
Processor		Intel Atom N270 (1.6GHz)
Chipset		Intel 945GSE + ICH7M
System Memory	Technology	DDR2 SO-DIMM x1
	Max. Capacity	Up to 2GB
Storage	IDE	CF socket Type I/II x1
	SATA	2.5" SSD/HDD drive bay x1
Ethernet Controller		Realtek RTL8111 x2
Graphic Controller		Intel Graphics Media Accelerator 950
Audio Controller		N/A
IO	LAN	GbE RJ45 x2
	Display	DB15 x1 for VGA
	Video Grabber	N/A
	Audio	N/A
	Serial I/O	DB9 x3 for RS232 x1 and RS232/422/485 x2
	GPS	N/A
	Digital I/O	Internal Pin-header for GPIO x4
	USB 2.0	Type A x2 Internal x2
	Power Input	2-pin terminal block
	Expansion	Mini-PCIe x1 with SIM card reader
	Others	External: SMA Antenna Hole x2, reset Internal: PS/2 Keyboard & Mouse, +5Vdc output
Power Input		+12~36Vdc ATX Mode
AC Adapter		Ordering Option
Hardware Monitor		Fintek F81865 integrated watchdog timer 1~255 level
OS Support		Linux, XPE/WES2009, XP Pro FES, WS7E, WS7P, Win 7 Pro FES
Certifications		CE, FCC Class A
Compliance		N/A
Operating Temperature Range	With Industrial Components	-10~55°C / 14~131°F
	With Commercial Components	-5~45°C / 23~113°F