

Embedded PC



Compact, Fanless, dust-proof and high-performance industrial PC Intel i3-3217UE VGA x 1 (up to 2048 x 1536), HDMI x 1, operating temp -20C to 55C. 4GB Memory and 64GB SSD MS-Win 7 pro 32 bit

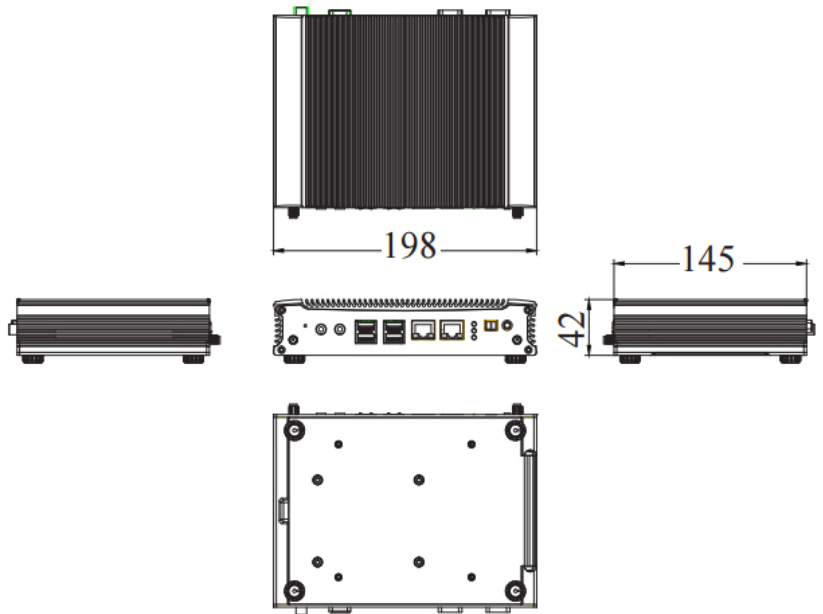
Model: LPC7700WT-i3-HDMI

The LPC7700WT-i3-HDMI is a compact, fanless, dust-proof and high-performance industrial PC running on Intel's 3rd generation Core processors. It comes in a configurations, powered by the Intel Core i3. The LPC7700WT-i3-HDMI combines processing power, industrial-grade I/O functions, imaging-capturing and network communication capabilities, striking the perfect balance between performance and cost.

Features

- Intel® Core™ i3-3217UE
- Fanless & Dust-proof Design
- 2 GbE LAN Ports
- 2 Serial COM Ports
- 4 USB 2.0 Ports
- 2 Mini-PCIe
- Integrated SIM Card Reader
- Multiple Video-out Ports
- Wide Temperature Support

Dimensions



Standard Accessories

- SATA SSD/HDD Cable with Power
- 60W 12V/5A Power Adapter

Product I/O View



- | | | | | |
|-------------------|------------------|-----------------------|---------------|----------------|
| A Reset | D USB x 4 | G Remote Power | J HDMI | M DC_in |
| B Mic_in | E LAN x 2 | H On/Off | K DIO | |
| C Line_out | F LEDs | I COM x 2 | L VGA | |

Specifications

Processor System	
CPU	Intel® Core™ i7-3517UE/i3-3217UE or Celeron® 807UE
Frequency	1.7GHz (i7), 1.6GHz (i3) or 1GHz (Celeron)
Core Number	2C (i7/i3), 1C (Celeron)
BIOS	AMI 32bit SPI UEFI BIOS
Chipset	Intel HM65
Fanless	
	Yes
Memory	
Technology	DDR3/DDR3L 1333/1600 MHz (i7/i3) DDR3 1066/1333 MHz (Celeron)
Max. Capacity	8GB (i7/i3), 4GB (Celeron)
Socket	1x 204-pin SODIMM
Graphic	
Controller	Intel HD Graphics 4000 (i7/i3) Intel HD Graphics (Celeron)
VGA	1 x VGA, 2048 x 1536
DVI	-
HDMI	1x HDMI, 1920 x 1080
Audio	
Codec	Realtek ALC886-GR
Interface	2 x Phone Jack for MIC-in and Line-out
Ethernet	
Controller	Intel 82583V
Speed	10/100/1000 Mbps
Interface	2 x RJ45
Storage	
Type	SATA III
Installation	1 x CFast Socket
Type	SATA III
Installation	1 x 2.5" HDD/SSD Drive Bay
I/O	
Serial Port	2 x RS-232, DB9 male
Digital I/O	4 x DI, 4 x DO with +5V TTL
USB 2.0	4 x type A
USB 3.0	-
Power-On/Reset Button	1 x Power On/Off and 1 x Reset
Remote Power Switch	Yes
LED	Power/Storage Access/3G Status
Antenna Hole	2 x SMA Antenna Holes

Expansion Interface	
Mini-PCIe	1 x Full-sized Socket with SIM Card Reader and 1 x Half-sized Socket
PCI	-
PCI Express x1	-
PCI Express x4	-
Watchdog Timer	
Watchdog Timer 1~255 Level Time Interval System Reset Software Programmable	
Power	
Power Type	ATX
Power Supply Voltage	+12 VDC
Connector	DC Jack with Lock
Power Consumption (Idle)	19W
Power Consumption (Full Load)	26W
Power Adaptor	AC to DC AC 90 to 240 VAC Input DC 12V/5V 60W
Environment	
Operating Temperature	-20 ~ 50°C (with Industrial-grade Components)
Storage Temperature	-20 ~ 70°C
Relative Humidity	5% ~ 95% (Non-condensing)
Vibration	IEC 60068-2-64, 0.5Grms, random 5 ~500 Hz, 40 mins/axis
Mechanical	
Dimension (W x H x D)	198 x 42 x 145 mm (7.79" x 1.65" x 5.7")
Construction	Aluminum
Weight	1 Kg
Mounting	VESA, Wallmount
Driver Support	
Microsoft Window	WES 7 E, Win 7 Pro FES, WE 8 S, WE 8.1 Industry Pro
Linux	Linux 2.6.32 or Later
Certification	
EMC	CE/FCC, Class A