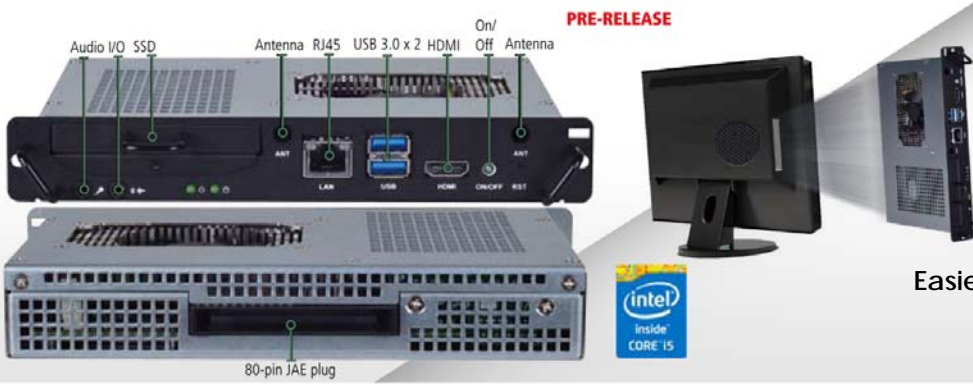


# OPS Pluggable Module

OPS Pluggable Module  
with Intel® Core® i5-4400E CPU,  
Easier integrate to digital signage computing system

Model: LPC7800-i5



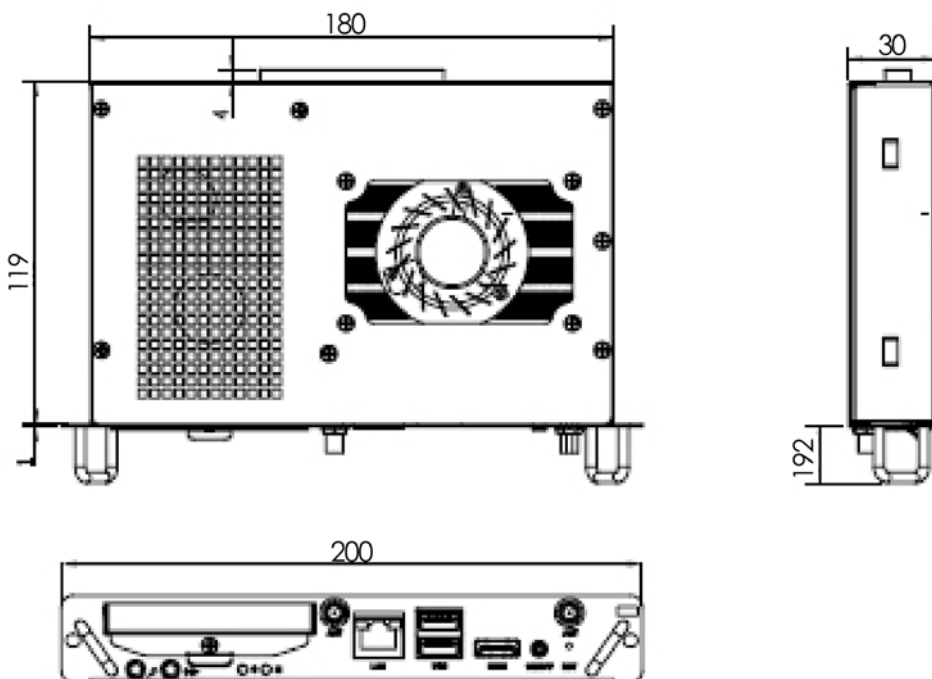
LPC7800-I5 is developed based on Intel Digital Signage Open Pluggable Structure (OPS). LPC7800-I5 embedded computer is designed for digital signage related applications, it adopts Intel Haswell technology platform to provide functional system level computing solution for digital signage or display panel, and emphasizes stability and longevity to deliver an extremely reliable solution for application.

## Features

- Intel® Core™ i5-4400E 35 W onboard Processor with DDR3 memory Technology
- Support 4K resolution (3,840 x 2,160)
- Easier integrate to digital signage computing system
- Integrate standard interfacing based on the 80 pin JAE plug
- 1 x 10/100/1000 Mbps Ethernet ports
- 2 x external USB 3.0 port
- 1 x HDMI port
- 1 x mini-PCIe for standard full size module
- 1 x removable SATA 2.5" storage bay support

## Drawings

Dimensions 119 x 200 x 30 mm (4.68" Overview x 7.87" x 1.18")



## Preliminary Specifications

<b>Processor Options</b>		Intel® Core® i5-4400E 35 W Processor (3M cache, up to 3.30 GHz)
<b>Chipset</b>		Intel® QM87
<b>BIOS</b>		AMI 32bit SPI UEFI BIOS
<b>System</b>	Sockets	2 x SODIMM sockets to support up to 16 GB DDR3L-1333
	Technology	DDR3L 1333 MHz
	Max. Capacity	Up to 16 GB
<b>USB</b>		2 x External USB 3.0 in front, 3 x USB 2.0 and 1 x USB 3.0 through JAE TX-25 80-pin connector
<b>Super I/O</b>		1x LPC Super I/O support Serial port, GPIO, Watchdog timer and Hardware monitor
<b>Expansion Bus</b>		1x mini-PCI express socket for mini-card module
<b>OS Support</b>		Microsoft Window 7, Windows 8 Embedded
<b>Storage</b>	HDD/SSD Support	1 x 2.5" SSD drive bay
	Expansion	N/A
<b>Networking</b>	LAN	1 x 10/100/1000 Mbps, Autosensing, RJ-45
	Controller	Intel i210
<b>Display</b>	Graphics Controller	Intel® integrated Intel HD 4600 supports TMDS and Display Port through JAE TX25 80-pin connector and 1x HDMI output in front panel
	Display Interface	HDMI x 1
<b>Audio</b>	Audio Controller	Realtek ALC886
	Audio Interface	Phone Jack x2 for Mic-in and Line-Out
<b>LEDs</b>		1x green for power-on status, 1x Yellow for Storage status
<b>Physical Characteristic</b>	Housing	Heavy Steel
	Weight	1.1 kg
	Dimensions	119 x 200 x 30 mm
	Mounting Options	N/A
<b>Environment</b>	Operation Temperature	-5~45°C
	Storage Temperature	-20~80°C
	Ambient Relative Humidity (non-condensing)	5 to 95% (non-condensing)
<b>Power</b>	Input Voltage	+12 V~+19 V
	Power	TBD
	Connector	JAE TX-25 connector
	AC Adapter	Ordering Option
<b>Standard and Regulation</b>	EMC	CE/FCC
	Green product	RoHS
<b>Reliability</b>	Alter tool	Built-in buzzer and RTC (real-time clock) with battery lithium backup
	Automatic Reboot Trigger	Watchdog Timer 1~255 level time interval system reset, software programmable
	MTBF	TBD