

Fanless PANEL PC

Panel Mount PC, 12.1" (LED LCD), SVGA 800 x 600, 8wires Resistance Touchscreen, Intel Atom D525 1.8Ghz, 2GB Memory/ 250 GB HDD ,4 x COM, 2 x USB, VESA75/100, 4.5Kg,69.4H x 320.3W x 275D mm

Model: LPC121AT5B

Features:

Intel Atom / VIA solution, Fanless, Touch screen, Water Proof, Open-frame design, LED Backlight Panel

Application:

Information Kiosk, POS, Mobile solution, Automation control

Specifications

LCD Panel	AUO	CMO
Resolution	SVGA 800 x 600	XGA 1024 x 768
Brightness (cd/m2)	450	
Contrast Ratio	700 : 1	
Backlight	LED/CCFL	
Number of Colors	262144	
Touch Screen	AMT 8 wires / Resistive touch screen	
Mounting Spec.	VESA 75 / Panel Mount	
Panel frame water proof	IP65	
Webcam (Option)	5.0 Mega pixel - auto focus	
Accessory (Option)	Wall Mount Kit / Stand	

Fanless Panel PC

Panel PC Dimension	See below drawings for dimensions
Case Dimensions	See below drawings for dimensions
Front Panel Dimension	12 H x 320.3 W x 275 D mm
Material	Plastics front frame + Aluminum
Weight	7.2 Kg (Incl. M/B)
Storage Space	2.5" HDD
Operation Humidity	5 ~ 90% @ 39 C, non-condensing

M/B information:

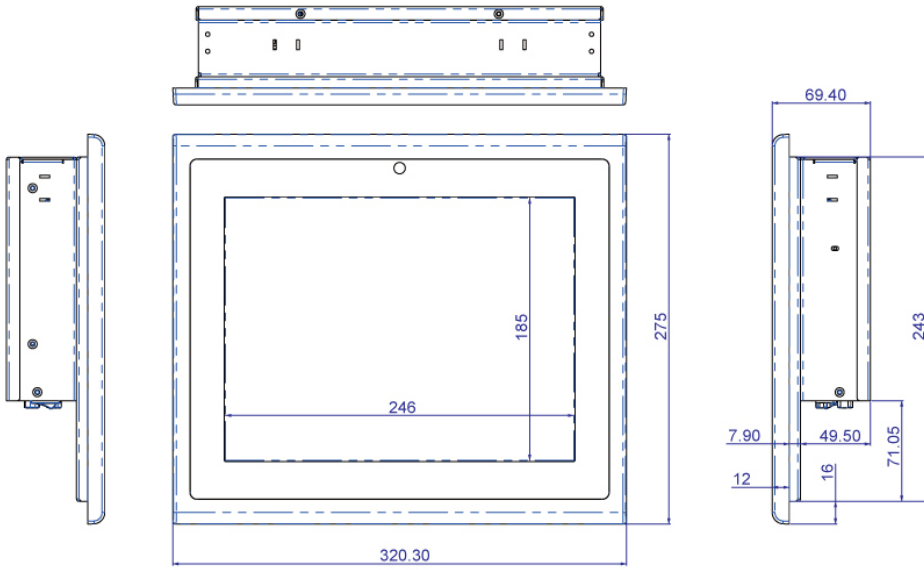
(Please refer to M/B specification)

CPU Type	M/B Model	VGA	COM	LAN	USB	Audio	KB/MS	Others	Operation Temp.	
									CF Card	HDD
Intel Atom D525	LPC121AT5	1	5	2	2	YES			55°C	50°C
	LPC121AT5B	1	5	2	2	YES		Rechargeable Battery		45°C
Intel Atom N270	LPC121AT2		6	1	2	YES			50°C	45°C
	LPC121AT2B	1	6	2	4	YES	YES	DVI	55°C	50°C
	LPC121AT2C	1	2	2	4	YES	YES	DVI / TV-Out / Video-In	55°C	50°C
VIA Eden / ULV or C7	LPC121VA	1	4	1	2	YES			50°C	45°C

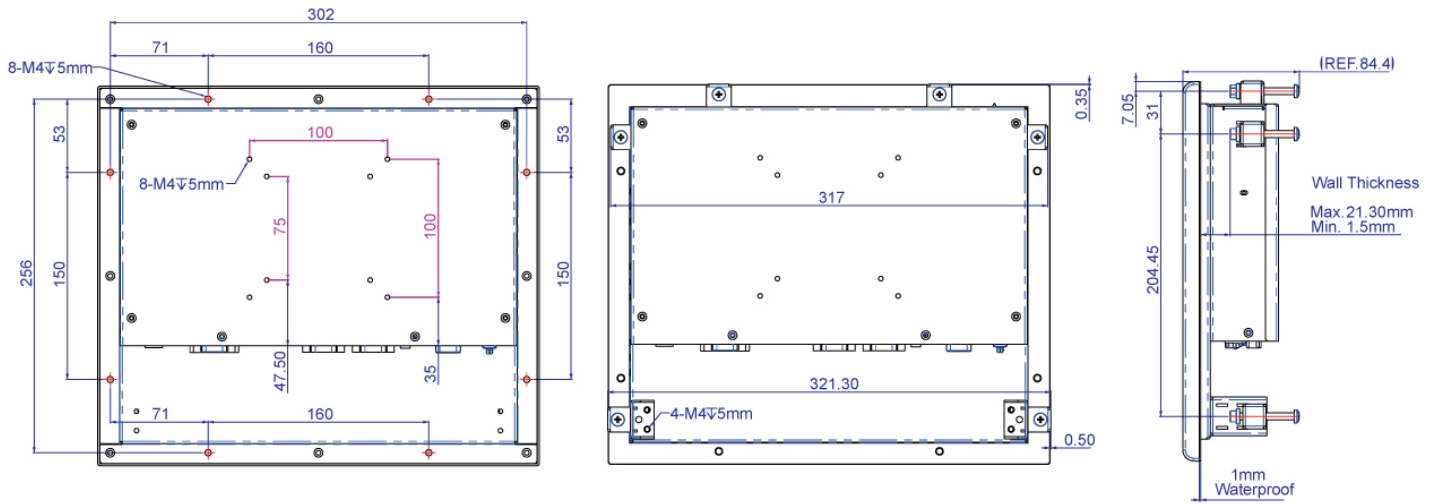
More Functions				
Aluminum / Stainless Case		Capacitive touch	Webcam	Parallel Port
DC +6V to +36V	High Brightness Panel	1 ~ 4 Video-IN	Bluetooth	Optional LAN
Rechargeable Battery	DIO	Speaker	Wi-Fi	GPS
3G	4 x COM	H.264 decode	USB	

The above available functions outline the possibility with system, for more information please contact us.

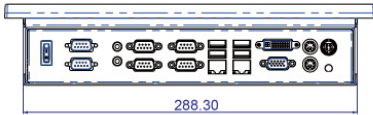
Dimension:



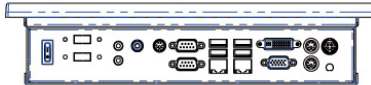
VESA 75/100 Mounting



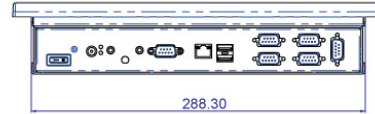
LPC121AT2B



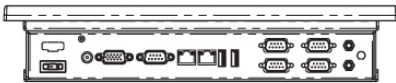
LPC121AT2C



LPC121AT2



LPC121AT5



LPC121AT5B

