

Fanless PANEL PC

Panel Mount PC, 15" (LED LCD), XGA 1024 x 768, 8wires Resistance Touchscreen, Intel Atom N270 1.6Ghz, 2GB Memory/ 250 GB HDD , 6 x COM, 2 x USB, VESA75/100, 4.5Kg 66H x 384W x 312D mm

Model: LPC151AT2

Features:

Intel Atom / VIA solution, Fanless, Touch screen, Water Proof, Open-frame design, LED Backlight Panel

Application:

Information Kiosk, POS, Mobile solution, Automation control

Specifications

LCD Panel	AUO
Resolution	XGA 1024 x 768
Brightness (cd/m2)	400
Contrast Ratio	700 : 1
Backlight	LED / CCFL
Number of Colors	262144
Touch Screen	AMT 8 wires / Resistive touch screen
Mounting Spec.	VESA 75/100 / Panel Mount
Panel frame water proof	IP65
Webcam (Option)	5.0 Mega pixel - auto focus
Accessory (Option)	Wall Mount Kit / Stand

Fanless Panel PC

Panel PC Dimension	See below drawings for dimensions
Case Dimensions	See below drawings for dimensions
Front Panel Dimension	10 H x 384 W x 312 D mm
Material	Plastics front frame + Aluminum
Weight	5 Kg (Incl. M/B)
Storage Space	2.5" / 3.5" HDD
Operation Humidity	5 ~ 90% @ 39 C, non-condensing

M/B information:

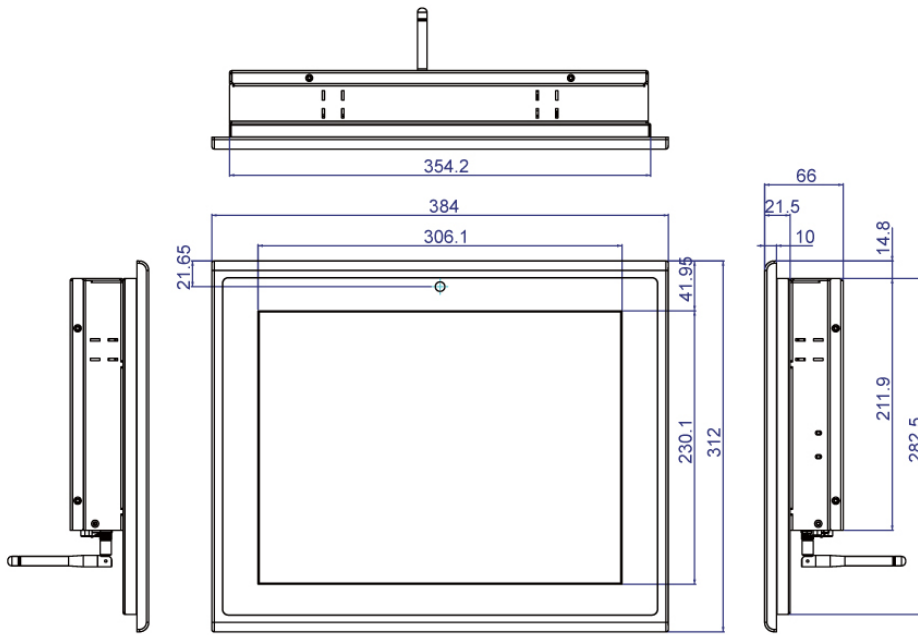
(Please refer to M/B specification)

CPU Type	M/B Model	VGA	COM	LAN	USB	Audio	KB/MS	Others	Operation Temp.	
									CF Card	HDD
Intel Atom D525	LPC151AT5	1	6	2	4	YES			55°C	50°C
	LPC151AT5B	1	6	2	2	YES		Rechargeable Battery		50°C
Intel Atom N270	LPC151AT2		6	1	2	YES			50°C	45°C
	LPC151AT2B	1	6	2	4	YES	YES	DVI	55°C	45°C
	LPC151AT2C	1	2	2	4	YES	YES	DVI / TV-Out / Video-In	55°C	50°C
Intel Core 2 Duo Socket M	LPC151CD	1	6	2	4	YES	YES	DVI	50°C	50°C
	LPC151CDB	1	2	2	4	YES	YES	DVI / TV-Out / Video-In	50°C	50°C
VIA Eden / ULV or C7	LPC151VA	1	4	1	2	YES			50°C	45°C

More Functions				
Aluminum / Stainless Case		Capacitive touch	Webcam	Parallel Port
DC +6V to +36V	High Brightness Panel	1 ~ 4 Video-IN	Bluetooth	Optional LAN
Rechargeable Battery	DIO	Speaker	Wi-Fi	GPS
3G	4 x COM	H.264 decode	USB	

The above available functions outline the possibility with system, for more information please contact us.

Dimension:



VESA 75/100 Mounting

