

Fanless PANEL PC

Panel Mount PC, 8.4" (LED LCD), SVGA 800 x 600, 4wires Resistance Touchscreen, Intel Atom N270 1.6Ghz, 2GB Memory/ 250 GB HDD ,4 x COM, 4 x USB, VESA75/100, 2.5Kg,65.8H x 254W x 190 D mm

Model: LPC84AT2B

Features:

Intel Atom / VIA solution, Fanless, Touch screen, Water Proof, Open-frame design, LED Backlight Panel

Application:

Information Kiosk, POS, Mobile solution, Automation control

Specifications

LCD Panel	AUO
Resolution	SVGA 800 x 600
Brightness (cd/m2)	450
Contrast Ratio	600 : 1
Backlight	LED
Number of Colors	262144
Touch Screen	TTI 4 wires / Resistive touch screen
Mounting Spec.	VESA 75 / Panel Mount
Panel frame water proof	IP65
Webcam (Option)	5.0 Mega pixel - auto focus
Accessory (Option)	Wall Mount Kit / Stand

Fanless Panel PC

Panel PC Dimension	See below drawings for dimensions
Case Dimensions	See below drawings for dimensions
Front Panel Dimension	10 H x 254 W x 190 D mm
Material	Plastics front frame + Aluminum
Weight	1.5 Kg
Storage Space	2.5" HDD
Operation Humidity	5 ~ 90% @ 39 C, non-condensing

M/B information:

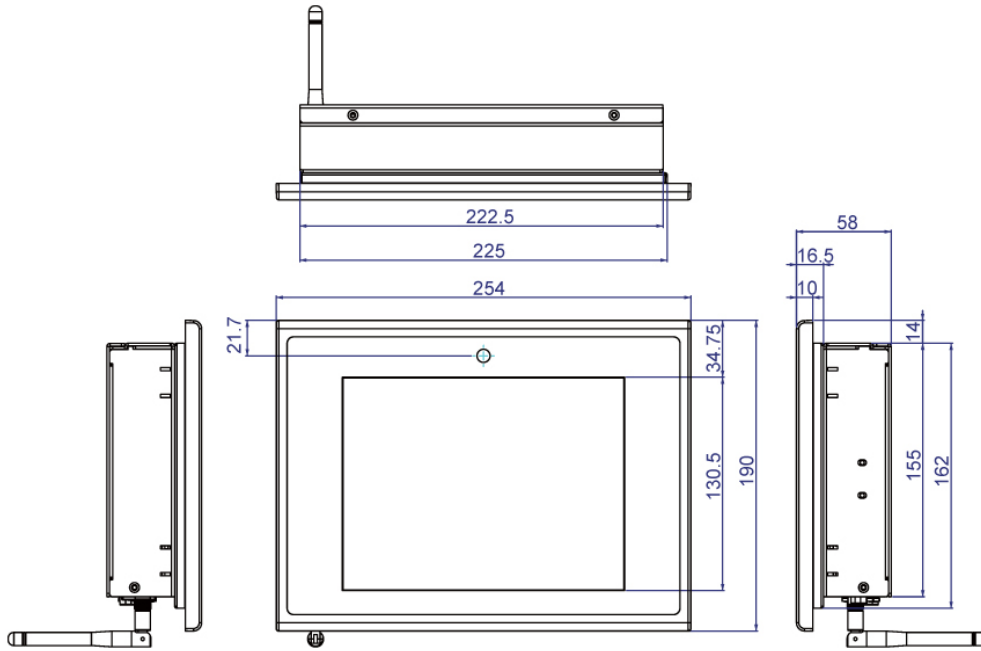
(Please refer to M/B specification)

CPU Type	M/B Model	VGA	COM	LAN	USB	Audio	KB/MS	Others	Operation	
									CF Card	HDD
Intel Atom D525	LPC84AT5	1	2	2	2	YES			55°C	45°C
Intel Atom N270	LPC84AT2		2	1	2	YES			50°C	45°C
	LPC84AT2B	1	5	2	4	YES	YES	DVI	55°C	50°C
	LPC84AT2C	1	3	2	4	YES	YES	DVI / TV-Out / Video-In	55°C	50°C
VIA Eden / ULV or C7	LPC84VA	1	2	1	2	YES			45°C	45°C

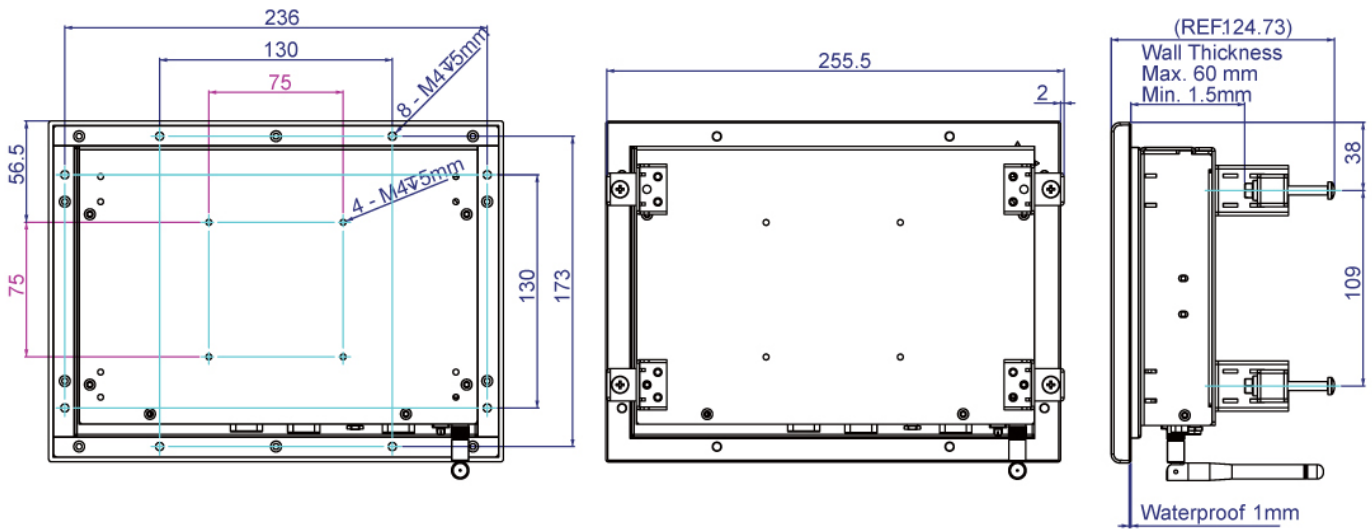
More Functions					
Aluminum / Stainless Case		Webcam	Parallel Port	Speaker	USB
DC +6V to +36V	High Brightness Panel	1 ~ 4 Video-IN	Bluetooth	Optional LAN	H.264 decode
DIO	3G	Wi-Fi	GPS		

The above available functions outline the possibility with system, for more information please contact us.

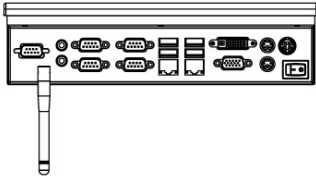
Dimension:



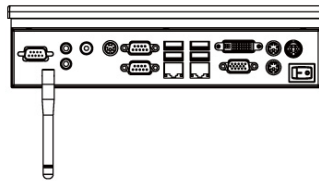
VESA 75 Mounting



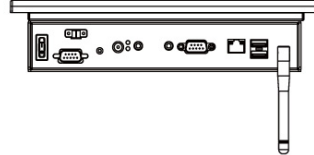
LPC84AT2B



LPC84AT2C



LPC84AT2



LPC84AT5

