

RUGGED OPEN FRAME MILITARY LCD

Model: **NMOP1040-TR**

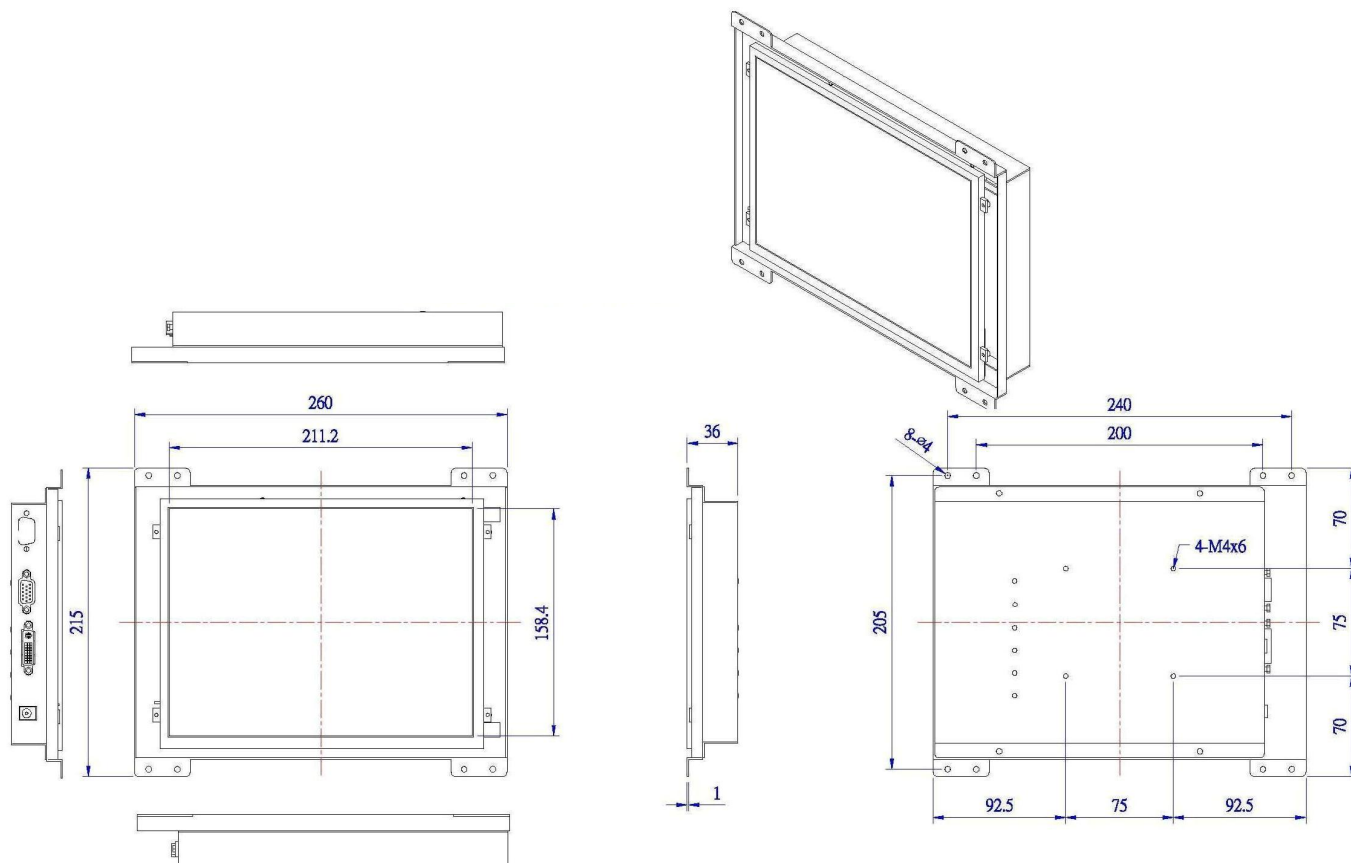
Rugged Open Frame 10.4" LCD Monitor

800 x 600 resolutions, 350 cd/m2 brightness, standard 15-pin female D-Sub interface, speakers, 100-240V AC adapter, with 5 Wire Resistive Touch Screen and USB Controller
Military-grade anti-shock, anti-vibration standards

FEATURES:

- 10.4" TFT LCD Display
- 640 x 480 resolution
- 350 cd/m2 brightness
- 5 Wire Resistive Touch Screen and USB Controller
- Military-grade anti-shock, anti-vibration standards

MECHANICAL:



i-Tech Company LLC

TOLL FREE: (888) 483-2418 • EMAIL: info@iTechLCD.com • WEB: www.iTechLCD.com

SPECIFICATIONS:

LCD Display size

10.4" TFT LCD color display

LCD Resolution

640 x 480 resolution
Optional : 800 x 600 resolution

Brightness of LCD (Luminance)

350 cd/m2 brightness

Housing

Open-frame designed in rugged steel housing

Construction

Made by rugged steel housing with anti-rust treatment

Touch-Screen : optional

Optional long life 5-Wire resistive touch screen, 4096 x4096 high resolutions.

Interface (VGA, DVI, BNC, Touch)

a) Standard 15-pin female D-sub RGB connector,
b) DVI interface (optional)
Touch interface : serial port or USB port (optional)

Anti-vibration and anti-shock design

a) Meet industrial-grade anti-shock and anti-vibration standards.
b) Military-grade anti-shock, anti-vibration standards

Operation Temperature & Storage Temperature :

a) Operation : 0 ~ 50 degrees C
b) Storage : -20 ~ 60 degrees C

OSD control buttons : (Option)

On-Screen-Display buttons and Power switch button at the rear side. This OSD buttons can control screen position Up, Down, Left, Right, Brightness, Contrast ratio, menu, power switch.

Power supply :

Come with 100 - 240V AC universal power supply DC power in for 12V, 24V, 28V are also available for your request with extra cost.

Dimension :

See the above drawing
Dimension is amendable to match your installation. Please contact us if it is required.