

RUGGED MILITARY RACKMOUNT LCD

Marin Grade 10.4" TFT LCD Display 5 wire Resistive Touch

Aluminum front bezel 800 x 600 resolution
350nits brightness Support panel mount and VESA wall mount
standard VGA and DVI port 100 ~ 240V AC-DC power adapter
Already DNV Approval Product.

Model: **NMR-1040-DNV**

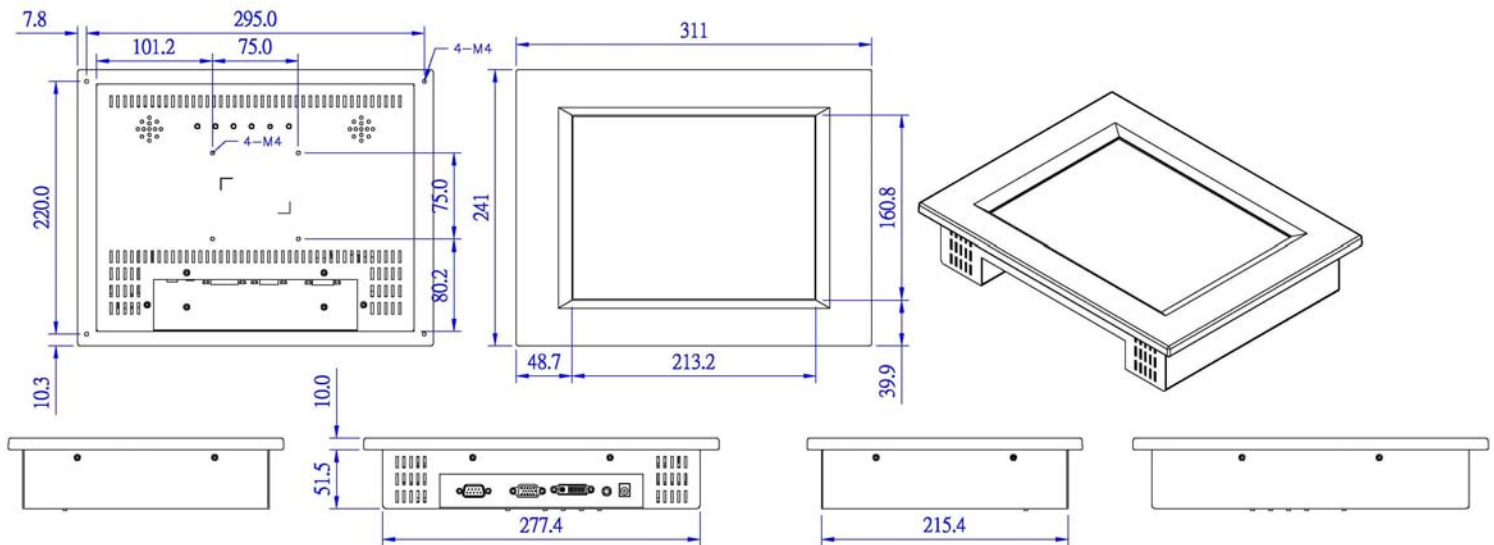


FEATURES:

- 10.4" LCD Monitor
- Rugged steel enclosure
- VGA, DVI interface, 2 x Speakers
- Resistive Touch-screen
- optional BNC interface



MECHANICAL:



SPECIFICATIONS:

LCD Display size

10.4" TFT LCD color digital display

Resolution / Brightness

800 x 600 resolution, 350 cd/m2 brightness

No. of color

262,144 high colors

Front bezel :

Solid thick aluminum bezel meeting NEMA-4, IP-65, 66 water-resistant ratings on front face.

Wall-mount :

Meet international VESA-75 wall mounting standards.

Touch-Screen : optional

Analog 5-Wire Resistive Touch screen.
4096 x 4096 resolutions long life touch.

Interface (VGA, DVI, BNC, Touch)

- a) Standard 15-pin female D-sub RGB connector,
- b) DVI interface
- c) BNC video port (optional)
- d) Touch interface : serial port or USB port (optional)

Anti-vibration and anti-shock design

- a) Meet industrial-grade anti-shock and anti-vibration standards.
- b) Optional : Military-grade anti-shock, anti-vibration standards

Optional Temperature :

Industrial grade : 0 ~ 50 degrees C
Option : to boot up at -20 degree C is available for your request.

Audio port

Built in 2 stereo speakers, 1 x audio port

OSD Control buttons

On Screen Display buttons and On / Off power switch are located at the Rear side of the housing. These OSD buttons control screen position Up, Down, Left, Right, Brightness, Contrast ratio, menu.

Power Adapter : AC-DC power adapter

Input : 90 - 240V AC input
Output : 12V DC at 5A

