

RUGGED MILITARY

Rugged Military 10.4" TFT LCD Display No touch screen

800 x 600 resolution, 300nits Aluminium front bezel
Support military circular type of external connectors for VGA and Power
Support 9 ~ 36V DC power source
Support panel mount and VESA wall mount
Design to meet MIL-STD-461E and MIL-STD-810F

Optional for Heater/1000nits/Water-proof DVI connector

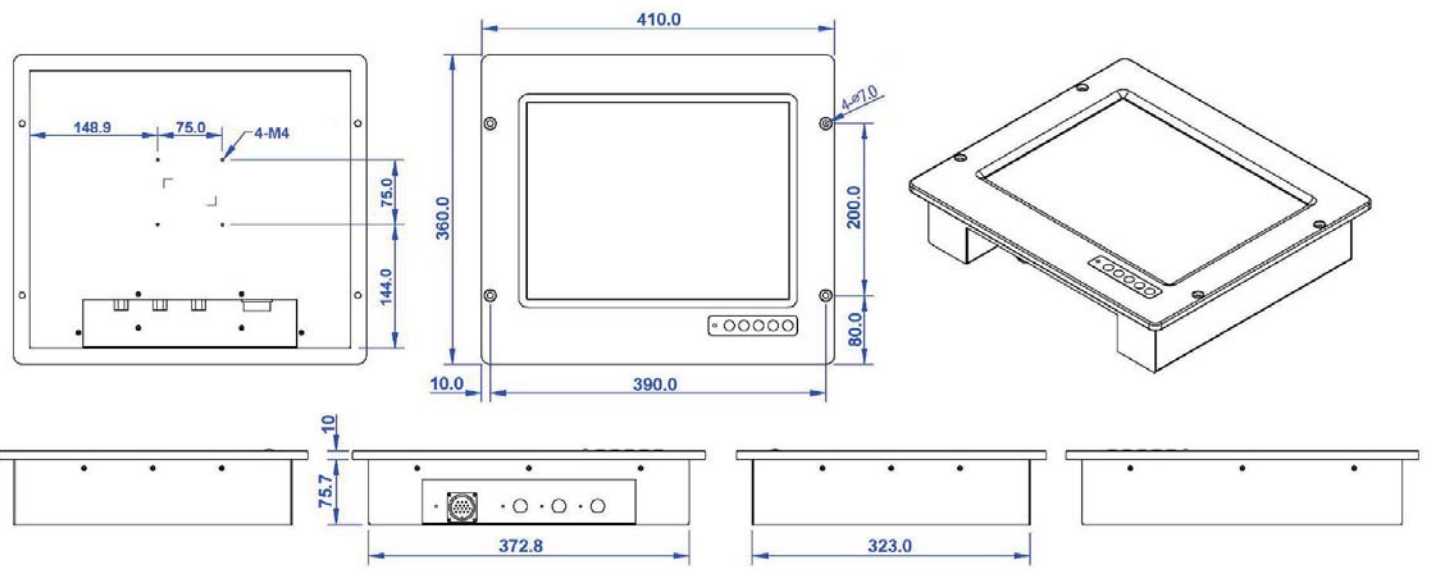


Model: NMil-1040

FEATURES:

- Rugged Military 10.4" TFT LCD
- Res: 800 x 600
- 300nits brightness
- Support military circular type of external connectors for VGA and Power
- Support 9 ~ 36V DC power source

MECHANICAL:



i-Tech Company LLC
TOLL FREE: (888) 483-2418 • EMAIL: info@iTechLCD.com • WEB: www.iTechLCD.com

SPECIFICATIONS:

LCD Display Grade	
LCD Size	10.4" Active Matrix TFT LCD
Resolution	1024 x 768 XGA resolution
Aspect Ratio	4 : 3 standard ratio
Luminance	350 cd/m2
Color Depth	16.7 M colors)
View Angle	80(L) / 80(R) / 75(U) / 75(D) degree
Contrast Ratio	700 : 1 (Dynamic Contrast Ratio)
Backlight life	50,000 Hours at 25°C ambient temperature
I/O Interface	
VGA	Support VGA in military circular connector
POWER	Support power in military circular connector
Touch USB	Support USB Touch in military circular connector Optional
Mechanical	
Front Bezel	Solid Aluminum front bezel
Construction	Rugged stainless steel construction
Standard Color	Stainless Steel polished original color
Mounting Method	
Wall-Mount	Support VESA-75 wall mounting
Mounting Kit	Mounting Kit is available at extra cost
OSD	
OSD Buttons	On-Off, Menu, Dimming Up/Down, Brightness, Auto
Dimming Range	Dimming frange from 100% to 0% in 100 steps

IP-65 Rate	
Front Side	IP-65 Water-proof on front side
Other Sides	IP-54 on other sides
Environmental	
Operate Temperature	Meet MIL-STD-810F, -20°C to+ 70°C
Storage Temperature	Meet MIL-STD-810F, -20°C ~ +80°C
Shock	Meet MIL-STD-810F standard
Vibration	Meet MIL-STD-810F standard
CE, FCC, RoHS	Meet CE, FCC, RoHS compliant
Power Supply	
Power Source	Support AC90 ~ 264V power source
Option : DC Power	Optional DC power source
Safety Approval	Power supply is UL, cUL, TUV approved
CE, FCC, RoHS	CE, FCC, RoHS Compliant
Power Consumption	
Power Consumption	Around 20 Watts
Stand-By	2 Watts stand-by