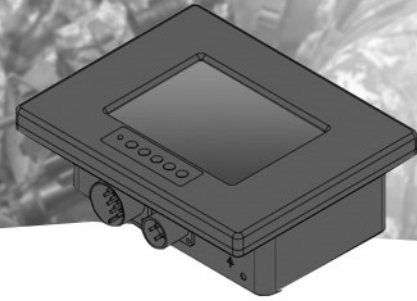


RUGGED MILITARY LCD

Military grade Rugged IP-67 5.7" Monitor, Military grade aluminum alloy CNC machined housing with 700nits, 640 x 480 (NTSC), 640 x 512 (PAL), VGA+DC+BNC Input



Model: Nmil-0570-IP67-BNC

SPECIFICATIONS:

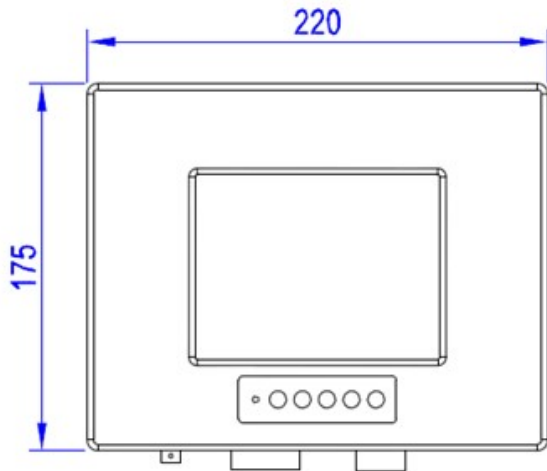
Mechanical	Housing Material	Military grade aluminum alloy
	IP Rating	IP-67 water proof
	Process	CNC Machining processor
	Surface Treatment	Coating in Black color
Mounting	Panel Mount	Yes, Panel Mount
	Front Mount	Optional
	VESA Mount	Optional
LCD Module	LCD Size	5.7"
	Resolution	640 x 480 (NTSC); 640 x 512 (PAL)
	Luminance	700 cd/m2 or optional 1000 cd/m2
	Contrast Ratio	800 : 1
	Operating Temperature	-40 to 85 degree C
	Viewing Angles	80 / 80 / 70 / 70
	Backlight	LED backlight
	Display Color	262,144
Protection Glass	Protection Glass	Yes, built-in
Optical Bonding	Optical Bonding	No, it is optional
EMI Shielded	EMI Shielded	No, it is optional
I/O Port	VGA	1 x VGA port with military lockable connector
	BNC	1 x BNC to support camera
	DC	1 x DC with military lockable connector
Power	Power Grade	Industrial grade
	Power Input	DC 9-36V
	Polarity Reverse	fully protected
	Lightning	fully protected
	Fuse	automatic protected and recovery
MIL-STD-1275D	compliant	
Dimension	W x H x D	220 (W) x 175 (H) x 87 (D) mm

**Specifications subject to change without notice, not responsible for typographical errors.*

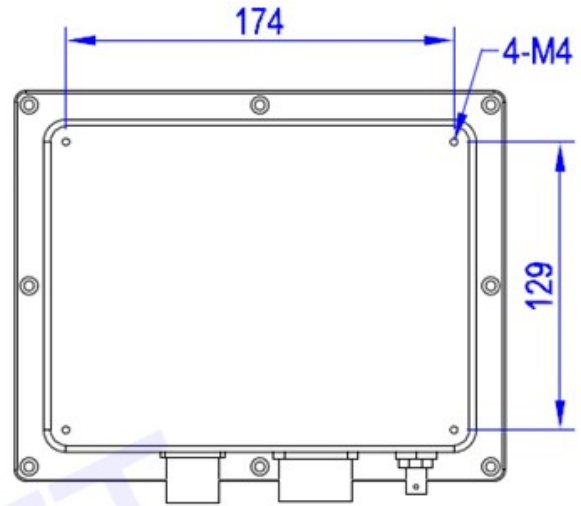


DRAWINGS FOR REFERENCE:

This is subject to change without Notice. Final Drawings Will be Provided for Approval after Order.



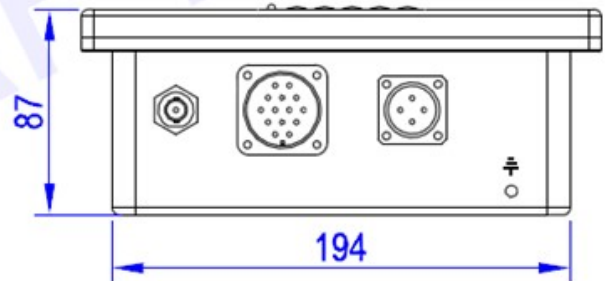
Front View



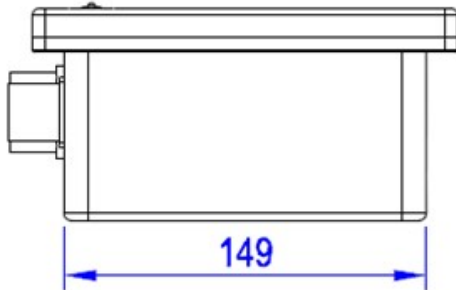
Rear View



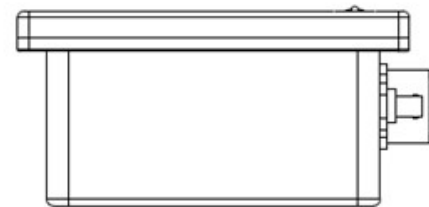
Top View



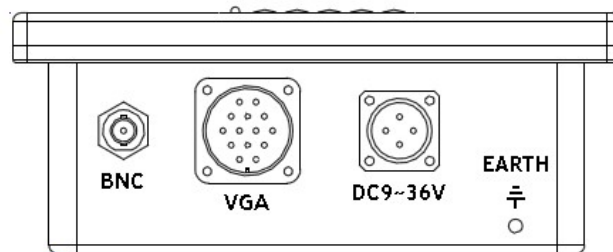
Bottom View



Side View 1



Side View 2



I/O Ports