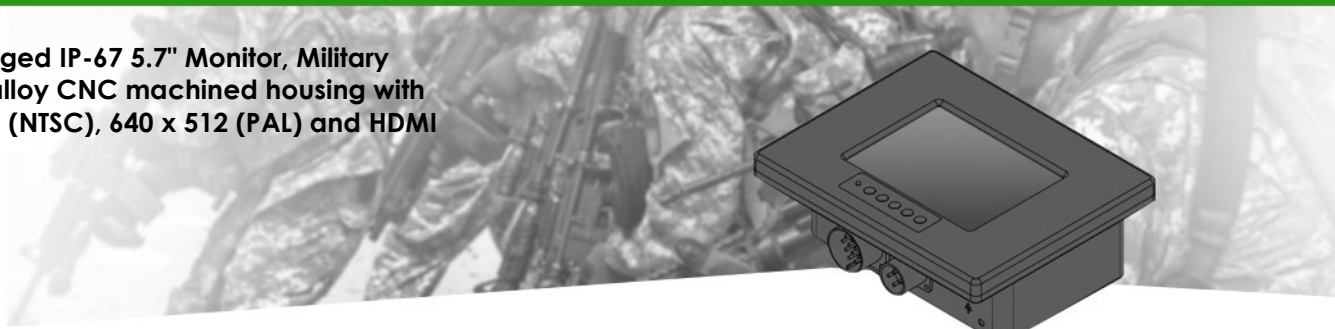


# RUGGED MILITARY LCD

Military grade Rugged IP-67 5.7" Monitor, Military grade aluminum alloy CNC machined housing with 1000nits, 640 x 480 (NTSC), 640 x 512 (PAL) and HDMI Input



**Model: Nmil-0570HB-H-IP67**

## SPECIFICATIONS:

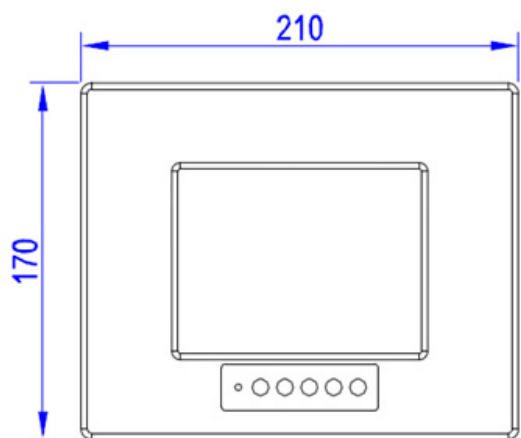
Mechanical	Housing Material	Military grade aluminum alloy CNC machined housing
	IP Rating	IP-67 water proof
	Process	CNC Machining processor
	Surface Treatment	Coating in Black color
	LCD Grade	military grade LCD module support -40 to +85°C operating temp
Mounting	Panel Mount	Yes, Panel Mount
	Front Mount	Optional
	VESA Mount	Optional
LCD Module	LCD Size	5.7"
	Resolution	640 x 480 (NTSC); 640 x 512 (PAL)
	Luminance	1000 cd/m2 (Option : 700 cd/m2)
	Contrast Ratio	800 : 1
	Operating Temperature	-40 to 85 degree C
	Viewing Angles	80 / 80 / 70 / 70
	Backlight	LED backlight
	Display Color	262,144
Protection Glass	Protection Glass	Yes, built-in
Optical Bonding	Optical Bonding	No, it is optional
EMI Shielded	EMI Shieled	No, it is optional
I/O Port	HDMI	1 x HDMI with Military IP-67 water proof connector
	DC	1 x DC with Military IP-67 water proof connector
Power	Built-in military grade DC9~36V power supply	
	Polarity Reverse	fully protected
	Lightning	fully protected
	Fuse	automatic protected and recovery
	MIL-STD-1275D	compliant
Heater Module	Heater Module	Cannot build in due to the space is too small
Dimension	W x H x D	210 (W) x 170 (H) x 77 (D) mm with Industrial power
	W x H x D	210 (W) x 170 (H) x 97 (D) mm with military power

*\*Specifications subject to change without notice, not responsible for typographical errors.*

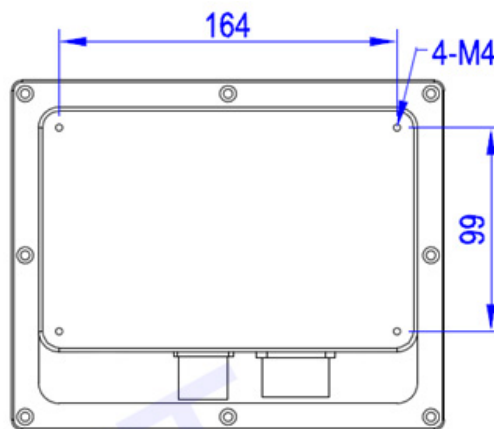


**DRAWINGS FOR REFERENCE:**

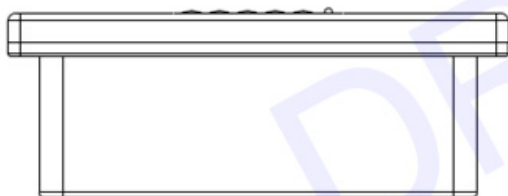
*This is subject to change without Notice. Final Drawings Will be Provided for Approval after Order.*



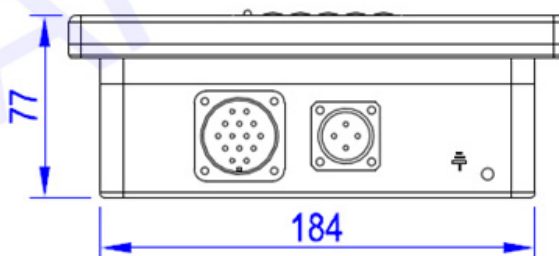
**Front View**



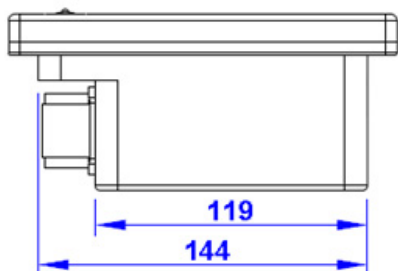
**Rear View**



**Top View**



**Bottom View**



**Side View 1**



**Side View 2**

