

9U RACKMOUNT LCD MONITOR

17" Rugged Rack-mountable LCD monitor, Aluminum Front bezel

IP-65 Ratings, Touch screen, VGA , DVI, 5xBNC, 1 x RS232
1280 x 1024 resolution, 350 cd/m2, 16.7 million true colors
VESA-75 wall-mount, front mounting.

Design to meet MIL-STD-810F on vibration and shock
Design to meet MIL-STD-810F on Humidity and Transit Drop
Design to meet MIL-STD-810F on Operation and Storage High and Low temperature
Optional : EMI Mesh

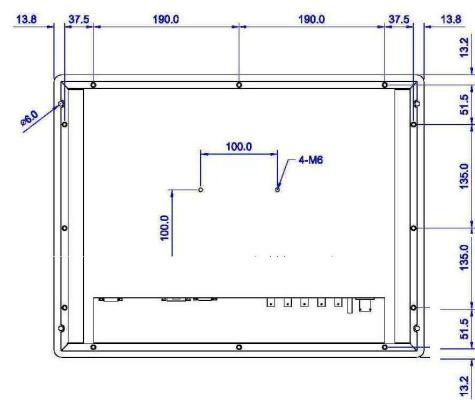
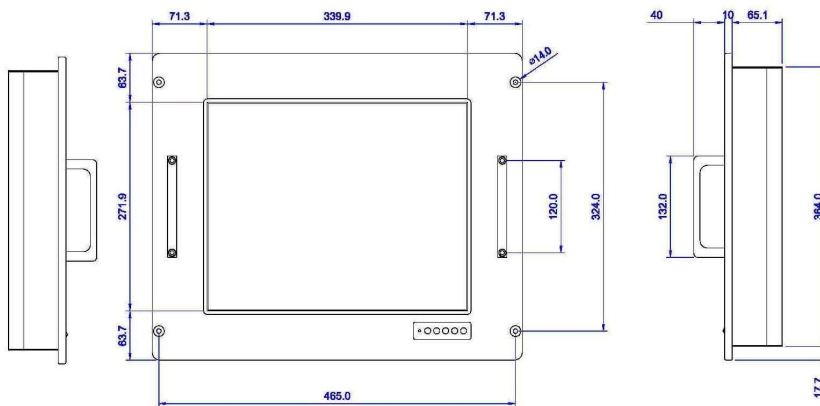
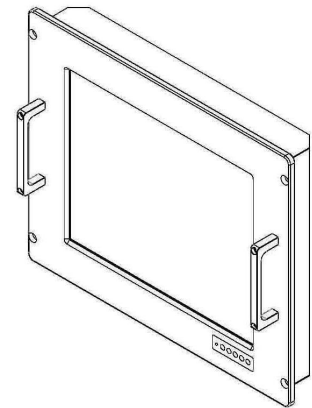
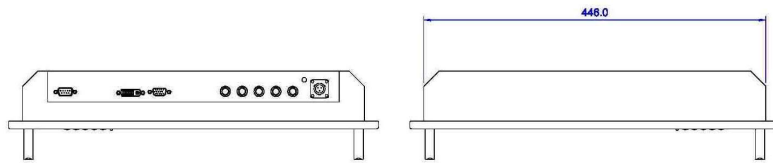


Model: Nmil-1700

FEATURES:

- 9U Rackmount 17" TFT LCD
- 350nits Brightness
- Aluminum Front Bezel
- IP-65 Water-proof on front side
- Rugged steel construction chassis and enclosure

MECHANICAL:



SPECIFICATIONS:

LCD Display size

17" TFT LCD, 1280 x 1024 resolution
16.7 million true colors

Luminance and Contrast

350 cd/m2 high brightness and 1000 : 1 contrast ratio.

MTBF Life of backlight tubes :

50,000 hours for backlight tubes

Front Bezel

10mm thick solid aluminum bezel supporting IP65 resistant at front face.

Handle

Two hand grips for easy handling

IP Rating

Standard : IP-65 water and dust-proof at front face.
Option : 6-side all around fully IP-65 water-resistant is available at your request.

Chassis and Housing:

Rugged steel construction chassis and enclosure.

Rack-mount and Wall-mount standard:

- a) 19" standard Rackmountable
- b) Front mount
- c) VESA-75/100 wall mount

Touch Screen:

Long life 5-wire analog resistive touch screen,
4096 x 4096 resolution, anti-glare treatment

OSD control buttons:

On-Screen-Display buttons at front
Power switch button are located at the back of the monitor.
This OSD buttons can control screen position Up, Down, Left, Right, Brightness, Contrast ratio, menu, and power on-off switch.

Interface

5 x BNC RGBHV Input
1 x VGA
1 x DVI
1 x RS-232 for Touch screen .

Dimmer control

Control brightness from 100% down to very low

Military Standard

Design to meet MIL-STD-810F on vibration and shock
Design to meet MIL-STD-810F on Humidity and Transit Drop
Design to meet MIL-STD-810F on Operation and Storage High and Low temperature
Optional : EMI Mesh

Operational Temperature:

Support 0 degrees C ~ +50 degrees C
Option : -30 deg C is available at your request

Storage Temperature:

Support -30 ~ +85 degrees C

Power supply:

Support AC 90 – 264V power
Option : 9~32V DC Military power