

RUGGED MILITARY CHASSIS LCD

Rugged 20.1" Display, Aluminum Front Bezel, AISI-304 Stainless Steel Chassis, 1600 x 1200, 300 cd/m2, 5 x BNC, 1 x D-Sub, 1 x DVU-D, 1 x Military Power Supply, DC16~60V Input

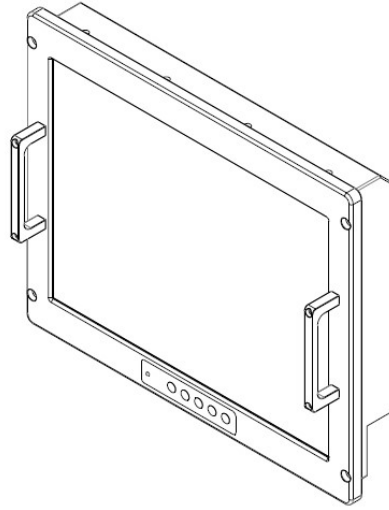


Model: Nmil-NP2010

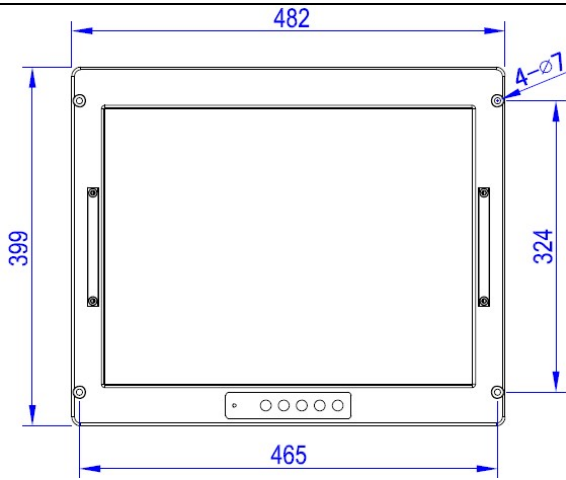
SPECIFICATIONS:

LCD Module	LCD Size	20.1" diagonal TFT LCD
	Backlight	LED
	Resolution	1600 x 1200
	Aspect Ratio	4 : 3
	Brightness	300 cd/m2
	Contrast Ratio	1000 : 1
	Display Color	16.7 M
	View Angle	89 / 89 / 89 / 89
EMI/EMC	EMI Mesh	Built in EMI micro mesh
OSD Buttons	User Control Buttons	Menu, Up, Down, Auto, On-Off switch Brightness, Backlight, Contrast, Sharpness, OSD Positioning, Reset, Auto, Language, Video Source Select, etc.
Mechanical	Front Bezel	Rugged aluminum front bezel
	Chassis	Rugged AISI-304 stainless steel with anti-rust coating
	Color	Black
Mounting	Type	Front Mount, Flush Mount, VESA-100 Mount
I/O Port	VGA	1 x VGA
	BNC	5 x BNC (standard analog video)
	DVI-D	1 x DVI-D
	DC-Power	1 x DC16~60V with military circular connector
Power Consumption	Power Consumption	38 Watts in total
Power Supply	Power Supply	Military power supply
	MIL-STD-1275A	Compliant
	Power Input	DC16~60V Wide Input
	Option	Option : AC90~264V
	Isolated	Yes, fully isolated
	Polarity Reverse	fully protection
Dimension	Dimension	482 (W) x 399 (H) x 82 (D) mm
Environmental	Operate Temperature	-10 to +55 degree C (32 to 131 degree F)
	Storage Temperature	-40 to +70 degree C (-24 to 158 degree F)
	Humidity	0~95% at 40 degree C, non-condensation
	Altitude (Operate)	Up to 30,000 ft
	Drip Proof	On front side
	Vibration	MIL-STD-810
	Shock	30g, 11ms, half sine
	EMC / EMI	MIL-STD-461E compliant
	MTBF	30,000 hours
	MTTR	30 minutes

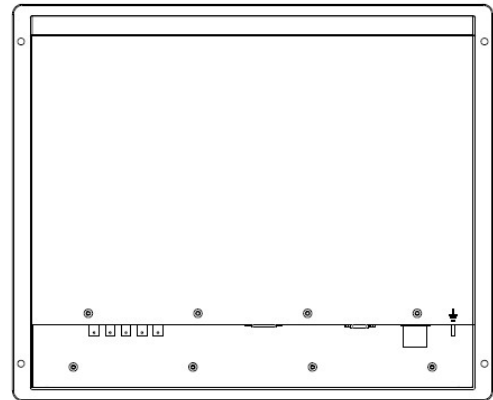
MECHANICAL DRAWINGS



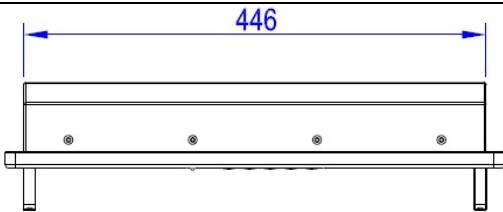
3D View



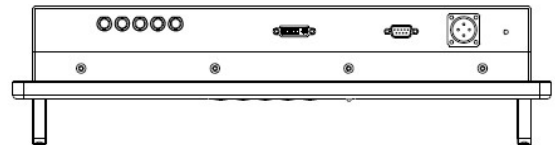
Front View



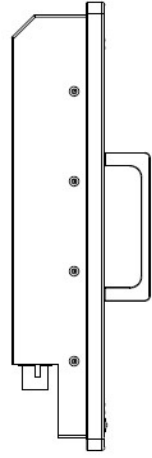
Rear View



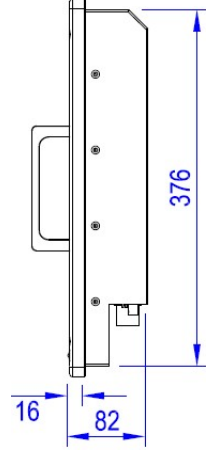
Top View



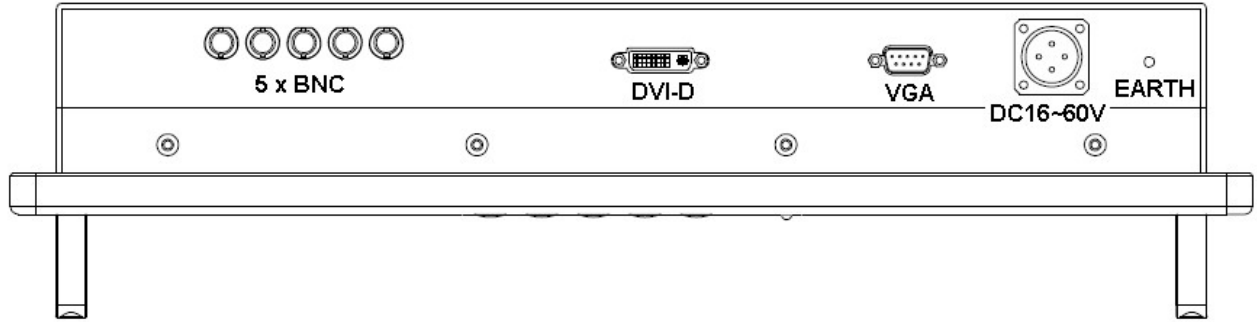
Bottom View



Side View 1



Side View 2



I/O Ports