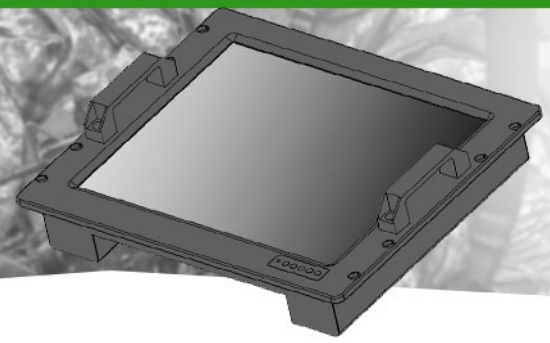


9U RUGGED RACKMOUNT MILITARY MONITOR

9U 19" Rugged Rackmount Military Monitor IP67 at front
 1280 x 1024, 400cd/m2, 1000:1 w/ VGA + DVI + HDMI, RS232
 Built-in patented heater module and thermo sensor
 DC9~36V Power Input, Adapter: AC90~264V 50/60 Hz



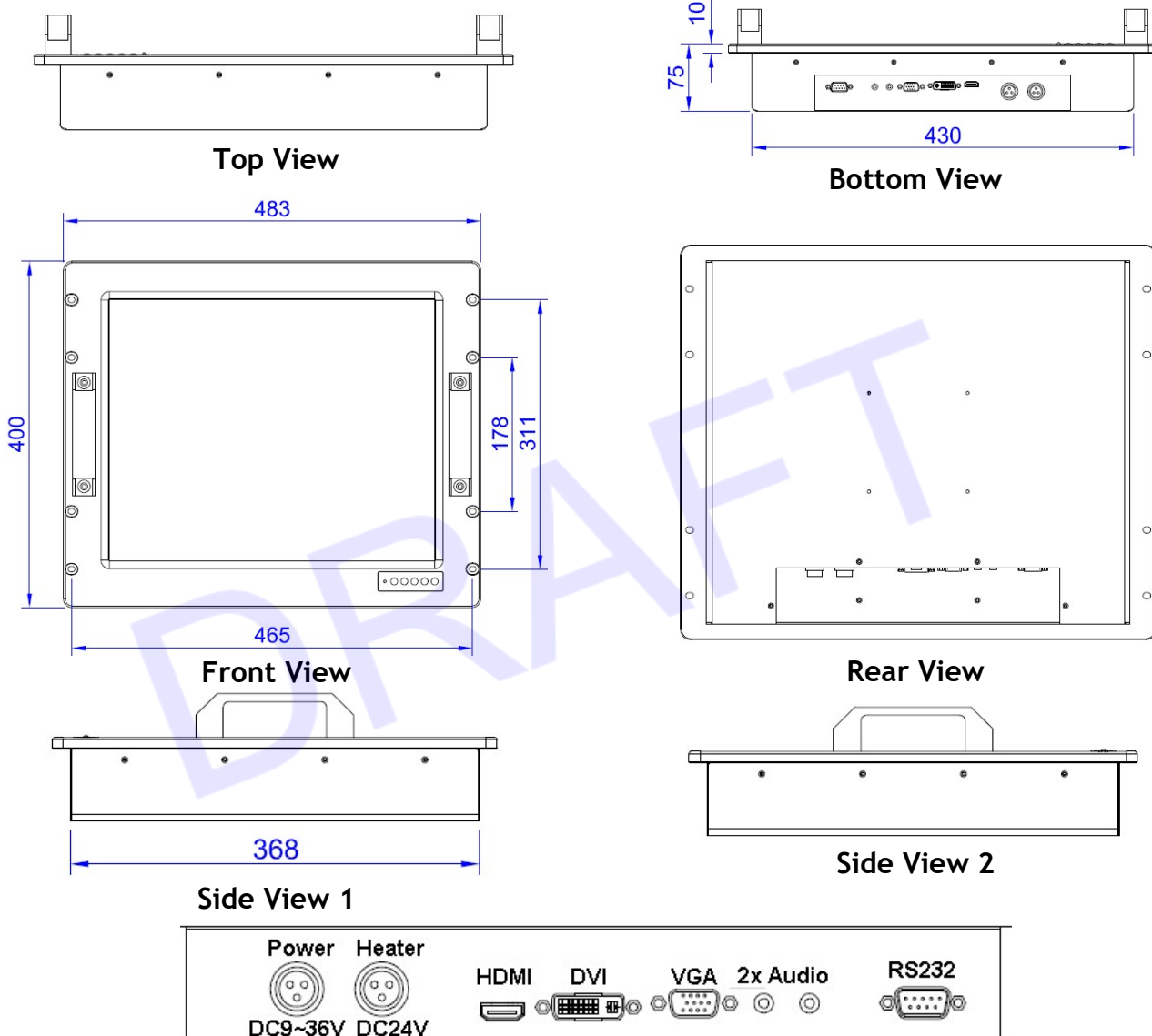
Model: Nmil-NP819-SGR

FEATURES:

- 19" TFT LCD
- Resolution: 1280 x 1024
- Brightness: 400nits
- Built-in patented heater module and thermo sensor
- MIL-STD-810F/G Method 507.4 Humidity
- MIL-STD-810F/G Method 514.5 Vibration
- MIL-STD-810F/G Method 516.5 Shock
- Storage: MIL-STD-810F/G Method 501.4 High Temperature
- Operation: MIL-STD-810F/G Method 501.4 High Temperature
- Storage: MIL-STD-810F/G Method 502.4 Low Temperature
- Operation: MIL-STD-810F/G Method 502.4 Low Temperature

MECHANICAL DRAWINGS:

This is subject to change without Notice. Final Drawings Will be Provided for Approval after Order.



Drawing No.: Nmil-NP819-SGR-10122022-V1

Modified Date: 10-12-2022

SPECIFICATIONS:

LCD Size	LCD Size	19" diagonal TFT LCD
Resolution	Resolution	1280 x 1024 SXGA
Aspect	Aspect Ratio	4 : 3
Brightness	Brightness	400 cd/m2
Contrast Ratio	Contrast Ratio	1000 : 1
Backlight	Backlight Unit	LED backlight
Viewing Angle	View Angle	85/85/80/80
Color	Color Pixel	16.7 million colors
Glass	Protection Glass	Built-in Strengthen Glass
OSD	OSD Buttons	Menu, Up, Down, Auto, On-Off switch
Dimming	Dimming Range	0 ~ 100% full range
Mechanical	Rackmount	19" Rackmount 9U height
	Mounting	Support Rackmount and VESA-100 Mount
	Front Bezel	Front sealed IP-67 aluminum front bezel
	Chassis	Rugged galvanized steel with anti-rust treatment
	IP Rating	IP-67 at front
Signal Inputs	Sync On Green	Support Sync On Green
	VGA	1 x D-sub 15 VGA port
	DVI	1 x DVI-D port
	HDMI	1 x HDMI port
	Serial	1 x RS232 serial port
Power Consumption	Power Consumption	Around 20~23 Watts
Power Input	Power Input	DC9~36V
	External Adapter	1 x External AC90~264V power adapter
Dimension	Dimension	483 (W) x 400 (H) x 75 (D) mm
Environmental	Operating Temperature	-40 to +70 degree C with Nagasaki-patented heater
	Storage Temperature	-40 to +85 degree C
	Operating Humidity	5% to 90% Relative Humidity, non-condensing
	Altitude	3024 meters (10,000 feet) above mean sea level
MIL-STD	Vibration	MIL-STD-810F/G Method 514.5
	Shock	MIL-STD-810F/G Method 516.7
	Humidity	MIL-STD-810F/G Method 507.4
	Transit Drop	MIL-STD-810F/G Method 516.5
	High Temperature	Operating : MIL-STD-810F/G Method 501.4 Storage : MIL-STD-810F/G Method 501.4
	Low Temperature	Operating : MIL-STD-810F/G Method 502.4 Storage : MIL-STD-810F/G Method 502.4