

TOUCH DISPLAY LCD

24" Touch Display, 1920 x 1200
1000 Nits, EMI mesh, Optical Bonding,
1 x VGA, 1 x HDMI, AC90~264V Power Supply

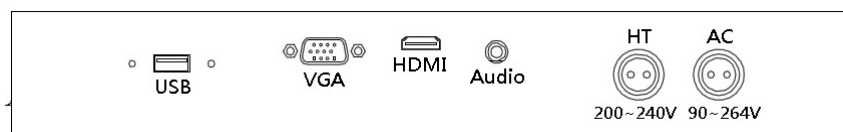
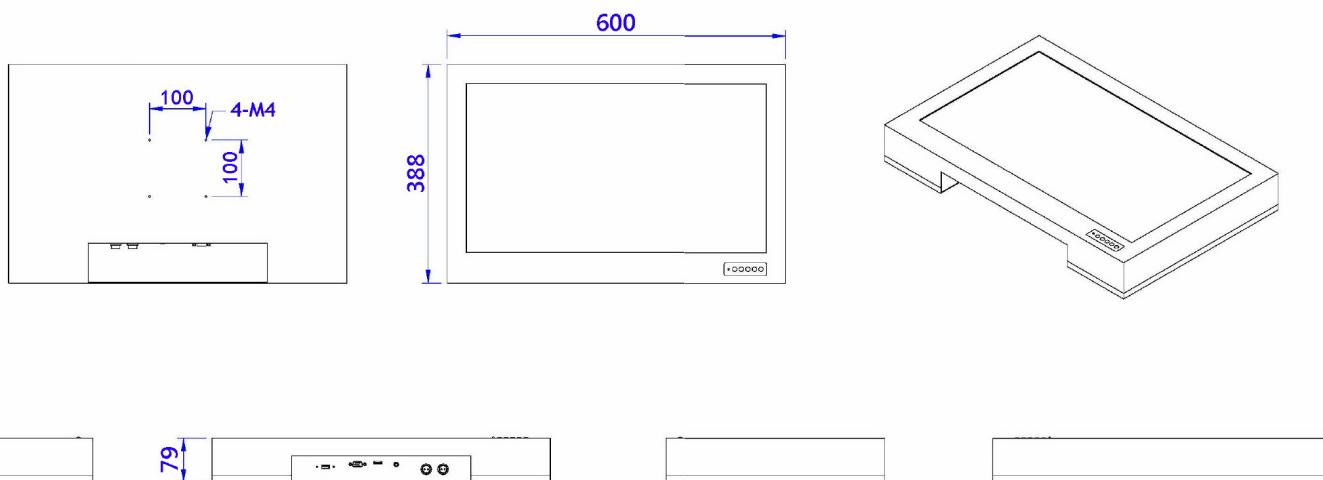


Model: NmiW2400-V1

SPECIFICATIONS:

Features	Display Size	24" TFT LCD diagonal
	Resolution	1920 x 1200 both analog and digital
	Aspect Ratio	16 : 10
	LED Backlight	LED backlighting
	View Angle	178 (H) / 178 (V) degree
	Color Depth	16.7 M
EMI	EMI Mesh	Yes, treated with EMI mesh
Optical Bonding	Optical Bonding	Yes, treated with optical bonding
Mechanical Specifications	Weight	14 Kgs maximum
	Dimension	600 (W) x 388 (H) x 79 (D)mm exclude bezel
	Paint & Finish	Anti-corrosion Paint
	Color	Black
I/O Port	VGA	1 x VGA analog port
	DVI	1 x DVI digital port
	Power Input	1 x AC 90~264V Power input range
Power Consumption	Power Consumption	Around 28 Watts max.
Environmental Specifications	Operating Temperature	0° to +50°C
	Storage Temperature	-10° to +60°C
	Humidity	85% at 40°C, non-condensing
	EMI / EMC	FCC Class A

MECHANICAL DRAWINGS:



I/O Port at Rear Bottom