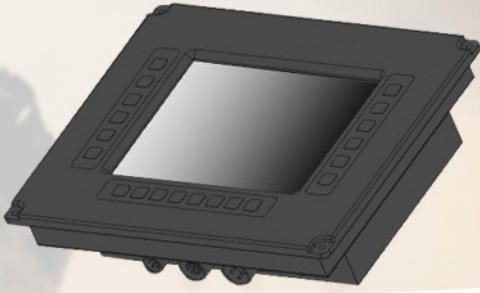


RUGGED INDUSTRIAL DISPLAY

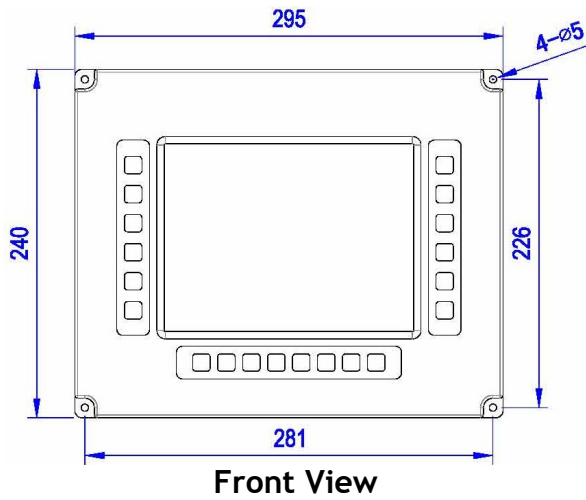
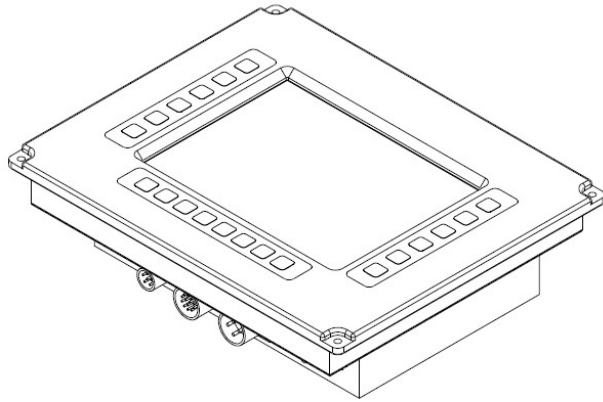
8.4" Rugged Display, 1024x768, 1000 cd/m2, VGA 20 Programmable Keys, DC9~36V, 1000 cd/m2 brightness, support -40 to +85 degree with 5-Wire Resistive Touch



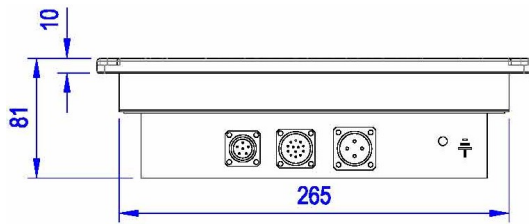
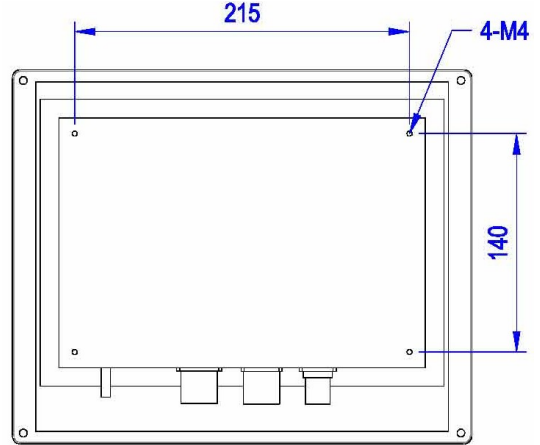
Model: NOT0840

SPECIFICATIONS:

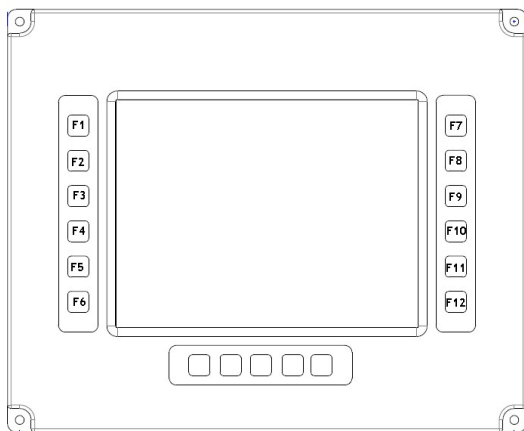
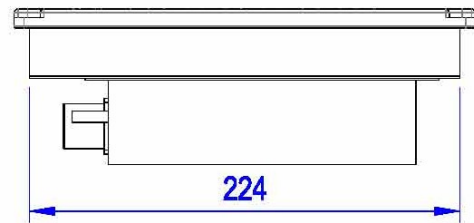
LCD Size	LCD Size	8.4" diagonal TFT LCD
Resolution	Resolution	1024 x 768
Aspect	Aspect Ratio	4 : 3
Brightness	Brightness	1000 cd/m2
Contrast Ratio	Contrast Ratio	1000 : 1
Backlight	Backlight	LED
LCD Module Temperature	Operating	-40° ~ +85°C for LCD Module
	Storage	-40° ~ +90°C for LCD Module
Color	Color Pixel	16.7 million colors
Touch	Touch Screen	5-Wire Resistive touch
Programmable Function Key (Optional)	Left Side	F1~F6, 6 Keys
	Right Side	F7~F12, 6 Keys
	Bottom	OSD Control Keys
	Interface	USB
OSD	Control Buttons	Menu, Up, Down, Auto, On-Off switch
Dimming	Dimming Range	0 ~ 100%
Front Bezel	Front Bezel	Rugged aluminum front bezel IP-66 100% Water Sealed Enclosure
Chassis	Chassis	Ruggedized and compact aluminum alloy and SS
Mounting	Mounting Type	Front mount, VESA-75 mount
Signal Input	VGA	1 x VGA with MIL-D-38999 military connector, dust cap, and mating 1 x RS232 (for touch) with MIL-D-38999 military connector, dust cap, and mating
Power Input	Power Input	DC : 9~36V
Power Consumption	Power Consumption	Around 15 W
Temperature	Operating Temp.	-40 to +70°C
	Storage Temp.	-40 to +90°C
Dimension	Dimension	(W) x (H) x (D) mm
Environmental	Operating	0 to 60 degree C
	Storage	-40 to +85 degree C
	Humidity	5% to 90% Relative Humidity, non-condensing
	Altitude	40000 Feet above mean sea level
	Vibration	MIL-STD-810 compliant
	Shock	MIL-STD-810 compliant
Enclosure	Aluminum Alloy with anti-corrosion treatment	
IP Rating	IP-66 Water-Sealed	
Altitude	support 40,000 FT	
Power Supply	MIL-STD-1275 compliant military power supply DC9~36V, 100W	



3D View



Rear View



Side View

