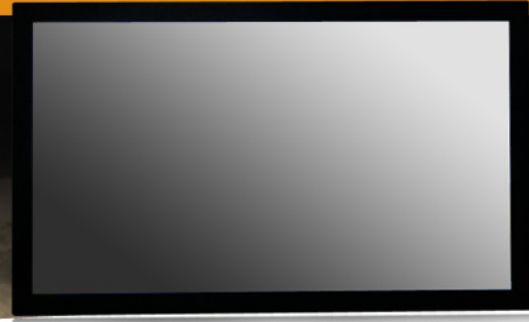


# RUGGED MILITARY PANEL PC

## 20.1" Rugged steel LCD Monitor with aluminum bezel

1600 x 1200 resolution, 300 cd/m2 brightness, VGA, DVI interface, IP-65 Water-resistant rating at front. 100~240V AC-DC or 11~32V DC input, 5-Wire Resistive Touch - Optional, 4096 x 4096 resolution. Meets industrial and vehicle vibration and shock standards

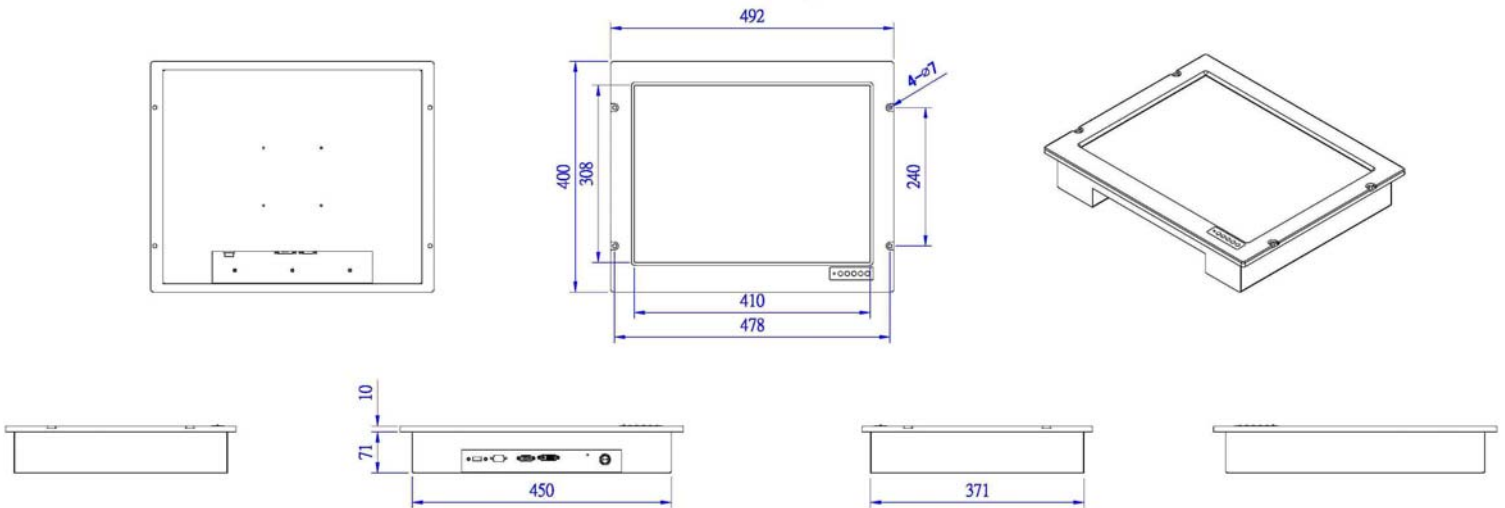
Model: **NPM-2010**



### FEATURES:

- 20.1" LCD
- 4096 x 4096 resolution
- 300 cd/m2 brightness
- VGA, DVI interface, IP-65 Water-resistant rating at front
- 100~240V AC input, Infra-red Touch as optional
- 5-Wire Resistive Touch - Optional

### MECHANICAL:



## SPECIFICATIONS:

<b>Housing Construction</b>	Rugged steel construction, metal chassis with solid aluminum front bezel
<b>IP Rating</b>	IP-65/66 Water-resistant rated at front
<b>LCD Display size</b>	20.1" TFT LCD color display
<b>LCD Resolution</b>	1600 x 1200 resolution (4:3 aspect ratio)
<b>Brightness of LCD (Luminance)</b>	300 cd/m2 high brightness
<b>Number of Colors</b>	16.77 millions colors.
<b>View Angle</b>	Left and right : 170 degree; Up and down : 160 degree
<b>Contrast Ratio</b>	1000:1
<b>Optical Response Time</b>	5ms
<b>Life of lamp tubes</b>	50,000 hours
<b>Color of housing</b>	Standard : Black Please specify the color if another color is requested
<b>Touch Screen : (optional)</b>	5-Wire Resistive Touch screen, 4096 x 4096 high resolution
<b>Touch Screen interface : (optional)</b>	USB interface or serial interface at your request.
<b>Wall-mount standard</b>	Support VESA-100 wall-mounting Support panel mount
<b>I/O Port</b>	Support VGA and DVI ports. Support S-Video input interface
<b>OSD control buttons</b>	On-Screen-Display buttons and Power switch button are located at front bezel. (If OSD buttons are preferred to locate on another side, please specify on your order.) This OSD buttons can control screen position Up, Down, Left, Right, Brightness, Contrast ratio, menu, power switch.
<b>Power Input</b>	AC 100-240V input power source Option : DC-DC power adapter
<b>Operation Temperature</b>	0~+50 oC
<b>Storage Temperature</b>	-20~+60 oC
<b>Shock &amp; Vibration</b>	Meets industrial and vehicle vibration and shock standards

