

8U Rackmount 21.5" widescreen LCD Display  
 1920 x 1080, LED Backlight PIP, VGA + DVI-D +  
 HDMI w/ speaker, 125VDC Input (Built-in) with  
 Terminal Block

Model: NPW8215-125VDC



NPW8215

1080p  
Full HD



### LCD Display Benefits

- 8U rackmount 21.5" widescreen LCD
- Support Full HD with 1080p resolution
- Green LED-backlit panel technology
- PIP & Picture by Picture viewing efficiency
- VESA and Rackmount multiple hole mounting
- Ideal for CCTV security & industrial control

### Options

- 3G/HD/SD-SDI Broadcast-grade input
- MCS Multi-display control solution
- F21" Touchscreen : Capacitive, Resistive, Multi-touch
- S-Video + Composite ( BNC ) or Audio input
- 48V, 24V or 125VDC power
- MIL-type or lockable connector

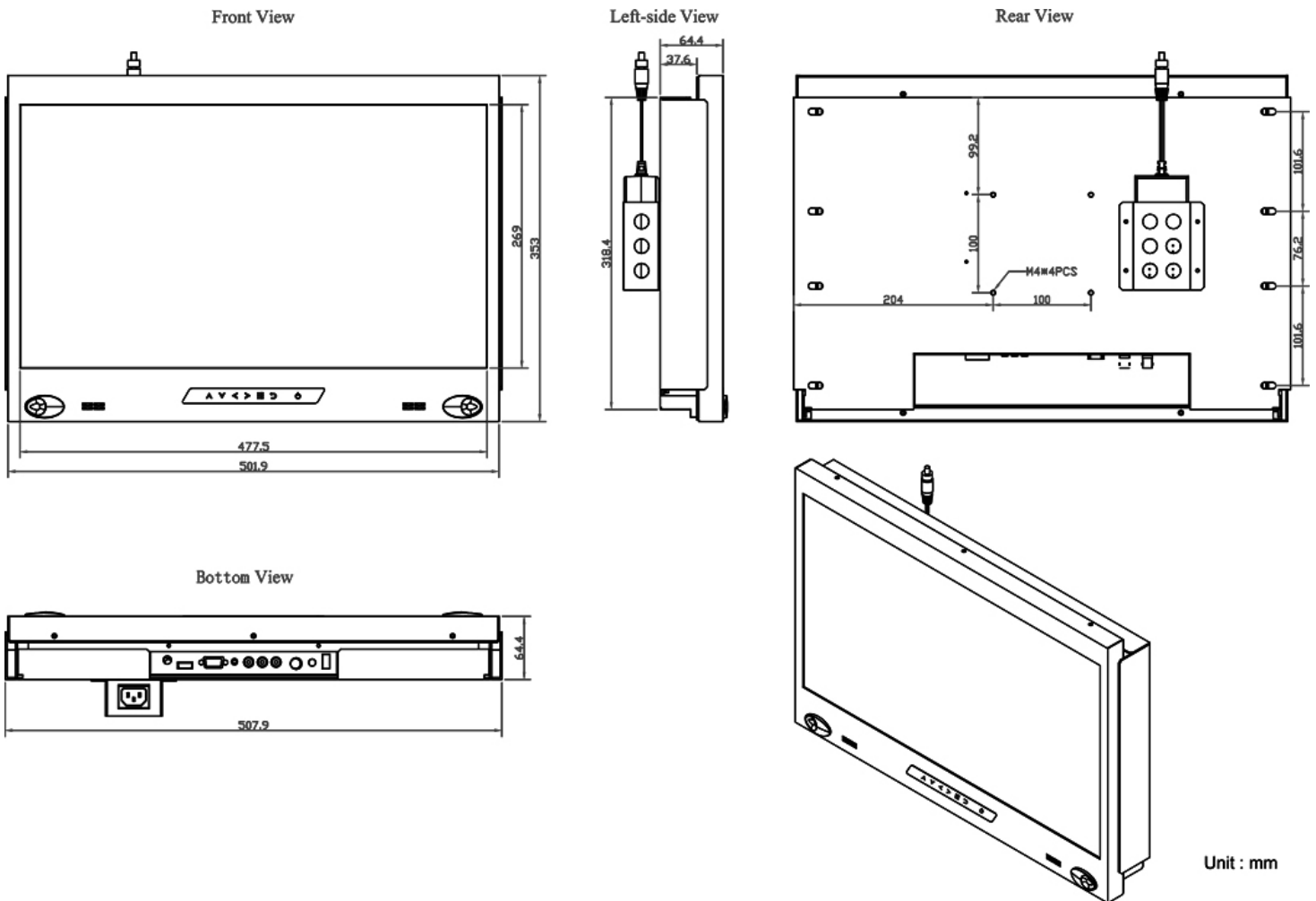


**Basic I/O:** DVI-D + VGA + HDMI w/ speaker  
**AV3.0 upgrade:** DVI-D + VGA + HDMI + BNC + S-Video + audio  
**Options:** SDI, USB for touchscreen & DC power

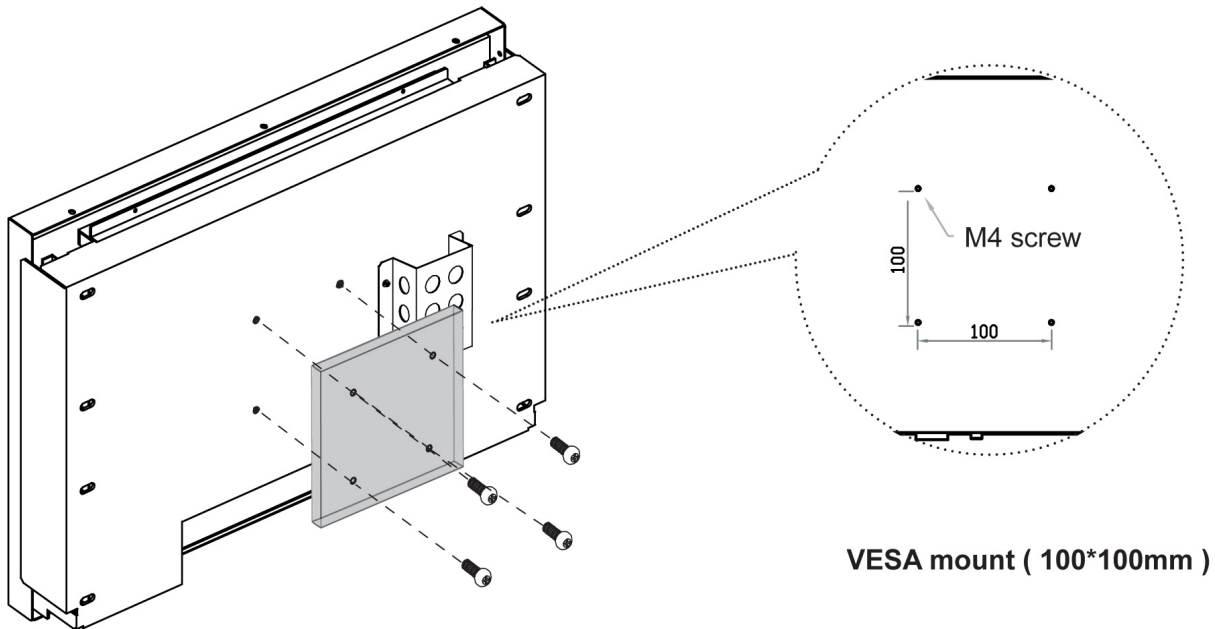
LCD Panel	
Manufacturer	Samsung
Diagonal size	21.5" widescreen TFT
Max. Resolution	1920 x 1080
Brightness (cd/m2)	250
Backlight	LED
Colors	16.7M
Contrast Ratio (typ)	1000 : 1
Viewing Angle (H/V)	170° x 160°
Active area (mm)	477 x 268
MTBF (hrs)	30,000
Signal input	VGA, DVI-D and HDMI
Sound	2 x 2W Power
Weight	
Net	7.5 kgs / 16.5 lbs
Gross	10 kgs / 22 lbs
Environmental	
Operating	0 to 50°C Degree
Storage	-5 to 60°C Degree
Relative humidity	5~90%, non-condensing

<b>Shock</b>	10G acceleration ( 11 ms duration )
<b>Vibration</b>	5~500Hz 1G RMS random vibration
<b>Casing Color</b>	Black front panel (RAL 9005) Dark grey rear case (RAL 7037)
<b>Mounting</b>	Rackmount, 8U VESA mount, 100*100mm
<b>Regulatory</b>	FCC, CE, RoHS
<b>Power</b>	
<b>Input</b>	Auto-sensing 100 to 240VAC, 50 / 60Hz
<b>Consumption</b>	Max. 48 Watt, Standby 5 Watt
<b>Dimensions</b>	
<b>Product</b>	501.9 x 64.4 x 353 mm/19.8 x 2.5 x 13.9 inch
<b>Packing</b>	555 x 124 x 537 mm/21.9 x 4.9 x 21.1 inch

Drawings:

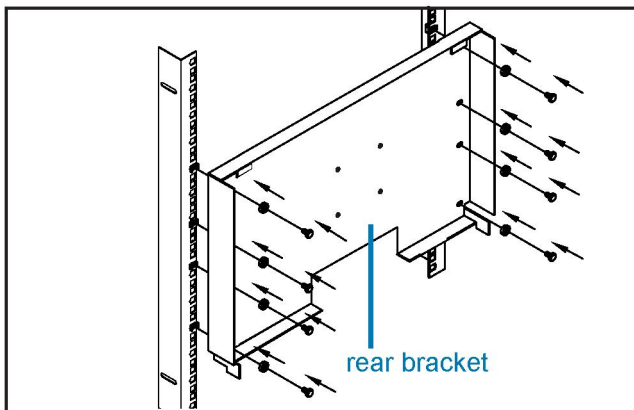


## VESA mount Installation



- Hardware and M4\*4 pcs for VESA mount are not provided

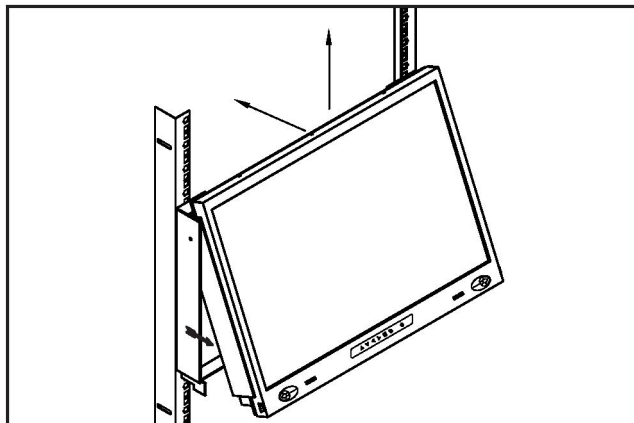
## Rear Mounting Bracket Installation



### Step 1

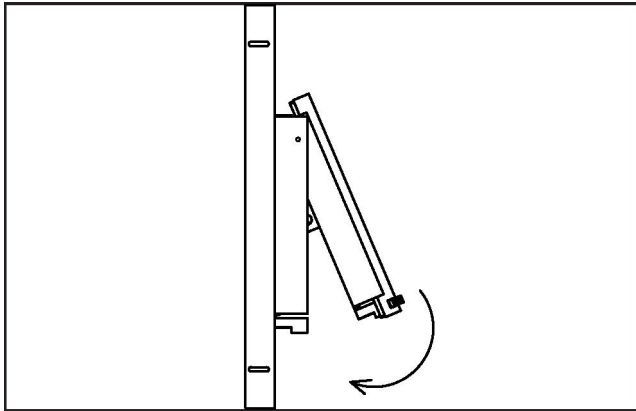
- Mount the rear bracket with M6 screw set.
- 8 x M6 screw set are required.

**M6 screw sets are not provided.**



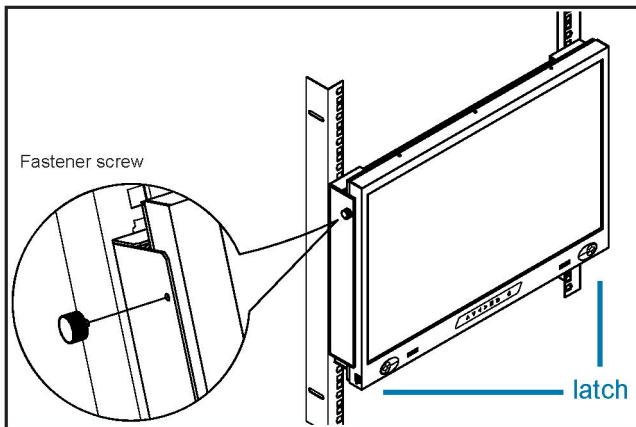
### Step 2

- Insert the upper part of the NPW8215 display panel into the rear bracket



### Step 3

- Push the lower part of the NPW8215 display panel into the rear bracket.



### Step 4

- Fix the NPW8215 display panel into the rear bracket with two fasteners (Left & right side).
- Lock the NPW8215 display panel by the latch (on the bottom left & right side).