

# RUGGED MILITARY RACKMOUNT LCD

## 9U Rackmount LCD 20.1" TFT Display Aluminium Front Bezel

Resistive touch screen - USB interface Rackmountable,  
2 handles at front bezel, 1600 x 1200 resolution, 300nits brightness  
standard port for VGA and DVI, 100~240V AC-DC power adapter  
Designed to meet MIL-STD-461E and MIL-STD-810F

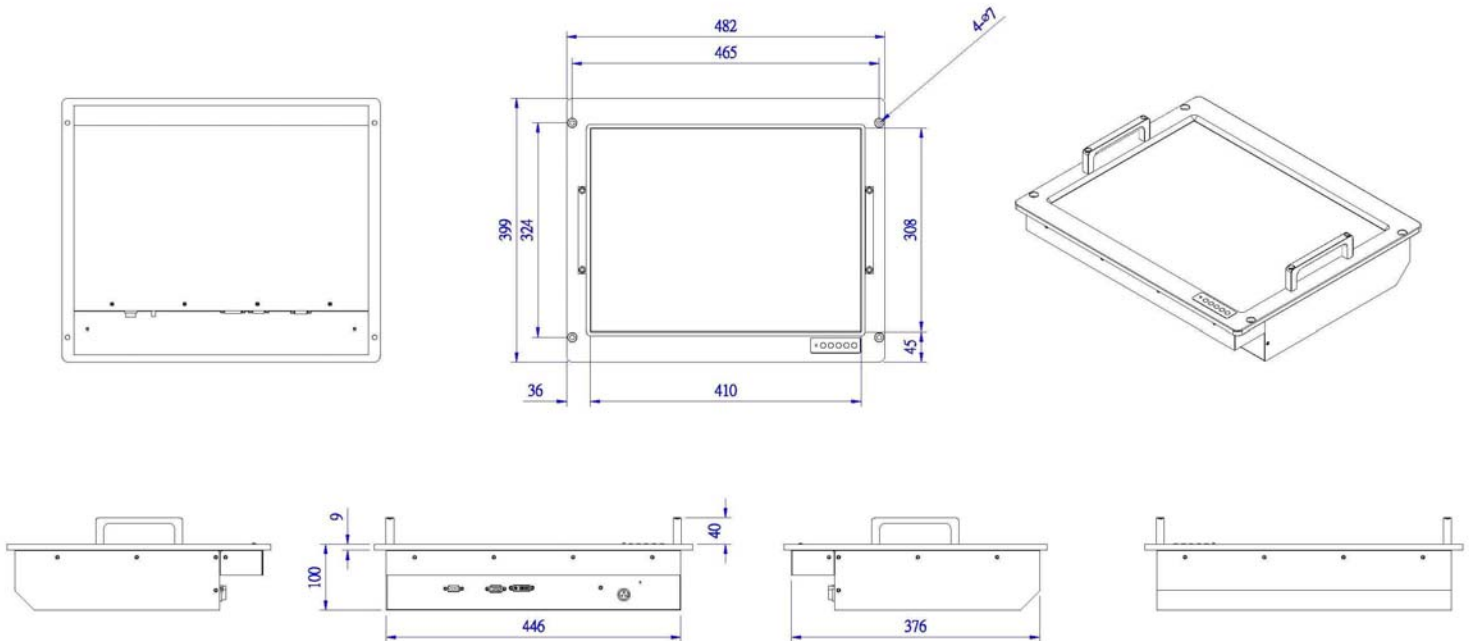
Model: **NRM2010B-TR**



### FEATURES:

- 1600 x 1200 Native resolution, 300 cd/m2 brightness, 160 horizontal/vertical viewing angle
- VGA connector with optional AV.SV.AV-Looping
- Modularize mechanical design provides flexible product configuration and easy maintenance
- Complete custom design/solution for OEM customers
- Optional build-in touch screen for interactive application

### MECHANICAL:



## SPECIFICATIONS:

<b>Panel</b>	Cell Type / Glass Surface	TFT LCD / Black Anti-Glare, low reflection coating	
	Aspect Ratio / Size	4 : 3 / 20.1" viewable diagonal area	
	Active Area / Pixel Pitch	408.0(H) x 306.0(V) mm / 0.255(H) x 0.255(V) mm	
	Native Resolution / Colors	1600(H) x 1200(V) / 16.7 Million	
	Brighness / Contrast	300 cd/m <sup>2</sup> (typ) / 1000 :1	
	Response Time	^ 8 ms	
	Viewing Angle (typical)	H. 160° (- 80° ~ + 80°) , V. 160°(- 80° ~ + 80°)	
	Light Source	CCFL , Long life, 50,000 hrs (typ)	
<b>Input Sources</b>	PC System	Signal	Analog RGB (0.7/1.0 Vp.p, 75 ohms)
		Sync	Separate Sync, Composite Sync, Sync On Green
		Frequency	F <sub>h</sub> : 30 - 82Khz , F <sub>v</sub> : 50 - 75Hz
	Audio System	2W Speaker x 2	
<b>Input Terminals</b>	1 x VGA (15 Pin Female D-Sub), 1 x PC Audio (Stereo Headphone Jack), 1 x AC inlet		
<b>Convenient Features</b>	Auto Calibration , Back Light Adjustment, Plug&Play (VESA DDC/CI, DDC 2B)		
	OSD Multi-Languages , Wall Mount Ready (VESA 100 x 100 mm)		
<b>Power</b>	Internal power supply with universal / Auto-Sensing, AC 90 to 260V, 50 / 60 Hz		
<b>Power Consumption</b>	Operation / Power Saving	40 watt, < 2 watt (Support DPMS)	
<b>Operating Condition</b>	Temperature / Humidity	Operating Temperature± -40°C to 70°C (-40°F to 158°F) (Designed to meet MIL-STD-810F)	
	Storage Condition	Temperature / Humidity - 20°C ~ 60°C (- 4°F - 140°F), 10% - 90% (no condensation)	
<b>Certification</b>	FCC,CE		
<b>Dimensions</b>	Physical	W x H x D = 482.0 x 400.0(9U) x 73.0 (mm)	
	Carton	W x H x D = TBD	
<b>Weight</b>	N.W. / G.W.	8.5 Kgs / 9.5 Kgs	
<b>Container Loaded</b>	20ft / 40ft / 40ft HQ	TBD	

<b>Options</b>	Touch	Video / TV	Enhanced Panel	Others
	Resistive (With glass)	SV + AV	Panel with LED backlight	Digital Signage(Stand alone)
	Capacitive	SV + AV + AV_ Looping	High brightness panel	Networking Digital Signage
	SAW	SV + AV + TV	Wide Temperature	Motion Sensor
			Sun Light Readable	Light Ssensor
			Auto-Dimming	

