

NVP Series

NETVIEW
KVM SWITCH SOLUTIONS

Model: NVP1417e/ NVP1417c / NVP1417b
1U Rack mount 17" TFT LCD monitor keyboard drawer



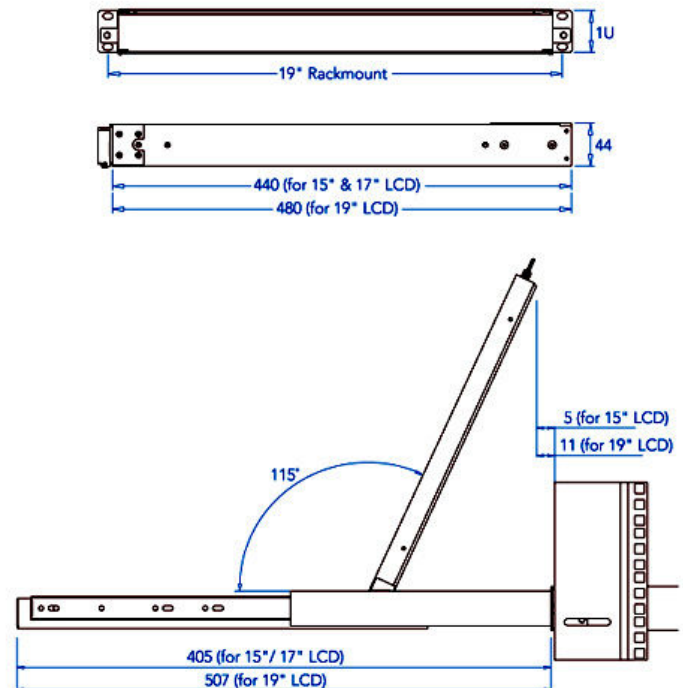
Features and Benefits:

- Only 1U (1.75" high) of vertical 19" rack-mount space.
- High-brightness 450-nit, TFT LCD Panel and high contrast-ratio active TFT LCD flat panel integrated folding display.
- 17" display supporting 1280 x 1024 resolution.
- Full 83-keys Windows keyboard (including a dedicated numeric keypad), and an integrated touch-pad pointing device. Optional for other keyboard type see Recommend Accessories for more details.
- Adjustable rear mounting support, up to 27-inches in depth.
- Smooth-operating sliding rails that self-lock when pulled all the way out.
- Removable power supply
- Built-in thumb screws for securing the unit when folded and pushed all the way in.
- Optional Keyboard Selection (touch-pad mouse, trackball, or cherry KB w/ trackball)

Special Design for your shallow Rack.

- Using only 1U of EIA rack space (1.75" high), the i-Tech's rack-mount integrated is designed for space-saving 19" rack-mount applications with short depth of 17" (15" and 17" LCD) and 19" (19" LCD).
- i-Tech's KVM drawers feature a fully functional 88-keys Windows keyboard an integrated touch-pad pointing device or 83 keys Cherry keyboard with trackball.
- i-Tech's KVM drawers feature a laptop-style tilting display that requires little pull out to tilt open, and doesn't intrude into the aisle space in front of the rack.
- Equipped with industrial-grade heavy-duty slide-out rails with depth-adjustable rear mounting support, i-Tech's KVM drawers can be mounted in any standard 19" server rack available in the market.

Mechanical Drawing:



Unit : mm

Specifications:

LCD	
Panel	Samsung 17" LCD Panel
Screen Type	TFT
Display Area	337.92(H) x 270.34(V) mm
Contrast Ratio	500 : 1
Viewing Angle	140 ° (H) x 120 ° (V) (Typ.)
Resolution	1280 x 1024
Pixel pitch	0.264(H) x 0.264(W) mm
Response Time	Tr=5ms, Tf=20ms (Typ.)
Brightness	300 cd/m2
Panel Color	16.2M
Back Light	4 CCFTs (Cold Cathode Fluorescent tube)
Video	
Horizontal Synchronization	64 - 80 KHz (Typ.)
Vertical Synchronization	60 - 75 Hz (Typ.)
Input Signal	Analog RGB 0.7Vp-p
Power Management	
VESA DPMS	
Control	
OSD Control	Brightness, Contrast, Colour, Clock, H.Position, V.Position, Phase, Scaling, Auto config, Input select, Multi window, Clear EEPROM, OSD adjust, Save
External Connection	
Power Input	12V/5A DC adapter
Video Input	15-pin D-Sub connector
Dimension	
Product dimension	44.2(W) x 4.45(H) x 44(D)cm
Packing dimension	69(L) x 57(W) x 14(H)cm
Keyboard Selections	
NVP1417e	Notebook type keyboard with touch pad mouse
NVP1417c	Cherry keyboard with trackball
NVP1417b	Notebook type keyboard with 3 buttons Trackball Mouse